

CSP 6620A

REGISTER NO.

SECRET-CRYPTO

CRYPTOGRAPHIC EQUIPMENT
PLANNING AND REFERENCE
GUIDE (U)

CSP 6620A

DEPARTMENT OF THE NAVY
OFFICE OF THE CHIEF OF NAVAL OPERATIONS
SEPTEMBER 1962

EXCLUDED FROM AUTOMATIC
DECLASSIFICATION FOR DIR 5200.10
PPLY

DO NOT REMOVE FROM BINDER

DECLASSIFIED per SEC 3.4 E.O. 12958
by Director, NSA/Chief, CSS
[Signature] date *27 Oct 98*

IT

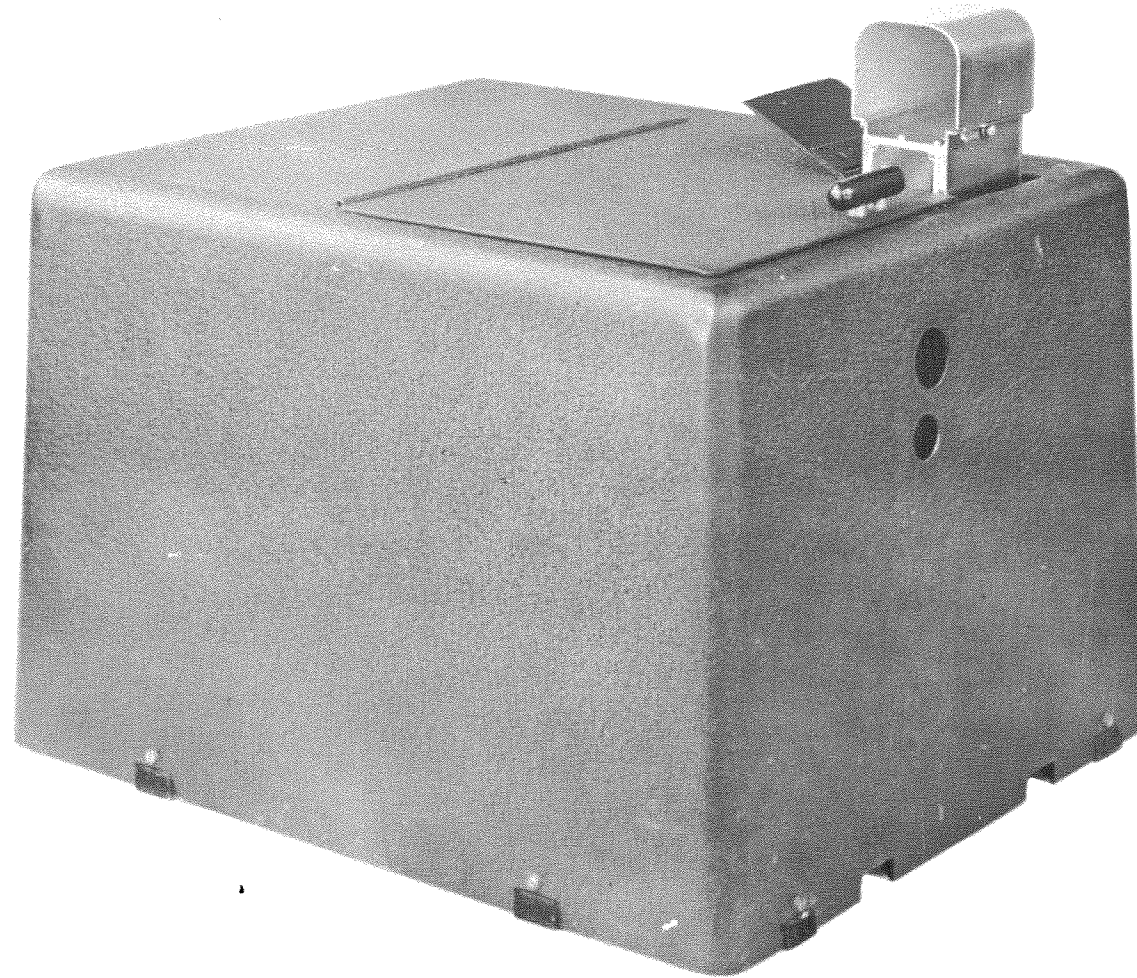
ORIGINAL
(Reverse Blank)

TSEC/KW-2

UNCLASSIFIED

TSEC/KW-2

CSP 6620A



PRODUCTION MODEL

UNCLASSIFIED

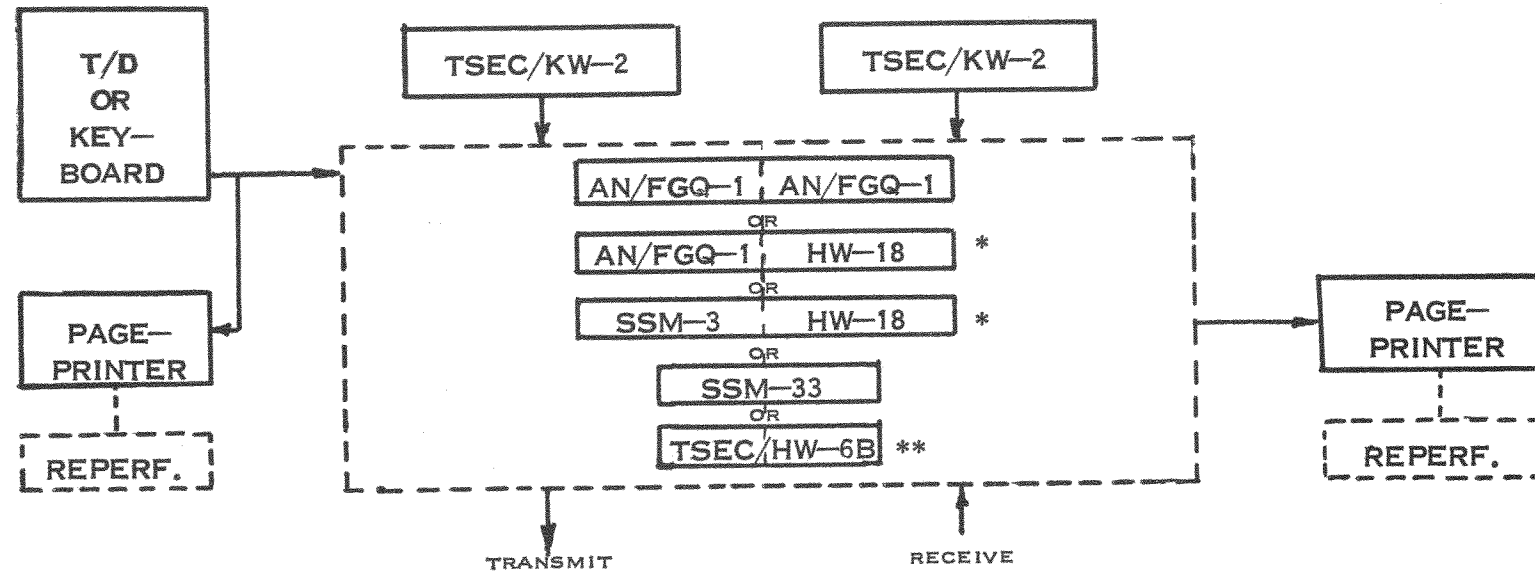
13-2

CORRECTED TO 6/9/62

ORIGINAL

DESCRIPTION	AN ELECTRO-MECHANICAL CIPHER MACHINE WHICH IS CAPABLE OF NON-SYNCHRONOUS ON/OFF LINE ENCRYPTION OR DECRYPTION OF RADIO OR WIRE TELETYPEWRITER SIGNALS. THE COMBINATION OF KEY AND PLAIN TEXT IS PERFORMED IN AN ASSOCIATED MIXER (SEE PAGE 13-4). ACCEPTS 32 CHARACTERS FROM REMOTE TELEPRINTER AT 60 WORDS PER MINUTE. ITS CRYPTO UNIT IS A WIRED ROTOR MAZE WITH AN INTEGRATED STEPPING MECHANISM. THE MAXIMUM LENGTH OF ENCIPHERMENT IS 6000 CHARACTERS OFF-LINE OR 12 HOURS OPERATION ON-LINE.														
STATUS	THE USE OF THE KW-2 HAS BEEN DISCONTINUED ON OPERATIONAL CIRCUITS. 300 ARE BEING RETAINED (COMPLETE WITH MODIFICATIONS) AT SPECIFIED STORAGE LOCATIONS TO BE USED ON THE CENSORSHIP NETWORK IN THE EVENT OF MOBILIZATION.														
TRAINING	NONE PRESENTLY REQUIRED.														
CRYPTOSYSTEM	GORGON														
CLASSIFICATION	EQUIPMENT: CONFIDENTIAL-CRYPTO														
PUBLICATIONS	MAINTENANCE: AFSAG-1208 (SECRET-CRYPTO) OPERATING: KAO-9 (SECRET-CRYPTO)														
PROCUREMENT (COST IN THOUSANDS)	UNIT COST	PAST		FY 1963		FY 1964		FY 1965		FY 1966		FUTURE		TOTAL	
	\$800	QTY	AMOUNT	QTY	AMOUNT	QTY	AMOUNT	QTY	AMOUNT	QTY	AMOUNT	QTY	AMOUNT	QTY	AMOUNT
PHYSICAL CHARACTERISTICS	HEIGHT	WIDTH		DEPTH		WEIGHT		VOLTAGE		POWER		REMARKS			
	11 1/8 IN.	18 7/8 IN.		14 1/4 IN.		73 LBS.		110 (60 CPS) OR 110 DC		250 WATTS		SEE UNDER STATUS			

GORGON
ON-LINE (ONE FULL DUPLEX TERMINAL SHOWN)



* THE HW-18 IS AUTHORIZED FOR USE IN THE RECEIVE MODE ONLY.
 ** THE HW-6B IS NO LONGER IN USE WITHIN THE NAVY.