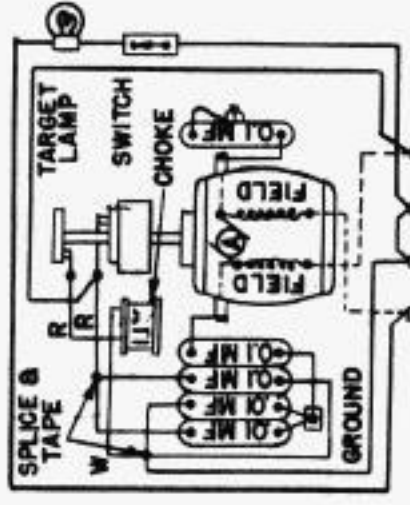


D.C. SHUNT MOTOR UNIT WITH FILTER (MU 28)



A.C. SERIES MOTOR UNIT WITH 99250 FILTER (FOR OPERATION ON 25 CYCLE POWER SUPPLY SEE NOTE 6)

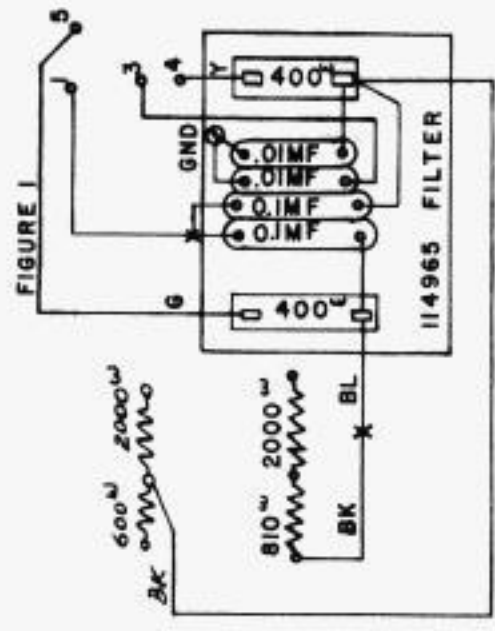
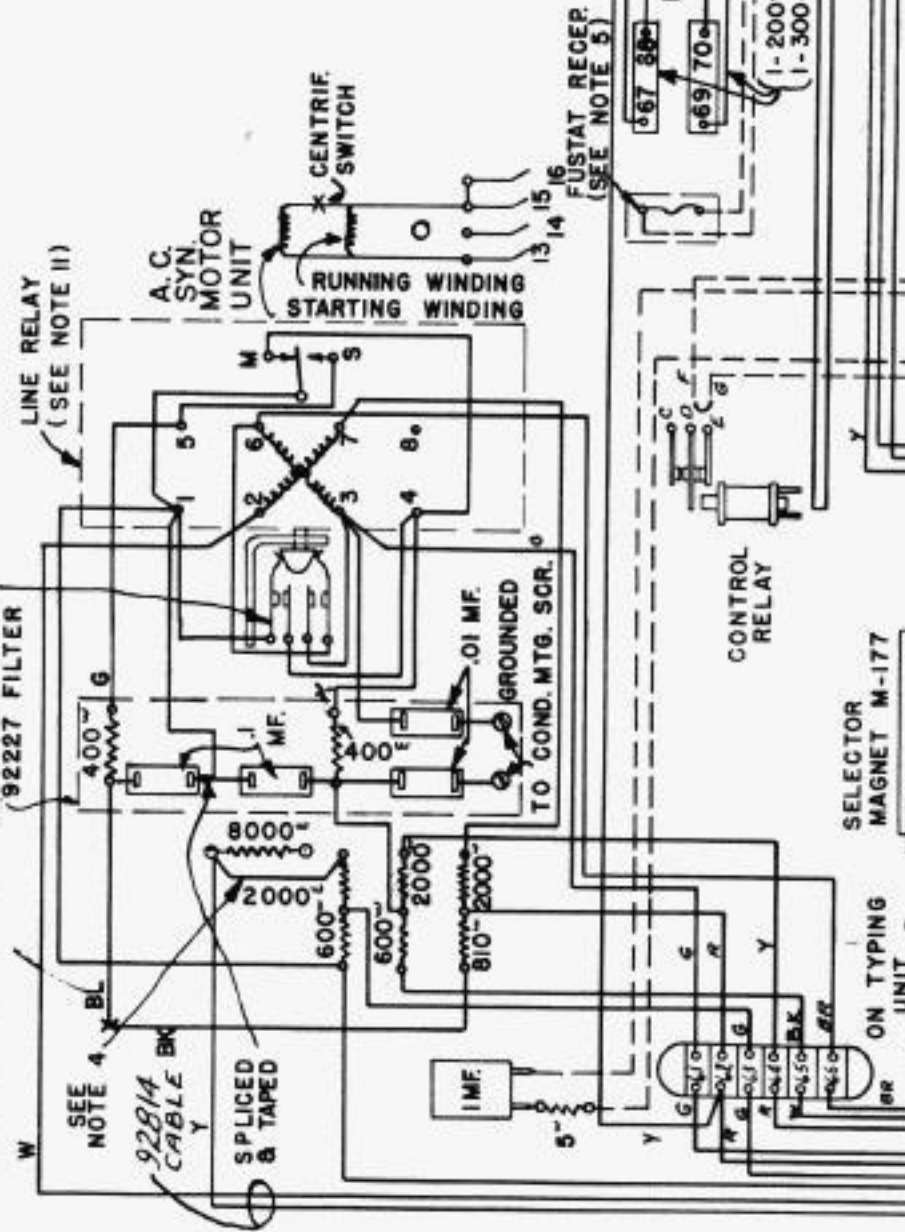


FIGURE 1

92227 FILTER REPLACED BY 114965 SEE FIG. 1



LINE AND SELECTOR CIRCUITS CLOSING JACKS (SEE NOTE II)

LINE RELAY (SEE NOTE II)

A.C. SYN. MOTOR UNIT

RUNNING WINDING STARTING WINDING

CENTRIF. SWITCH

FUJSTAT RECP. (SEE NOTE 5)

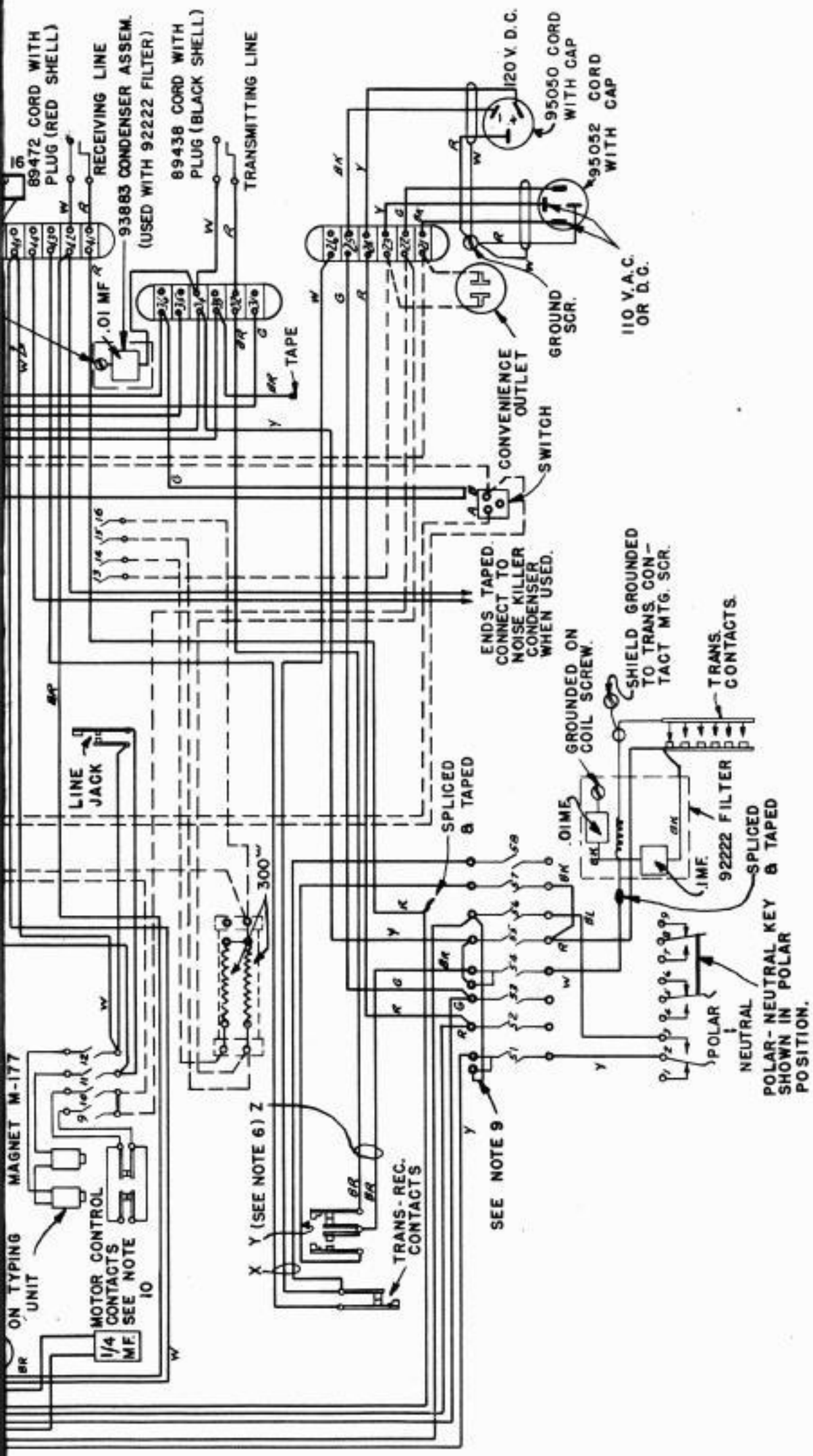
RESISTOR MOUNTINGS

GROUND TO COND. MTG. SCR.

NOTE 16

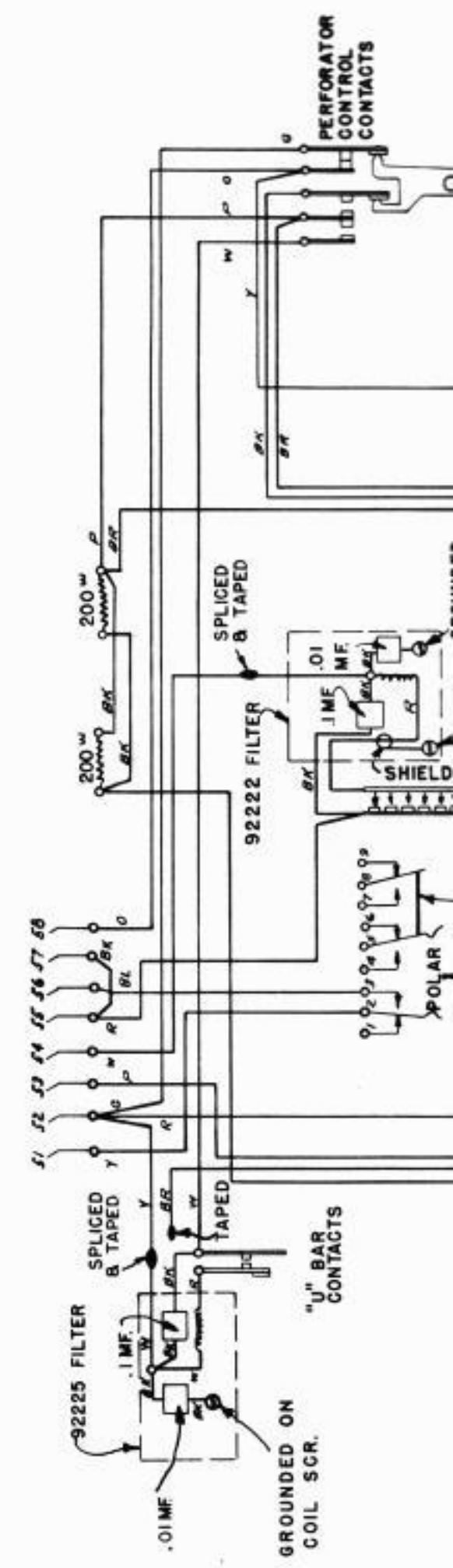
SELECTOR MAGNET M-177

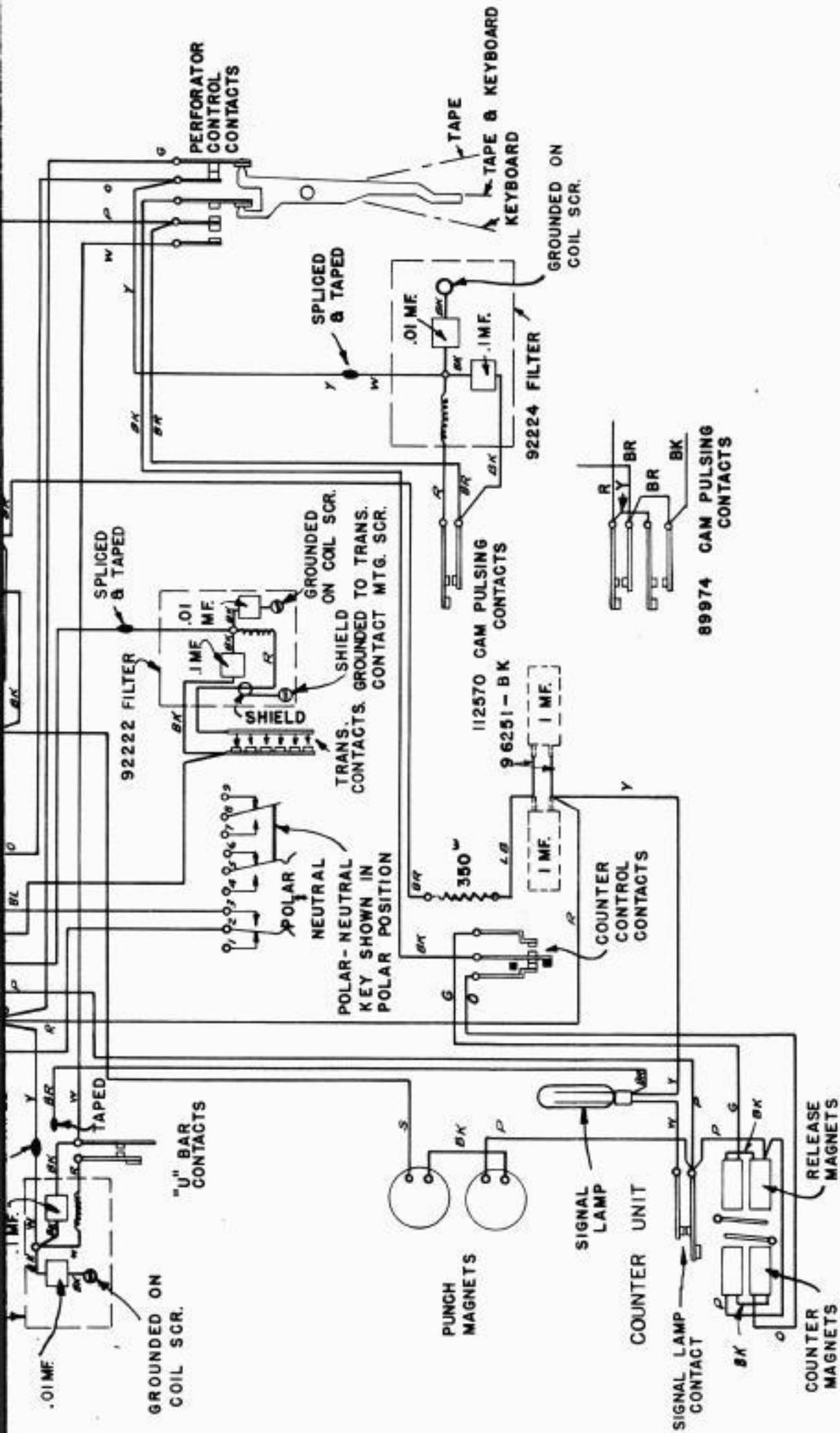
ON TYPING UNIT



KEYBOARD

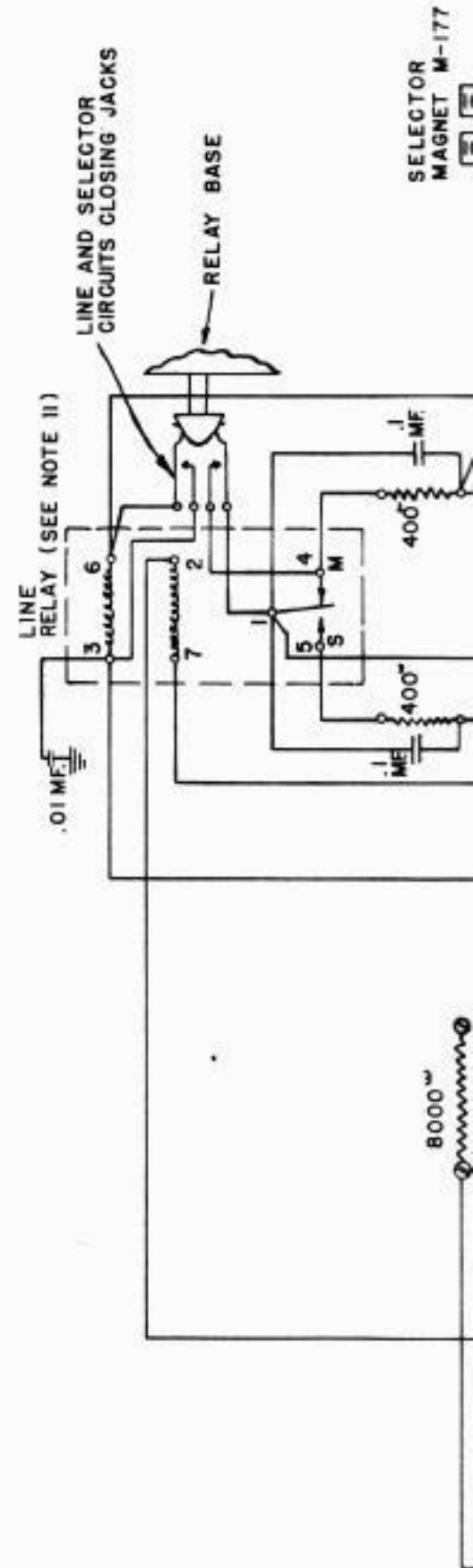
ACTUAL WIRING IS PRINTER SET WITH KEYBOARD





### ACTUAL WIRING - 15 TYPE PERFORATOR TRANSMITTER

(CHARACTER COUNTER UNIT MOUNTED ON PUNCH ASSEMBLY TO THE LEFT OF KEYBOARD)







SCHEMATIC WIRING - 15 TYPE PERFORATOR TRANSMITTER

## NOTES

1. CONTROL RELAY NOT WIRED AT FACTORY. WHEN CONTROL RELAY IS USED, WIRES SHOWN CONNECTED TO SWITCH ARE REMOVED, SPLICED TOGETHER AND TAPED. WIRE LOOPS AT SWITCH AND CONTROL RELAY COIL ARE TO RESPECTIVE UNITS. WIRE LOOP AT CONTROL RELAY CONTACTS IS CUT, "G" IS CONNECTED TO "E" FOR "BREAK" "C" FOR "MAKE OPER." "F" IS CONNECTED TO "D" IN EITHER CASE.
2. FOR "BREAK OPER" INVERT POWER SWITCH TO MAKE "ON" AND "OFF" DESIGNATIONS ON COVER AGREE WITH
3. TO OPERATE PRINTER WITHOUT LINE RELAY MOVE YELLOW WIRE FROM TERMINAL 62 TO 61; MOVE WHITE WIRE 65 TO 66; REMOVE AND TAPE GREEN WIRE GOING TO LINE RELAY FROM TERMINAL 61.
4. FOR .020 AMP. SIGNAL LINE OPERATION, CONNECT THIS LEAD TO OTHER TERMINAL OF RESISTOR.
5. RECOMMENDED FUSETRON OR FUSTAT (AND ALTERNATE FUSE) PROTECTION
 

MOTOR	FUSETRON OR FUSTAT	FUSE
110 V. AC-60 CYCLE SYN.	* 3.2 AMP.	6 AMP.
110 V. AC-60 CYCLE GOV.	* 1.60 AMP.	3 AMP.
110 V. DC GOV.	.8 AMP.	3 AMP.
110 V. AC-25 CYCLE GOV.	1.4 AMP.	3 AMP.

\* 16 & 3.2 AMP. FUSETRONS ARE FURNISHED WITH NEW 15 PTR. BASES
6. TO DISABLE SEND-RECEIVE BREAK MECHANISM:
  - A. SPLICE AND TAPE WIRES MARKED "X"
  - B. TAPE WIRE MARKED "Y"
  - C. SPLICE AND TAPE WIRES MARKED "Z"
7. EQUIPMENT SHOWN DOTTED IS UNDERNEATH UNITS.
8. WHEN A.C. SERIES MOTOR IS TO BE DRIVEN FROM 25 CYCLE POWER SUPPLY, A 25 OHM RESISTOR SHOULD BE IN THE POWER LEADS.
9. WHEN POLAR SIGNALS ARE USED, REMOVE JUMPER BETWEEN BACK CONTACT NO.51 AND SLIP CONNECTION COIL
10. CONTACTS SHOWN BETWEEN TERMINALS 9 AND 10 ARE PRESENT ON TYPING UNIT ONLY WHEN MOTOR CONTROL OR FIGURES "M" IS USED. WHEN MOTOR CONTROL IS USED, REMOVE STRAP BETWEEN 9 AND 10.
11. RY-28 RELAY (W.E. 215-H) - 85 OHMS PER WINDING (FOR .060 AMPERE SIGNALING ONLY)  
RY-30 RELAY (W.E. 255-A) - 136 OHMS PER WINDING (FOR .060 OR .020 AMPERE SIGNALING)
12.
 

WIRE COLOR CODE			
CODE	SOLID COLOR OR TRACERS IN WHITE WIRE	CODE	SOLID COLOR OR TRACERS IN WHITE WIRE
W	WHITE	P	PURPLE RED & BLUE TRACER
R	RED	S	SLATE
G	GREEN	BR	BROWN
Y	YELLOW	LB	LIGHT BLUE
O	ORANGE	BK	BLACK
13. ASSOCIATED CABLES:
 

74574	BASE (LINE)	74788	A.C. MOTOR UNIT	92814
74573	BASE (POWER)	104936	KEYBOARD & PERF. TRANS.	99881
74575	LINE RELAY UNIT	74625	SELECTOR MAGNET	83895
74571	D.C. MOTOR UNIT	74789	MOTOR CONTROL CONTACTS	
14. ALL WIRES ARE NO. 18 INSULATED WIRE, EXCEPT MOTOR LEADS.
15. THIN LINES INDICATE WIRES NOT IN CABLE.

16. CONNECT ONE OF THE IT IS NECESSARY TO MAGNET TYPE PRINT PARALLEL.

17. COVER LEADS AT LINE TEMPERATURE TUBING

ED, WIRES SHOWN CONNECTED TO "A" AND "B" ON  
 SWITCH AND CONTROL RELAY COIL ARE CUT AND CONNECTED  
 "G" IS CONNECTED TO "E" FOR "BREAK OPER" AND TO

INSTRUCTIONS ON COVER AGREE WITH OPERATION OF SWITCH.

TERMINAL 62 TO 61; MOVE WHITE WIRE FROM TERMINAL  
 TERMINAL 61.

TERMINAL OF RESISTOR.

### NOTES (CONT.)

16. CONNECT ONE OF THE 1000 OHM RESISTOR LEADS TO TERMINAL 45 WHEN  
 IT IS NECESSARY TO REDUCE THE NEGATIVE INTERNAL BIAS OF HOLDING  
 MAGNET TYPE PRINTERS WITH THE SELECTOR COILS CONNECTED IN  
 PARALLEL.

17. COVER LEADS AT LINE RELAY RESISTOR TERMINALS WITH HIGH  
 TEMPERATURE TUBING - RM60279.

A 25 OHM RESISTOR SHOULD BE CONNECTED

NO. 51 AND SLIP CONNECTION CONTACT NO. 56 ON BASE.

UNIT ONLY WHEN MOTOR CONTROL ON FIGURES "H",  
 P BETWEEN 9 AND 10.

(SIGNALING ONLY)  
 (AMPERE SIGNALING)

FOR UNIT                    92814 BASE  
 RD & PERF. TRANS.      99881 PERFORATOR & COUNTER (PERF. TRANS.)  
 OR MAGNET                83895 RESISTOR (PERF. TRANS.)  
 CONTROL CONTACTS

REVISIONS		
M	9-15-47	42749
N	3-4-49	46875
O	4-6-49	47129
P	5-24-49	47516
Q	6-14-49	47664
R	10-31-50	50312
S	2-13-51	50868

WD-2143-S

WIRING DIAGRAM  
 MODEL 15 PRINTER  
 WITH KEYBOARD AND  
 PERFORATOR TRANSM'R  
 INCL. RADIO FILTERS  
 BP-13, BP-22, BP-23, BP-93  
 BP-107, BP-116, BP-117  
 BB-44,  
 BK-22, BK-25,  
 PEX-25, PEX-26

DRAWN N.D.S.      APPROVED  
 W.F.H.                    R.V.F.

ENGR'D H.W.P.

FILE: 1-30.8A241

TELETYPE  
 CORPORATION