

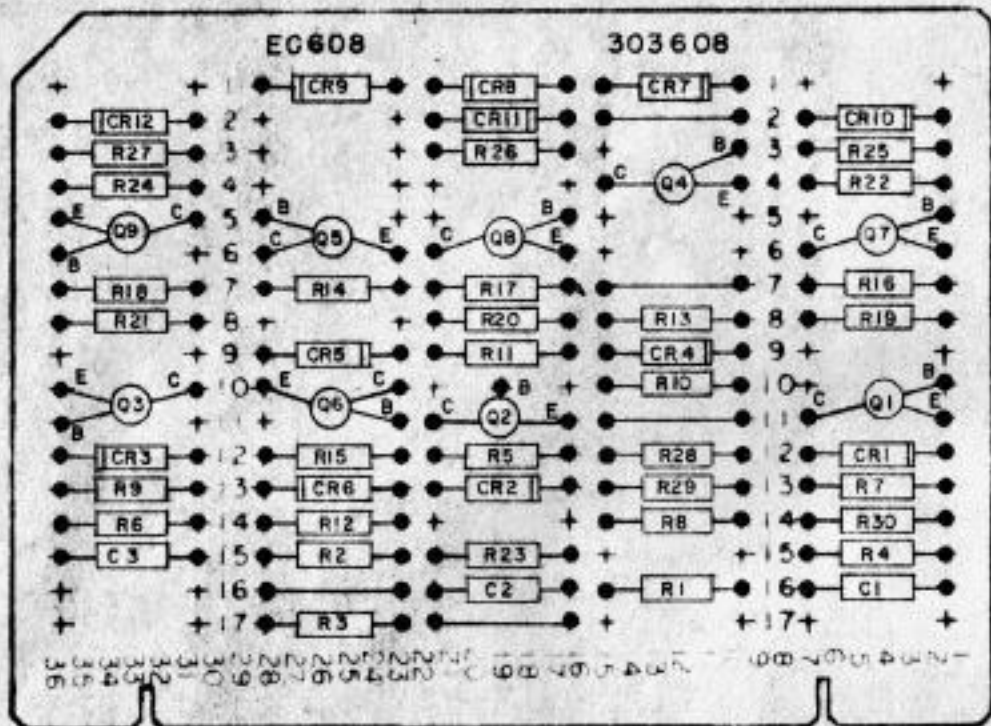
EC608
303608

POWER PULSER (3)

CIRCUIT BOARD EC608

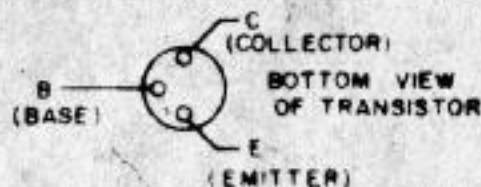
REVISIONS

ISSUE	DATE	AUTH	NO



300007

NOTE
REFER TO 6050WD FOR BASIC MARKING AND PRODUCTION INFORMATION



THIS CARD CONSISTS OF THREE IDENTICAL CIRCUITS THAT ARE USED TO PROVIDE A HIGH CURRENT 15-35 μ SEC PULSE UPON RECEIPT OF A 6 VOLT POSITIVE TRANSITION.

NORMALLY TRANSISTOR (6) IS ON AND TRANSISTOR (17) IS OFF AND THE EMITTER

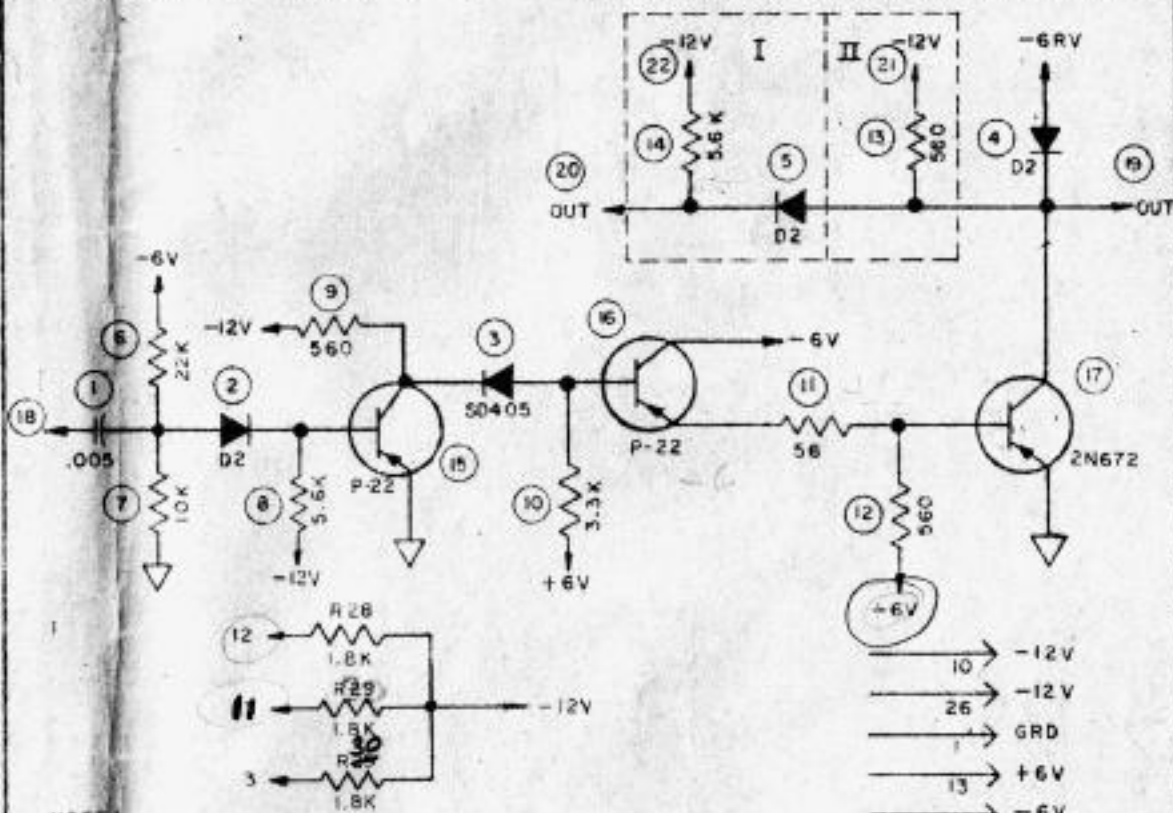
OF (16) IS SLIGHTLY POSITIVE WITH RESPECT TO GROUND. WHEN A -6VOLT TO 0 VOLT TRANSITION OCCURS AT PIN (18), TRANSISTOR (15) IS TURNED OFF, MAKING ITS COLLECTOR GO TO -6 VOLTS. THIS CAUSES THE EMITTER OF (16) TO BECOME -6 VOLTS, TURNING ON TRANSISTOR (17).

TWO ALTERNATE OUTPUTS ARE AVAILABLE FROM TRANSISTOR (17):

I WHEN THE OUTPUT IS TAKEN FROM PIN (20), DIODE (5) PREVENTS ANY POSITIVE PULSES ON THE LINE FROM APPEARING ON PIN (19). THE TIME AND AMPLITUDE OF THE OUTPUT PULSE WILL BE IN ACCORDANCE WITH CASE II. PIN (22) SHOULD BE CONNECTED TO -12 VOLT SUPPLY.

II IF CONNECTED AS SHOWN IN II THE OUTPUT AT PIN (19) IS A 6 VOLT POSITIVE PULSE. THAT CAN BE USED TO TRIGGER 40 FLIP-FLOPS AT A REPETITION RATE OF 3KC. PIN (21) SHOULD BE CONNECTED TO -12 VOLT SUPPLY.

OPTIONAL RESISTORS R28, R29, R30 CAN BE USED FOR LOADING OR BIASING PURPOSES.



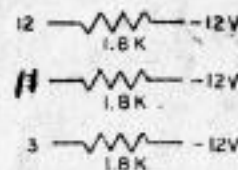
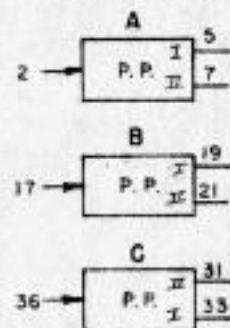
NOTE:
CIRCLED NUMBERS DESIGNATE COMPONENTS OR INPUT AND OUTPUT TERMINALS OF MULTIPLE CIRCUITS.

TABLE

	1	2	3	4	5	6	7	8	9	10	11
A	C1	CR1	CR4	CR7	CR10	R1	R4	R7	R10	R13	R16
B	C2	CR2	CR5	CR8	CR11	R2	R5	R8	R11	R14	R17
C	C3	CR3	CR6	CR9	CR12	R3	R6	R9	R12	R15	R18

	12	13	14	15	16	17	18	19	20	21	22
A	R19	R22	R25	Q1	Q4	Q7	2	7	5	4	6
B	R20	R23	R26	Q2	Q5	Q8	17	21	19	18	20
C	R21	R24	R27	Q3	Q6	Q9	36	31	33	34	32

SYMBOLS



REF DESIGN	TELETYPE PART NO	TOTAL QTY	NAME AND DESCRIPTION	LOCATING FUNCTION	REF DESIGN	TELETYPE PART NO	TOTAL QTY	NAME AND DESCRIPTION	LOCATING FUNCTION
C1-C3	137303	3	CAPACITOR, .005 MFD	INPUT CAPACITOR	Q7-Q9	177103	3	TRANSISTOR, (2N672)	AMPLIFIER
CR1-CR3	177108	9	DIODE, D2	GATE	EC	300007	1	CIRCUIT CARD, ETCHED	
CR4-CR6	177109	3	DIODE, SD405	COUPLING DIODE		144495	9	PAD, TRANSISTOR	
CR7-CR12			SAME AS CR1	CLAMP DIODE			5	STRAP, 24 AWG BARE	
R1-R3	118117	3	RESISTOR, 22K OHM	DIODE BIAS					
R4-R6	129854	3	RESISTOR, 10K OHM	DIODE BIAS					
R7-R9	118186	6	RESISTOR, 5.6K OHM	BASE BIAS					
R10-R12	143659	9	RESISTOR, 560 OHM	COLLECTOR LOAD					
R13-R15	129851	3	RESISTOR, 3.3K OHM	BASE BIAS					
R16-R18	177122	3	RESISTOR, 56 OHM	BASE INPUT					
R19-R21			SAME AS R10	BASE BIAS					
R22-R24			SAME AS R10	COLLECTOR LOAD					
R25-R27			SAME AS R7	DIODE BIAS					
Q1-Q3	177105	6	TRANSISTOR (P22)	INVERTOR					
Q4-Q6			SAME AS Q1	EMITTER FOLLOWER					

R & D USE ONLY

APPROVALS	
AND R	F OF M
E NUMBER	
PROD NO 303608	
DATE 11-14-63	
PD FILE NO G-A, 553, 219A	
DRAWN P.K.	CHKD <i>JS</i>
ENGR D.L.	APPR <i>APK</i>
TELETYPE CORPORATION	