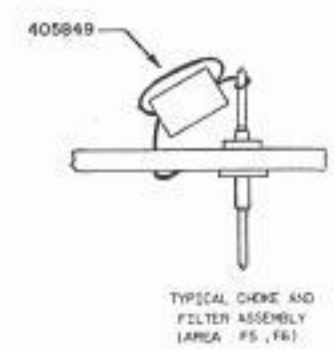
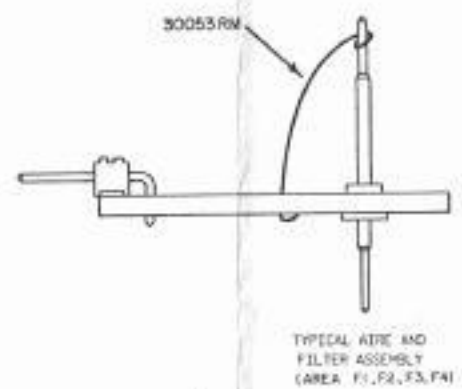
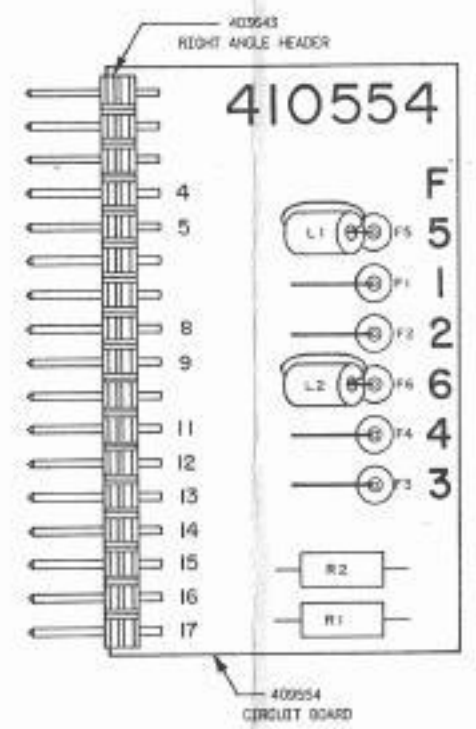


REF. DESIG.	PART NO. REQ.	QTY	DESCRIPTION
F1	342872		FILTER
F2			SAME AS F1
F3	402087		FILTER
F4			SAME AS F3
F5			SAME AS F1
F6			SAME AS F1
L1	405849		R.F. CHENE
L2			SAME AS L1
R1	335405		RESISTOR, 2200, 1/4W
R2	335605		RESISTOR, 150, 1/4W
	403643		RIGHT ANGLE HEADER
	30053RM		WIRE
	409554		CIRCUIT BOARD

NOTE: MANUFACTURE PER MR2001



SIMILAR TO:

REVISIONS					
CUSTOMER DESIGNATION	DATE	VERSION	ASSOCIATED NOTE	ISSUING OFFICE	COMPLETION DATE
I	A				8-14-75
A/TL NO. 23982R					
CIRCUIT CARD					
CC554					
FILTER CIRCUIT CARD ASSEMBLY					
APPROVALS					
PROJ. SUPV.	ENGR. OR	MFG. REL. COMPL.			
ENGR. R. S. L.	ENGR. E. M. R.				
DRAWN J. J. A.	DATE 4-28-75				
E-ALARM					
30-03 MO 2354					
R & D FILE NO. 0-03-1724A					
TELETYPE					
410554					