

ISSUE CONTROL RECORD

4726 WD

NO.	NOTES	SUPPORTING INFORMATION	
		CATEGORY	NO.

CONTENTS

SHEET NO.	ISSUE																		
	2	3	4	5	6	7	8	9	10	11	12	13	14	15	16	17	18	19	
1	X	X	X	X	X	X													
2	X	X	X	X	X	X													

REVISIONS APPLYING TO THIS CONTROL RECORD

ISSUE	DATE	AUTH. NO.
1	6-28-67	64581
2	7-11-67	64581

ISSUE CONTROL SHEET 1 OF 1

ACTUAL & SCHEMATIC WIRING DIAGRAM FOR 192002 ANSWER BACK ASSEMBLY (8 LEVEL)

WD NUMBER	4726WD
DRAWN	JMD
CHKD.	BOG
ENGD	GM
APPD.	HJK

TELETYPE CORPORATION

4726 WD

REVISIONS

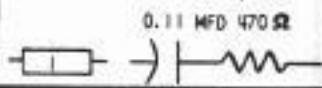
ISSUE	DATE	AUTH. NO.
12	8-8-62	74188
13	8-20-62	74234
14	2-18-63	74246-1
15	2-2-63	81563
16	8-28-67	94310
17	7-11-67	94311

NOTE: REVISION INFORMATION MUST ALSO BE REFLECTED ON THE ISSUE CONTROL RECORD, WHICH IS A PART OF THIS DRAWING.

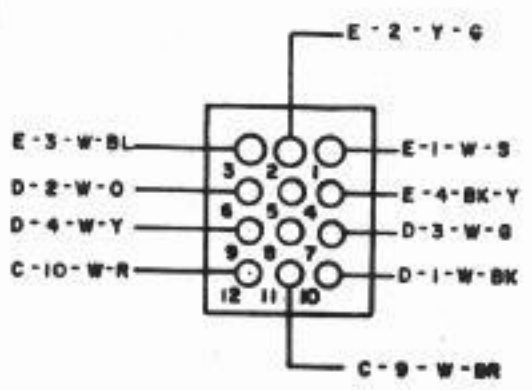
ACTUAL WIRING DIAGRAM

- NOTES**
- WIRING LEGEND:**
 DISTANT TERMINATING AREA
 DISTANT TERMINATING DESIGNATION
 A-1-W-BL
 WIRE COLOR CODE
 - COLOR CODE:**
 W-WHITE B-SLATE
 P-PURPLE BL-BLUE
 G-GREEN Y-YELLOW
 O-ORANGE R-RED
 BR-BROWN BK-BLACK
 - CONNECTORS VIEWED FROM CRIMP ENDS.
 - ASSOCIATED CABLE 192051.
 - FOR NON-REPEAT OPERATION:
 CONNECT A4 TO A6, A3 TO A7, AND APPLY CONTROL POWER TO A7 AND A10.

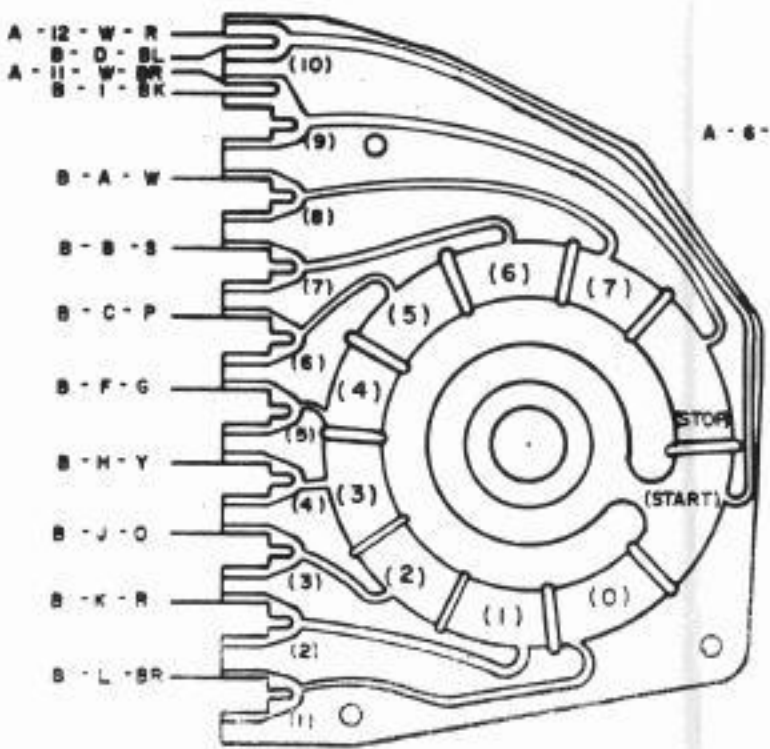
 FOR PULSED OPERATION:
 OMIT CONNECTIONS FROM A4 TO A6 AND A3 TO A7. APPLY CONTROL PULSE TO A9 AND A10.
 - 153631 FILTER NETWORK (NOT INCLUDED ON SOME UNITS)
 0.11 MFD 470Ω



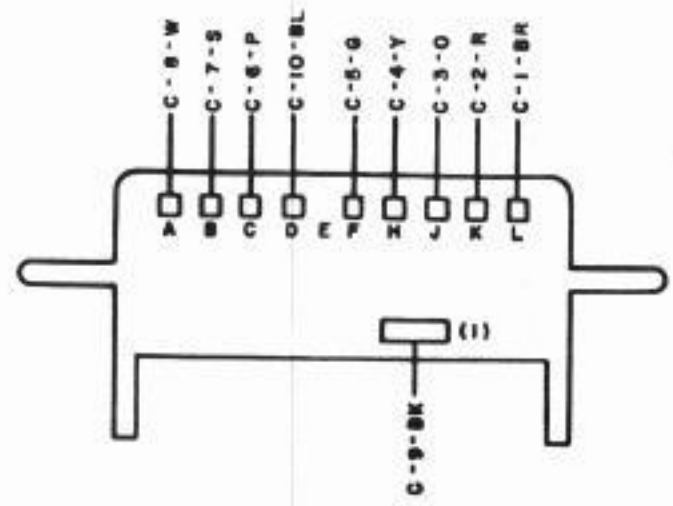
A
CONNECTOR, RECEPTACLE
182648



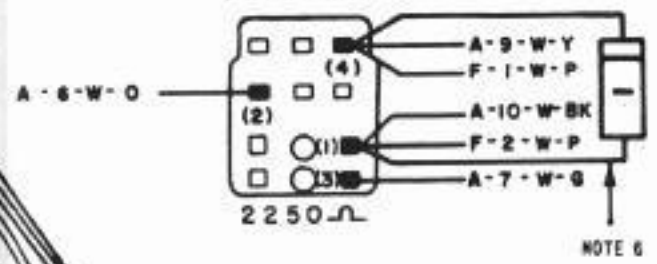
C
DISTRIBUTOR DISC
180987
(8 LEVEL)



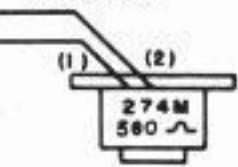
B
CONTACT BLOCK
180823



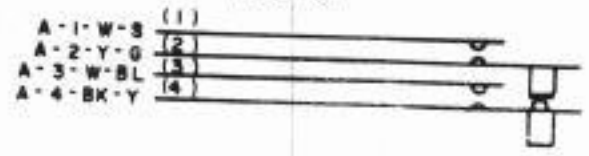
D
NON-REPEAT RELAY
192049



F
CLUTCH TRIP MAGNET
(AC/DC)



E
CONTACT ASSEMBLY
W/ BRACKET
192225



SEE ISSUE CONTROL RECORD FOR COMPLETE LIST OF SHEETS COMPRISING THIS W.D. SHEET 1

ACTUAL & SCHEMATIC WIRING DIAGRAM FOR 192002 AND 324483 ANSWER BACK ASSEMBLY (8 LEVEL)

APPROVALS

D AND R	E OF M
---------	--------

NUMBER

PROD. NO. 4726WD

DATE:

P.D. FILE NO.

DRAWN L.J.F. CHKD. B.G.G.

INSD. BY APPD. N.J.K.

TELETYPE CORPORATION

SCHEMATIC WIRING DIAGRAM

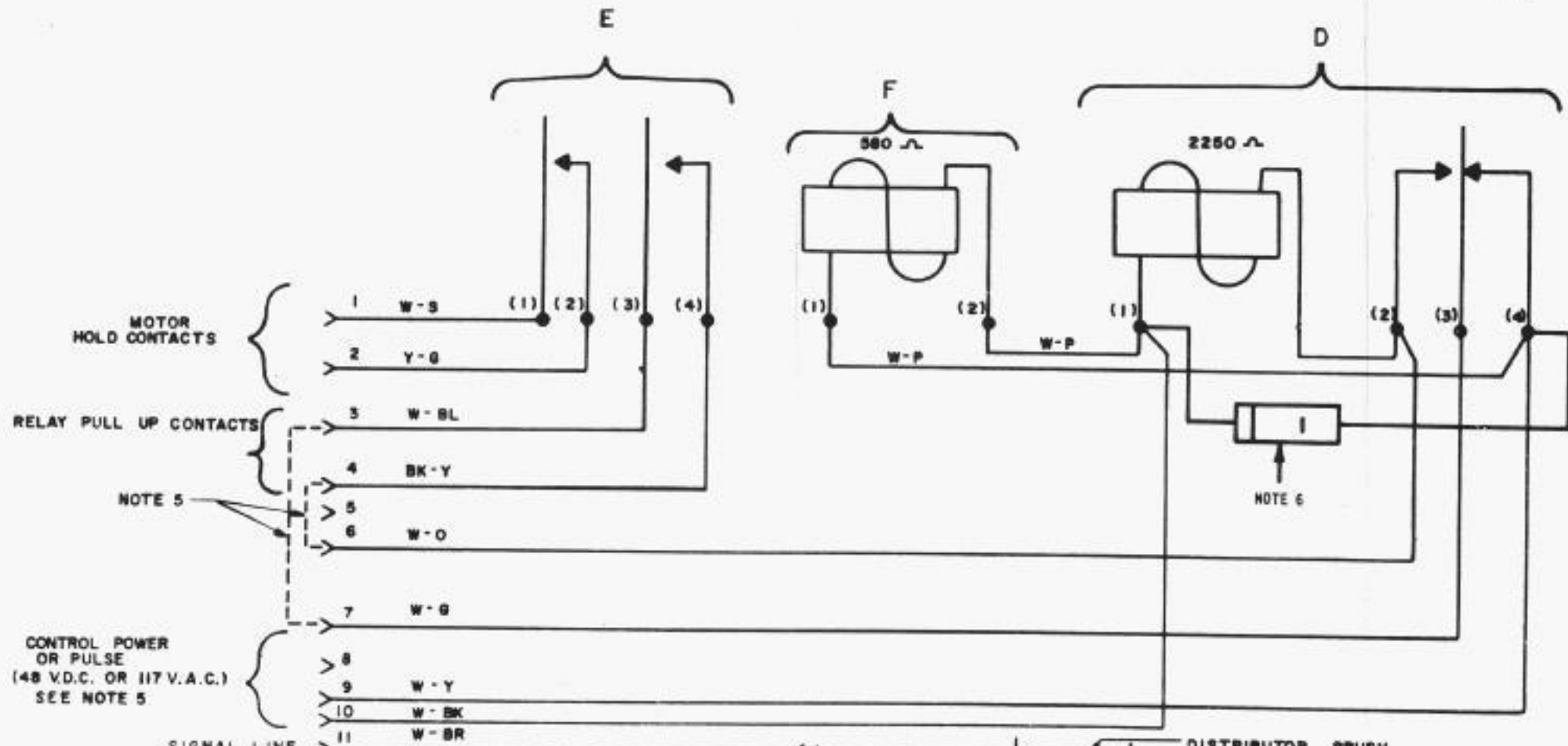
SEE SHEET 1 FOR NOTES

NOTE: REVISION INFORMATION MUST ALSO BE REFLECTED ON THE ISSUE CONTROL RECORD, WHICH IS A PART OF THIS DRAWING.

4726 WD

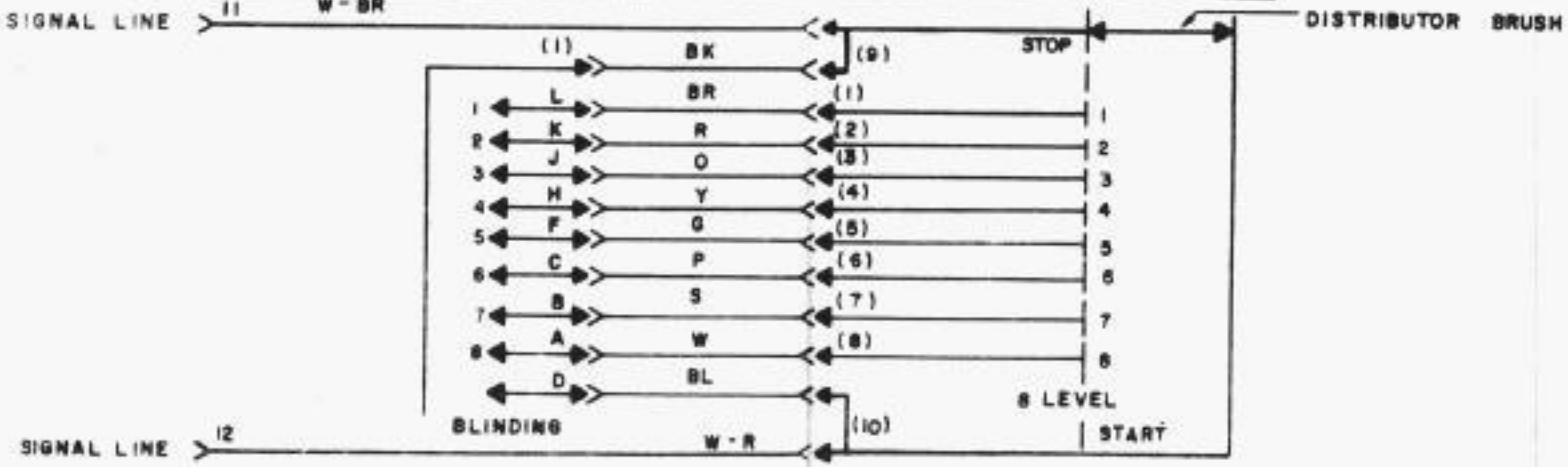
REVISIONS

ISSUE	DATE	AUTH. NO.
22	8-8-62	74183
23	8-20-62	74324
24	2-18-63	74296-1
5	8-2-63	81563
6	6-28-67	94201
7	7-11-67	94311



SEE ISSUE CONTROL RECORD FOR COMPLETE LIST OF SHEETS COMPRISING THIS W.D. SHEET 2

ACTUAL & SCHEMATIC WIRING DIAGRAM FOR 192002 AND 324483 ANSWER BACK ASSEM. (8 LEVEL)



APPROVALS

D AND R E OF M

E NUMBER

PROD NO. 4726WD

DATE

P.O. FILE NO.

DRAWN L.J.F. CHKD B.G.G.

APPD. BY APPD. M.J.K.

TELETYPE CORPORATION

4726 WD