
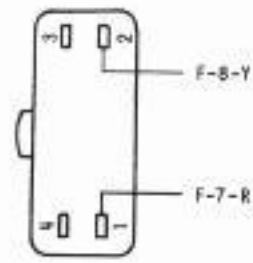


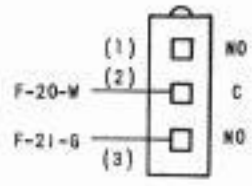
- NO. NOTES**
1. **WIRING LEGEND:**

 DISTANT TERMINATING AREA
 DISTANT TERMINAL DESIGNATION
 WIRE COLOR CODE
 2. **COLOR CODE:**

BK - BLACK	W-BK - WHITE-BLACK
BR - BROWN	W-BR - WHITE-BROWN
R - RED	W-R - WHITE-RED
O - ORANGE	W-O - WHITE-ORANGE
Y - YELLOW	W-Y - WHITE-YELLOW
G - GREEN	W-G - WHITE-GREEN
BL - BLUE	W-BL - WHITE-BLUE
P - PURPLE	W-P - WHITE-PURPLE
W - WHITE	W-S - WHITE-SLATE
S - SLATE	
 3. CONNECTOR VIEWED FROM BOTTOM.
 4. * ASTERISK DENOTES 18 GA. WIRE.
 5. THE 195648 STRAP IS NOT PRESENT IN EARLY MANUFACTURED UNITS.
 6. THE 192318 STRAP IS PRESENT ONLY ON LK811 & 817.
 7. 154166 ARC SUPPRESSOR PRESENT ON LK817 ONLY. DISCONNECT ONE ARC SUPPRESSOR LEAD WHEN STROBING SIGNAL GENERATOR.
 8. TIMING CONTACT NOT PRESENT ON LK817.

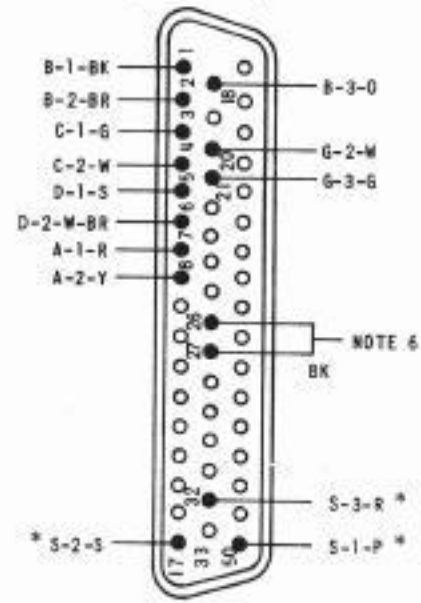
A
158163
MARGIN
INDICATOR SWITCH



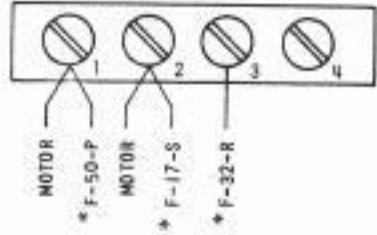
G
BREAK RELEASE
SWITCH 151329
LK 817 ONLY



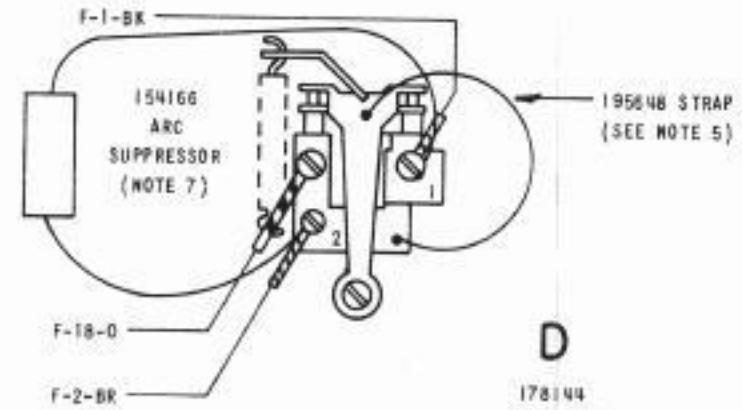
F
192013
KEYBOARD CONNECTOR
(SEE NOTE 3)



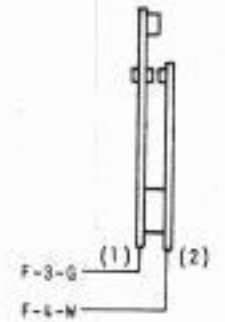
S
151415
MOTOR TERMINAL BLOCK



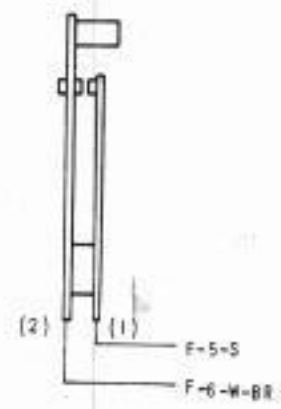
B
176352 OR 197019
KEYBOARD
SIGNAL GENERATOR



C
324010
192485 OR 319946
TIMING CONTACT
(NOTE 8)



D
178144
KEYBOARD
UNIVERSAL CONTACT



REVISIONS		
ISSUE	DATE	AUTH. NO.
9	11-25-66	9197E-1
10	5-1-67	93362
11	6-14-72	6199

ACTUAL
WIRING DIAGRAM
FOR MODEL 35
KEYBOARD

LK801	LK802
LK805	LK809
LK807	LK811
LK808	LK817

APPROVALS

PROJ. SUPV.	PROJ. DIR.	MFG. REL. COMPL.
ENGR. WMB	DSGMR.	
DRN. F.E.R.	DATE 7-11-72	
R & D FILE 1-30.151AA		
S-NUMBER		



5812 WD