

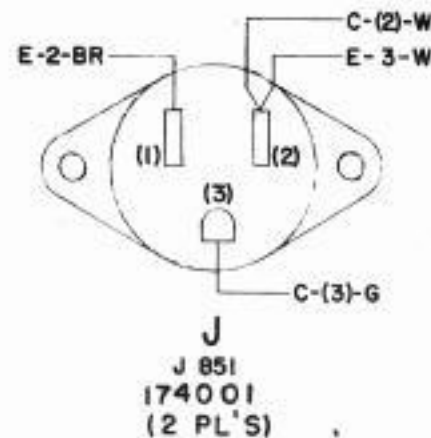
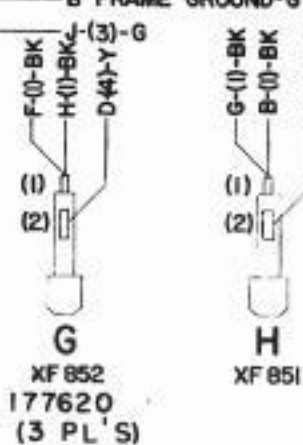
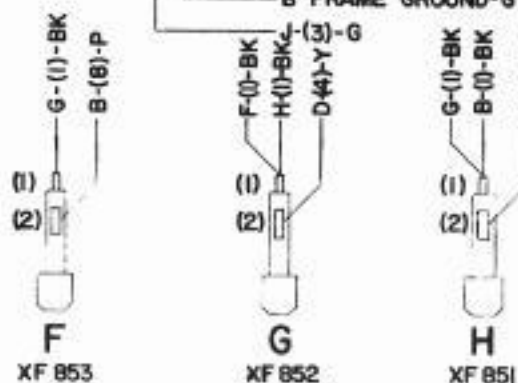
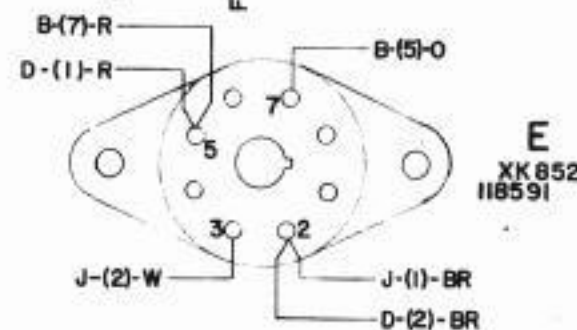
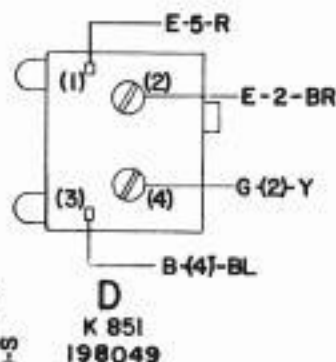
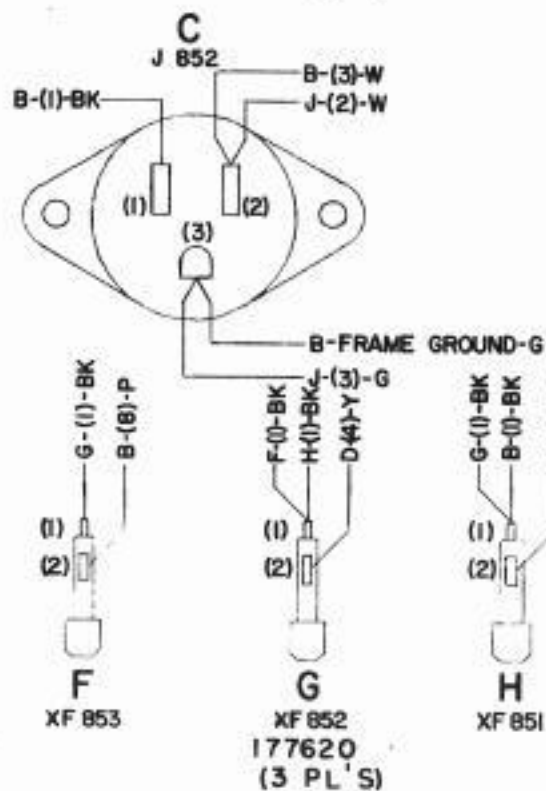
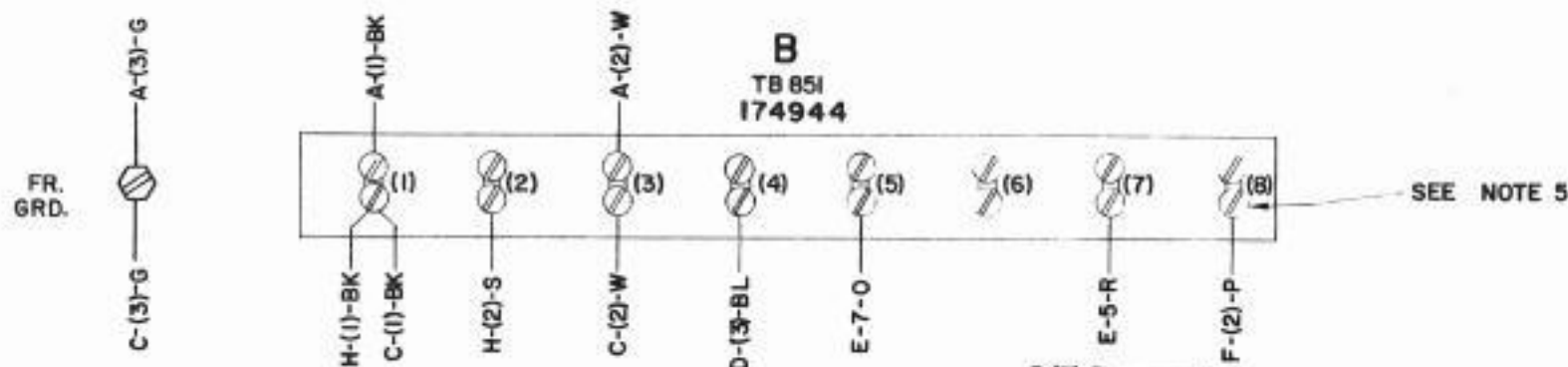
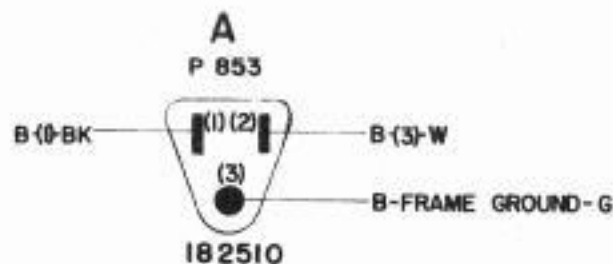
ISSUE	DATE	AUTH. NO.
2	3-30-65	86358
3	8-16-66	88033

- NO. NOTES
- REFER TO 6442 WD FOR SCHEMATIC.
  - WIRE COLOR CODE**

BK	-	BLACK	-	RM 31880
W	-	WHITE	-	RM 31881
R	-	RED	-	RM 31882
G	-	GREEN	-	RM 31883
O	-	ORANGE	-	RM 31884
BL	-	BLUE	-	RM 31885
Y	-	YELLOW	-	RM 31886
BR	-	BROWN	-	RM 31887
P	-	PURPLE	-	RM 31888
S	-	SLATE	-	RM 31889
  - TERMINAL DESIGNATIONS IN PARENTHESES ( ) ARE FOR REFERENCE ONLY AND ARE NOT MARKED ON COMPONENTS.
  - FUSE VALUE CORRESPONDING TO FUSE HOLDER  
 XF 851 - 1 AMP  
 XF 852 - 2 AMP  
 XF 853 - 1 AMP
  - USE I51626 TERMINALS, 12 PLACES.
  - WIRING LEGEND**

— DISTANT TERMINATING AREA  
 — DISTANT TERMINATING DESIGNATION  
 — WIRE COLOR CODE

A-I-BR.



**ACTUAL WIRING DIAGRAM FOR MOTOR CONTROL RELAY ASSEM. NO. 198048**

**APPROVALS**

D AND R	E OF M
---------	--------

NUMBER

PROD. NO. 6443 WD

DATE: 8-29-63

P.D. FILE NO. I-A143 AA

DRAWN AHP - CHKD. JHH

ENGD. JHH - APPD. JHH

**TELETYPE CORPORATION**

3 6443 WD