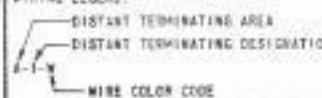


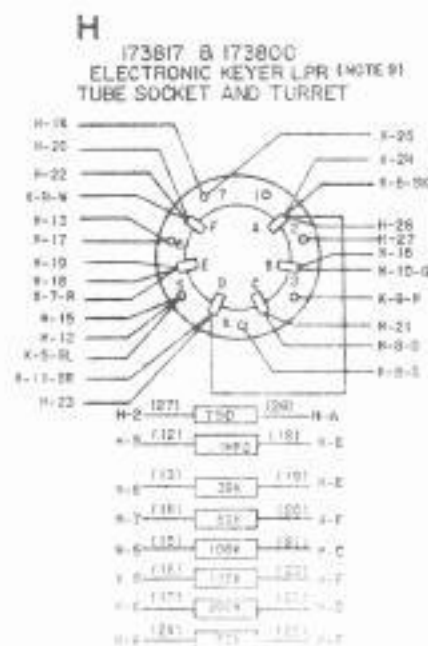
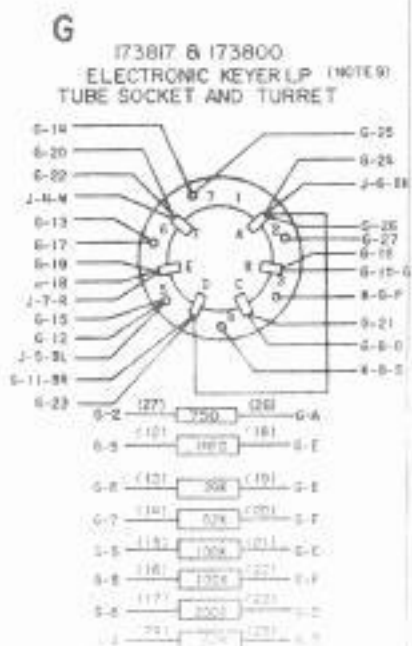
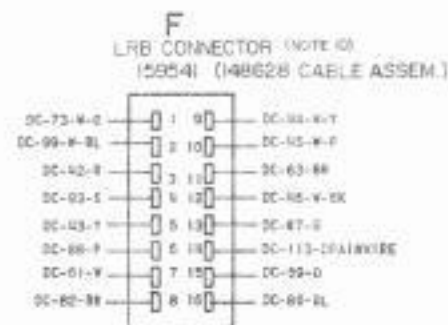
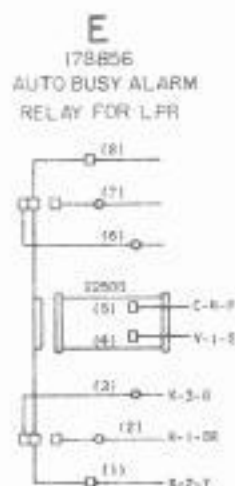
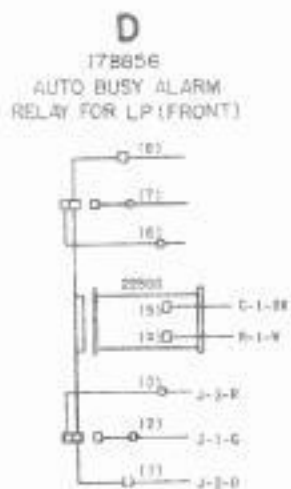
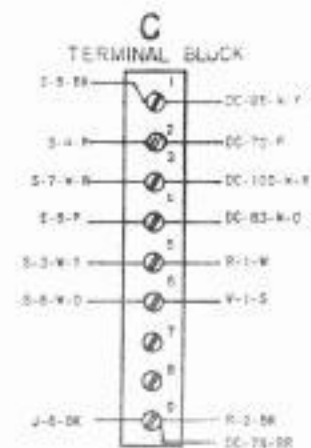
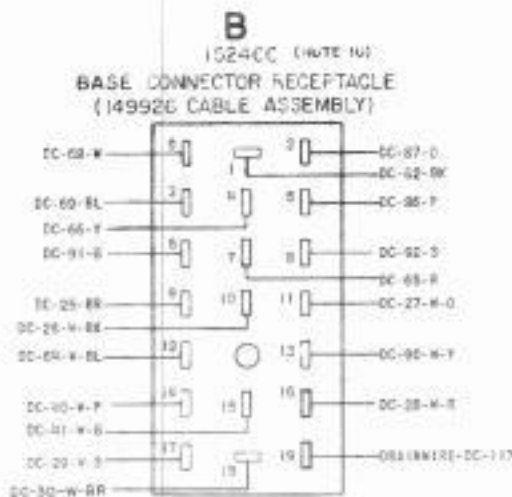
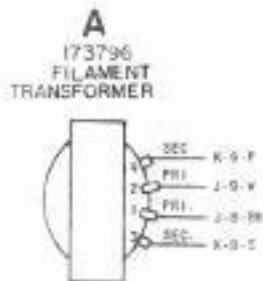
REVISIONS

ISSUE	DATE	AUTH. NO.
1	5-20-54	1117-1
2	12-13-54	80513
3	3-10-55	30212
4	2-15-55	46115
5	5-13-55	86450-1

- NO. NOTES
1. WIRING LEGEND:

 2. COLOR CODE:

BK - BLACK	G - GREEN
BR - BROWN	BL - BLUE
R - RED	P - PURPLE
O - ORANGE	S - SLATE
Y - YELLOW	W - WHITE
 3. CONNECTORS VIEWED FROM SOLDER TERMINAL ENDS.
 4. ALL CONTACTS SHOWN IN UNOPERATED OR DE-ENERGIZED POSITION.
 5. STRAP AC-15 TO AC-16 TO DISABLE TIME DELAY MOTOR CONTROL.
 6. ASSOCIATED CABLES:

148812	148826
148828	148826
148826	148827
148822	148829
148824	
 7. FOR SCHEMATIC WIRING DIAGRAM, SEE 5402WD.
 8. TERMINAL DESIGNATIONS ENCLOSED IN PARENTHESES ARE FOR REFERENCE AND ARE NOT MARKED ON COMPONENT.
 9. KEYS REQUIRE 150V DC POLAR SIGNAL INPUT.
 10. THIS COMPONENT PART OF VCL501.
 11. SL-BL INDICATES SLOW-BLOWING.



ACTUAL
WIRING DIAGRAM
FOR
LESSION
AS PART OF VCL501

APPROVALS

D AND R	E OF M
---------	--------

E-NUMBER

PROD. NO. 5402WD

DATE 2-13-54

R.D. FILE NO. 72-20745-55A8

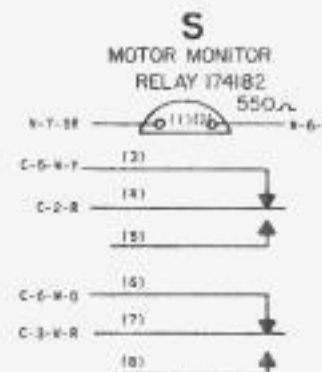
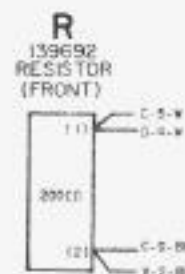
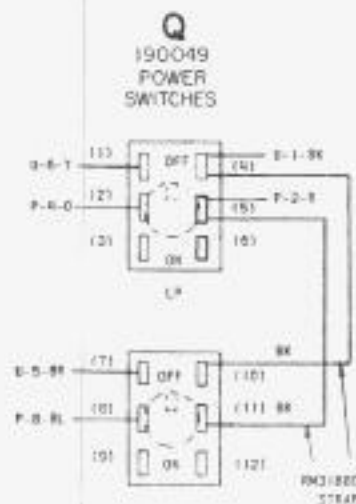
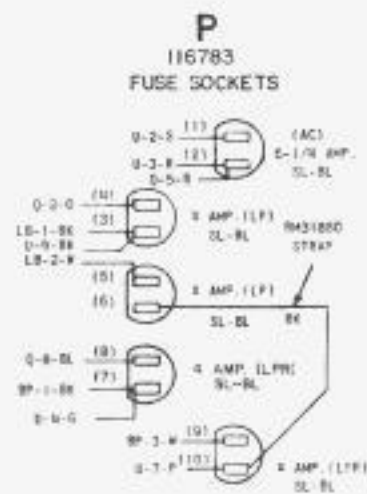
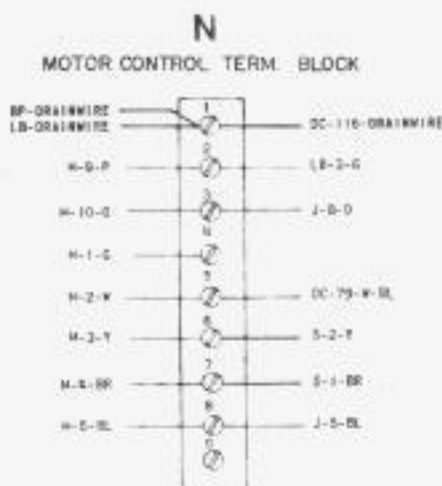
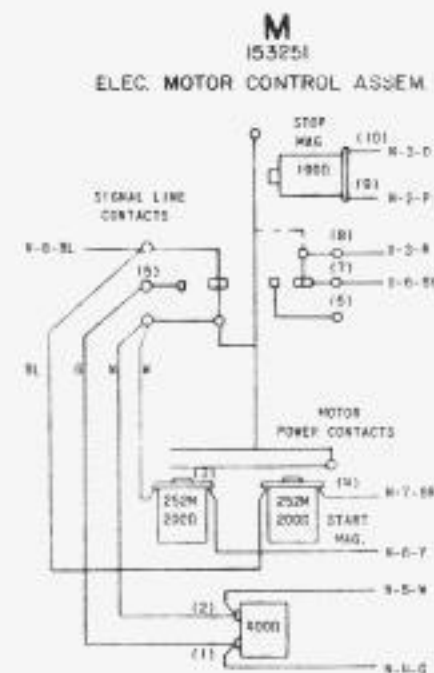
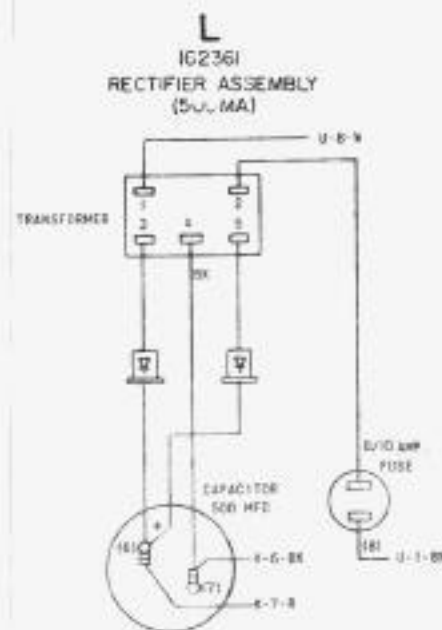
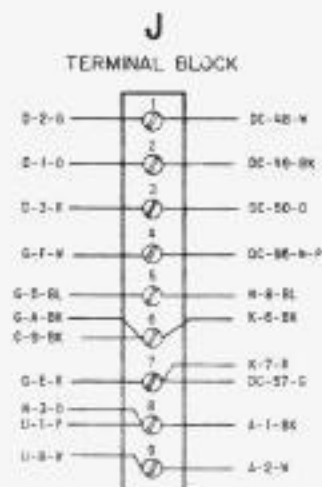
DRAWN D.D.G. CHKD. H.R.H.

ENGD. P.L.H. APPD.

TELETYPE
CORPORATION

REVISIONS

ISSUE	DATE	AUTH. NO.
1	5-20-64	156078
2	12-11-64	85507
3	3-18-65	85805
4	2-15-65	84195
5	5-13-65	86460-1



ACTUAL
WIRING DIAGRAM
FOR
LESA109
AS PART OF VCL501

APPROVALS

D AND R	E OF M
.....

E-NUMBER

PROD. NO. 6493WD

DATE 2-13-65

R.D. FILE NO. 72-30740 6544

DRAWN D.C.G. CHKD K.F.R.

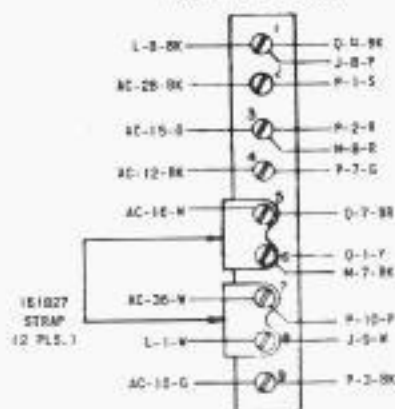
ENGR. P.L.H. APPD.

TELETYPE
CORPORATION

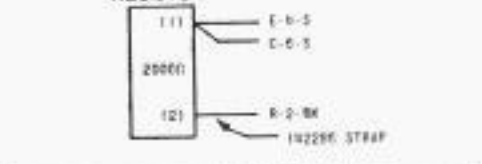
SEE SHEET 1 FOR NOTES

REVISIONS		
ISSUE	DATE	AUTH. NO.
1	5-20-64	15517-B
2	12-11-64	15507
3	3-19-65	15555
4	2-15-65	16195
5	5-13-65	16460-1

U
TERMINAL BLOCK



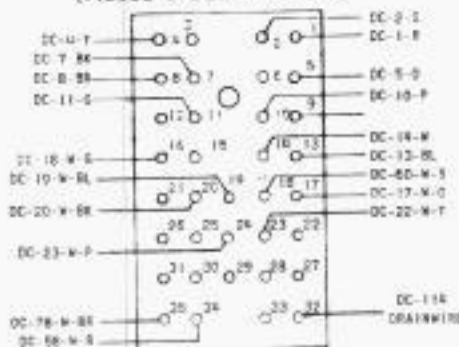
V
139692
RESISTOR



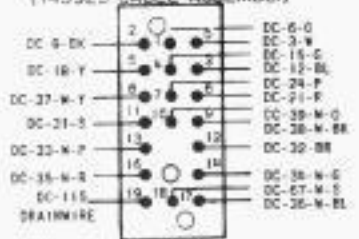
LEADS CONNECTED TO LOWER SIDE OF 40 PT. TERMINAL BOARD (A-C)

TERM. NO.	TERM. POINT	COLOR	TERM. NO.	TERM. POINT	COLOR
1			21		
2			22		
3			23		
4			24		
5			25		
6			26		
7			27		
8			28	R-2	BK
9			29		
10	U-6	G	30		
11			31		
12	D-4	BK	32		
13			33		
14			34		
15	U-3	R	35		
16	U-5	W	36	U-7	W
17			37		
18			38		
19			39		
20			40		

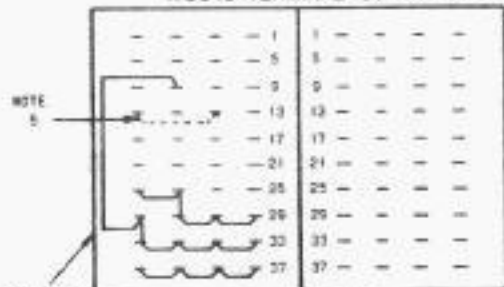
AA
157399
TYPING UNIT CONNECTOR (NOTE 101)
(148633 CABLE ASSEMBLY)



AB
158259
TYPING UNIT CONNECTOR (NOTE 101)
(149925 CABLE ASSEMBLY)



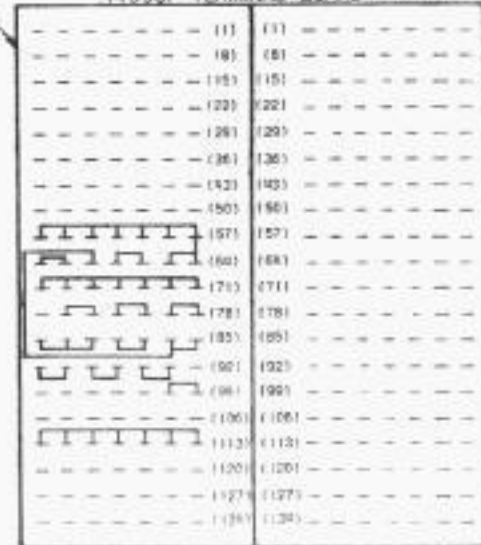
AC
173845 TERMINAL BOARD (NOTE 101)



NOTE 5

ALL STRAPS (139529RM) SHOWN ON DRAWING

DC
149931 TERMINAL BOARD (NOTE 101)

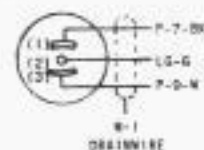


CUSTOMER WIRING SIDE

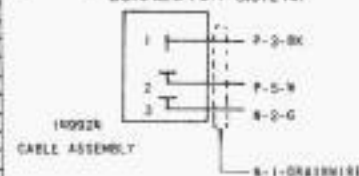
LEADS CONNECTED TO LOWER SIDE OF 140 PT. TERMINAL BOARD (D-C)

TERM. NO.	TERM. POINT	COLOR	TERM. NO.	TERM. POINT	COLOR	TERM. NO.	TERM. POINT	COLOR	TERM. NO.	TERM. POINT	COLOR
1	AA-1	R	35	AB-17	W-BL	71			108		
2	AA-2	S	37	AB-8	W-Y	72			107		
3	AB-0	W	38	AB-0	W-BK	73	F-1	W-0	106		
4	AA-5	Y	39	AB-10	W-0	74	C-9	W	129		
5	AA-6	D	40	B-15	W-P	75			130		
6	AB-1	D	41	B-15	W-R	76			111		
7	AA-7	BK	42	F-3	R	77			112		
8	AA-8	BR	43	F-5	Y	78	AA-25	W-BK	113	F-18	
9	AB-2	BK	44	F-9	W-T	79	B-5	W-BL	110	AA-32	
10	AA-10	P	45	F-10	W-P	80	F-15	BL	115	AB-19	
11	AA-11	G	46	F-12	W-BK	81	K-5	W-BK	116	B-1	
12	AB-3	BL	47	F-13	G	82	F-8	BK	117	B-13	
13	AA-13	BL	48	J-1	W	83	C-4	W-0	118		
14	AA-14	W	49	J-2	BK	84			119		
15	AB-4	S	50	J-3	G	85	C-1	W-1	120		
16	AA-15	W-0	51	K-1	BL	86	B-5	P	121		
17	AA-17	W-0	52	K-2	Y	87	B-2	G	122		
18	AB-5	Y	53	K-3	P	88	F-6	P	123		
19	AA-19	W-BL	54			89			124		
20	AA-20	W-BK	55			90	B-13	W-Y	125		
21	AB-6	R	56			91	B-6	G	126		
22	AA-23	W-Y	57	J-7	G	92	B-8	S	127		
23	AA-24	W-P	58	AA-34	W-R	93	F-4	S	128		
24	AB-7	P	59	F-15	G	94			129		
25	B-0	BR	60	AA-18	W-1	95			130		
26	F-10	W-BK	61	F-7	W	96	J-4	W-P	131		
27	B-11	W-S	62	B-1	BK	97			132		
28	F-16	W-P	63	F-11	BR	98	S-1	W-0	133		
29	B-17	W-0	64	B-12	W-BL	99	F-2	W-BL	134		
30	B-18	W-BK	65	B-7	R	100	C-3	W-R	135		
31	AB-11	S	66	B-4	P	101			136		
32	AB-12	BR	67	AB-15	W-S	102			137		
33	AB-13	W-P	68	F-0	R	103			138		
34	AB-14	W-0	69	B-3	BL	104			139		
35	AB-16	W-P	70	C-2	K	105			140		

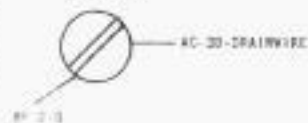
BP
114666
REPERFORATOR BASE CONNECTOR (NOTE 101)
(146629 CABLE ASSEMBLY)



LB
153493
PRINTER BASE CONNECTOR (NOTE 101)



LG
LESU GROUND SCREW



SHEET 2 OF 3

ACTUAL WIRING DIAGRAM FOR LESU100 AS PART OF VCL501

APPROVALS

D AND R	E OF M
---------	--------

E-NUMBER

PROD. NO. 6493WD

DATE 2-13-64

P.D. FILE NO. 72-30/59 6544

DRAWN J.D.G. CHKD. H.F.H.

ENGD. P.L.H. APPD.

TELETYPE CORPORATION

6493WD