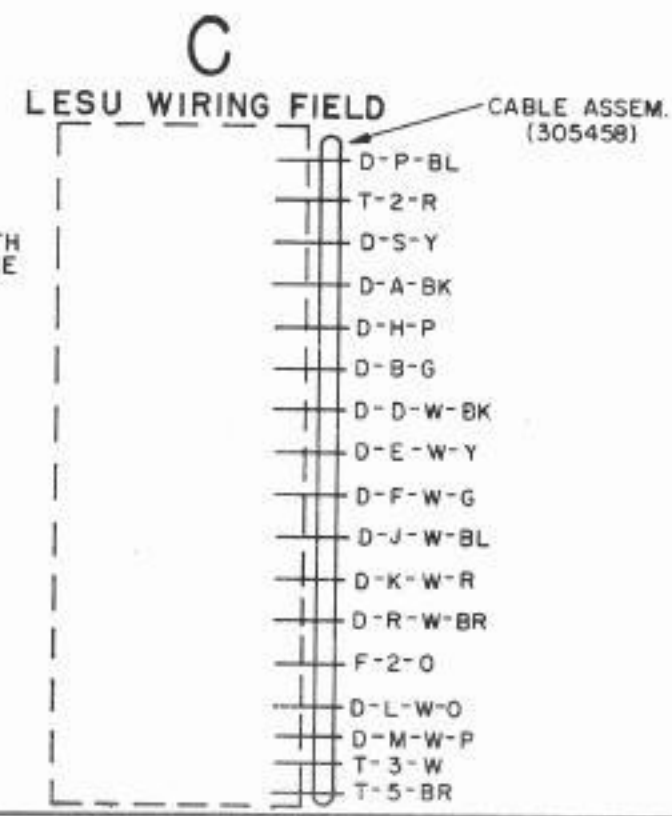
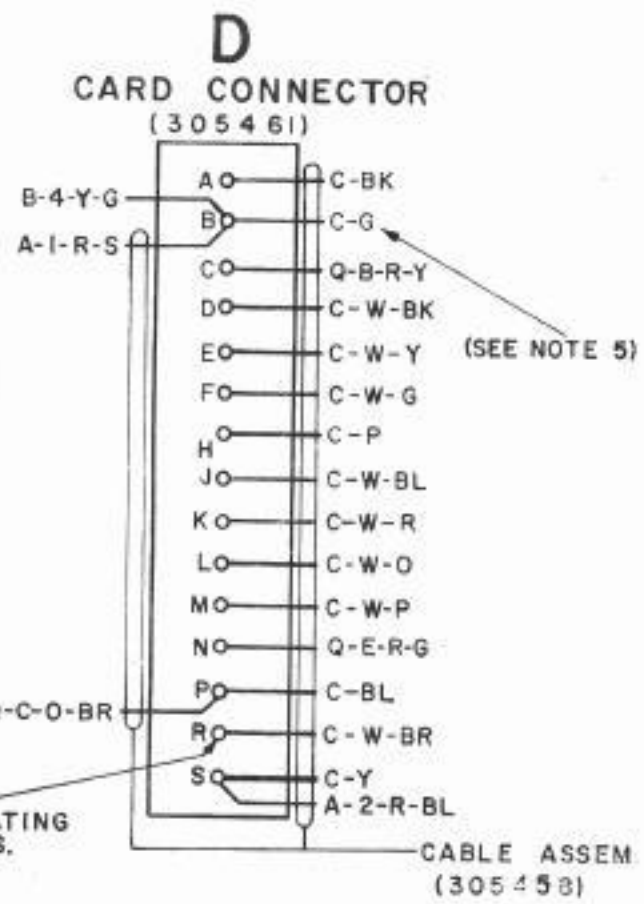
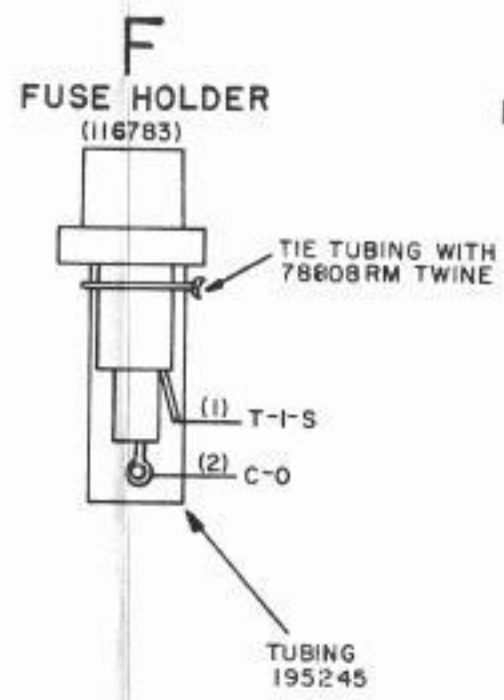
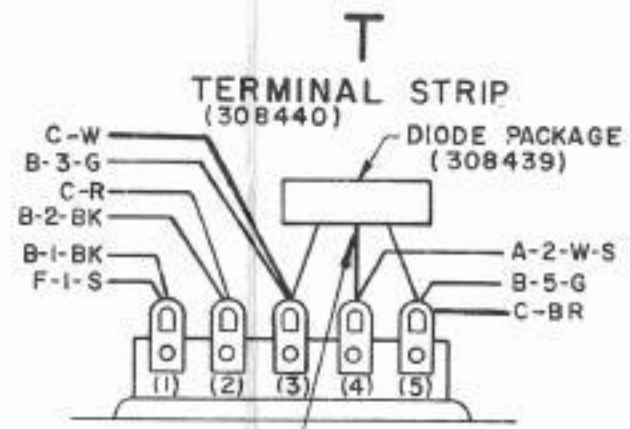
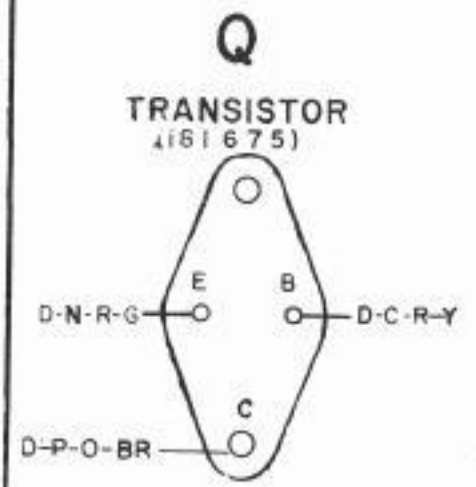
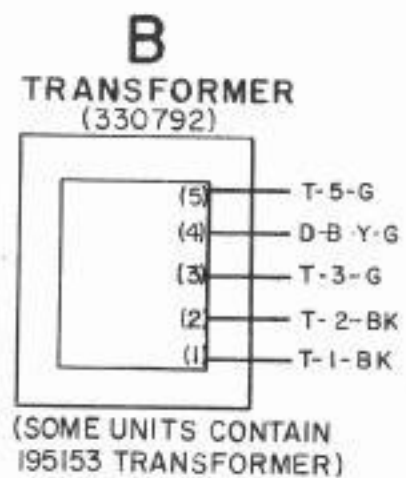
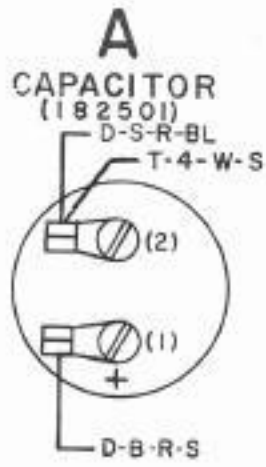


- NO. NOTES
- COLOR CODE  
 BK—BLACK G—GREEN  
 R—RED BL—BLUE  
 O—ORANGE P—PURPLE  
 Y—YELLOW W—WHITE
  - WIRING LEGEND
  - ALL COMPONENTS VIEWED FROM THE SOLDERED SIDE
  - FOR ADDITIONAL INFORMATION SEE 305459 AND 305450 CIRCUIT CARD ASSEMBLIES.
  - TIE CABLE TOGETHER WITH 7880 RM TWINE CLOSE TO CONNECTOR ATTACH BRACKET TO "A" END OF CARD CONNECTOR



7267 WD

ISSUE	DATE	AUTH NO.
1	2-4-66	17313 R
2	2-10-67	92359
3	5-7-68	95527-8

ACTUAL WIRING DIAGRAM OF CONSTANT CURRENT SELECTOR MAGNET DRIVER 305447 AND 305448

APPROVALS

D AND R	E OF M
HJK	S

NUMBER  
 PROD. NO. 7267 WD

DATE: 5-20-64  
 PD FILE NO: G-A151AA  
 DRAWN RWD CHKD JGR  
 ENGD DAB APPD 368

TELETYPE CORPORATION  
 7267 WD

WDP