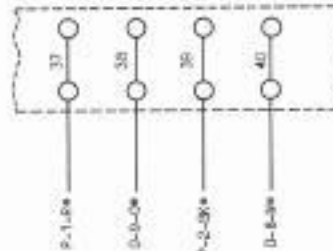
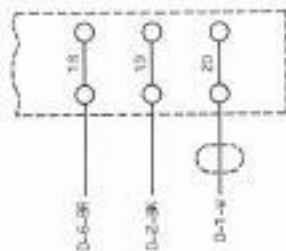
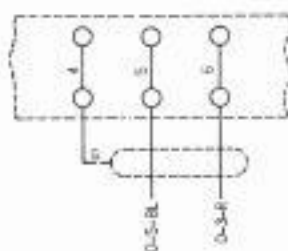


REVISIONS

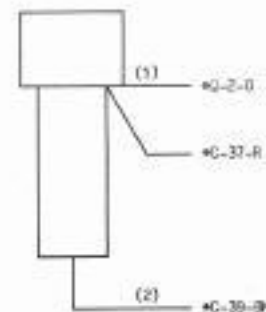
ISSUE	DATE	AUTH. NO.
1	11-19-64	15855-R
2	6-1-65	88899
3	1-30-68	94715

- NO. NOTES
1. WIRING LEGEND
 ——— DISTANT TERMINATING AREA
 ——— DISTANT TERMINATING DESIGNATION
 A-1-BK ——— WIRE COLOR CODE
 2. SEE 7471AD FOR SCHEMATIC WIRING DIAGRAM.
 3. TERMINAL DESIGNATIONS ENCLOSED IN PARENTHESES ARE FOR REFERENCE AND ARE NOT MARKED ON COMPONENTS.
 4. ASSOCIATED CABLES
 173657 CABLE ASSEMBLY
 173643 CABLE ASSEMBLY
 5. SELECTOR MAGNET DRIVERS (ON 304206 ONLY) TO BE WIRED FOR POLAR. OPTIONS. (REFER TO 44495WD) SELECTOR MAGNET DRIVERS ARE EQUIPPED WITH MOD. KIT 662208 TO ADD BLINDING RESISTOR (47 OHMS) (REFER TO 601605)
 6. * ASTERISK INDICATES 18 GA.

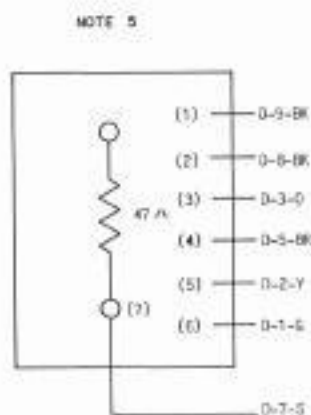
C
CABINET TERMINAL BLOCKS



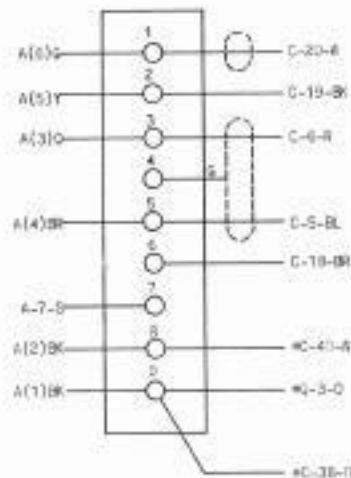
P
FUSE HOLDER



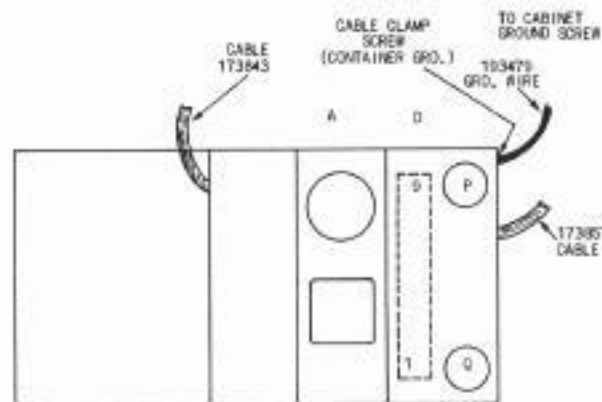
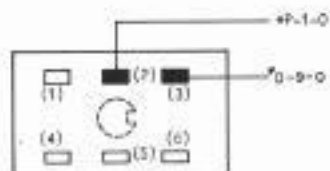
A
SELECTOR MAGNET DRIVERS



D
TERMINAL BLOCK



Q
POWER SWITCH



WDF

ACTUAL
WIRING DIAGRAM
FOR
ELECTRICAL
SERVICE ASSEMBLY
304206
307905
(KSR SET)

APPROVALS

D AND R OAL	E OF M ~
----------------	-------------

E-NUMBER
 PROD. NO. 7470 WD
 DATE 9-25-64
 P.D. FILE NO. 42-42/65AA
 DRAWN MWH. CHKD. TDC.
 ENSD. EPD. APPD. OAL

TELETYPE
CORPORATION

7470 WD

3