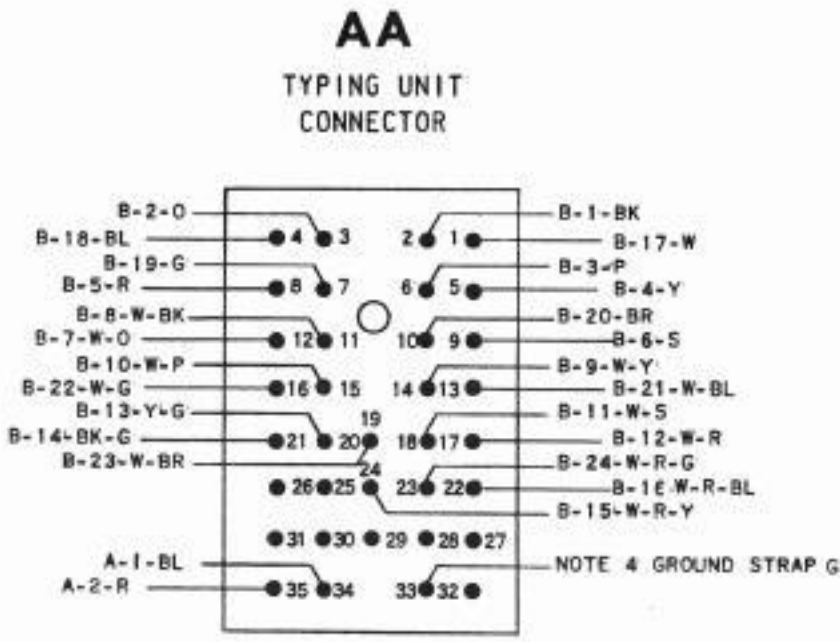
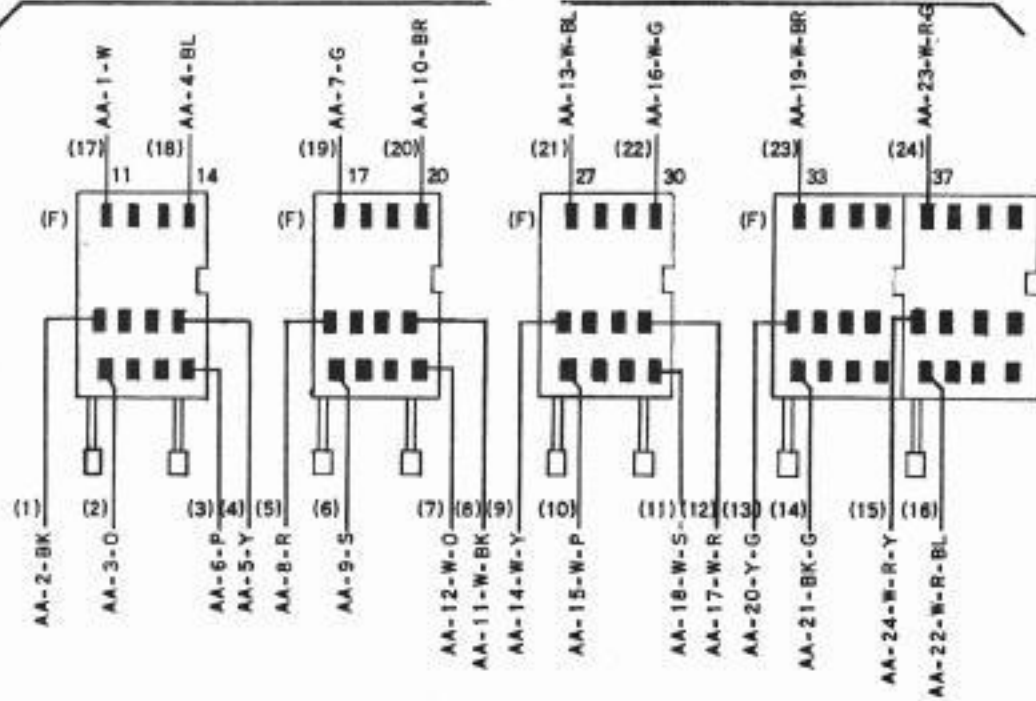
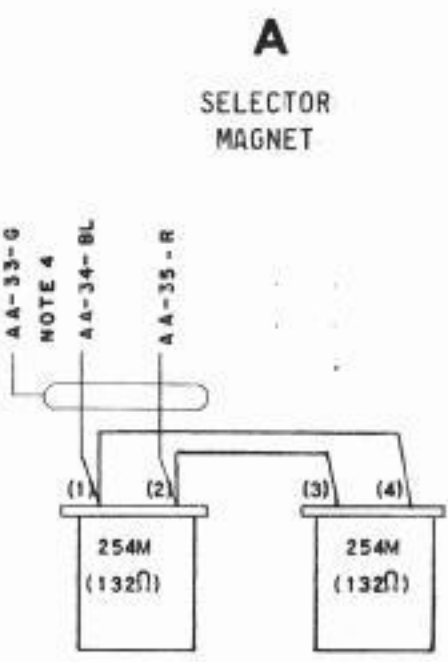


ISSUE	DATE	AUTH. NO.
1	10-31-64	15866-R
2	1-25-67	92686
3	1-29-68	94715

- NO NOTES
- WIRING LEGEND:**
 - WIRE COLOR CODE:**
 W - WHITE R - RED BL - BLUE
 BK - BLACK S - SLATE G - GREEN
 O - ORANGE BR - BROWN Y - YELLOW
 P - PURPLE
 - CONNECTOR VIEWED FROM SOLDERED TERMINAL END.**
 - GROUND SHIELDING OF SELECTOR CABLE.**
 - CONTACT ARM**

STRAIGHT F CONTACT NORMALLY CLOSED

CROOKED F CONTACT NORMALLY OPEN
 - ASSOCIATED CABLES:**
 173698 CABLE ASSEMBLY
 173450 CABLE ASSEMBLY



WDP

ACTUAL WIRING DIAGRAM FOR MODEL 28 TYPING UNIT LP77,147 STUNT BOX AJV

APPROVALS

D AND R E OF M

S-NUMBER
 PROD. NO. 7481WD

DATE:
 P.D. FILE NO. 42-A2/65AA
 DRAWN CHKD
 ENGD. E.F.D. APPD.

TELETYPE CORPORATION
 7481WD