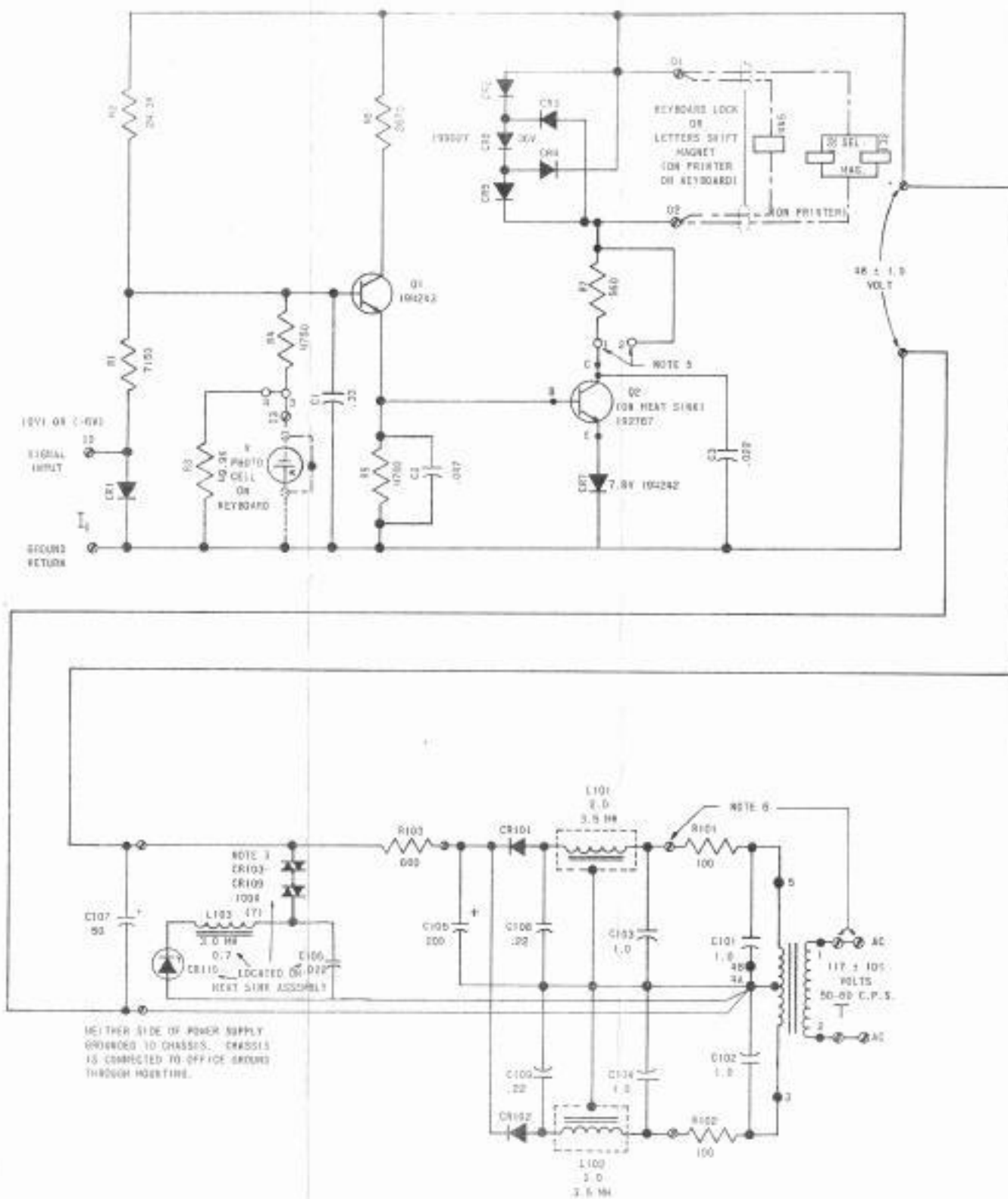


7536 WD

## REVISIONS

| ISSUE | DATE   | AUTH. NO. |
|-------|--------|-----------|
| 1     | 1-9-55 | 15224     |
| 2     | 3-3-55 | 80366     |
|       |        |           |
|       |        |           |

- NO. NOTES
1. ALL RESISTANCE VALUES IN OHMS AND CAPACITANCE VALUES IN MICROFARADS UNLESS OTHERWISE SPECIFIED.
  2. SELECTOR COILS IN PARALLEL FOR ALL CONDITIONS OF OPERATION.
  3. FACTORY ADJUSTMENTS:  
BY STRAPPING OUT AN APPROPRIATE NUMBER OF 100K VARIATORS THE SUPPLY POTENTIAL IS ADJUSTED TO  $48 \pm 1.0$  VOLTS.
  4. REFER TO 7030M FOR ACTUAL WIRING DIAGRAM.
  5. STRAPPING FOR SELECTOR MAGNET DRIVER OPTIONS:  
FOR DRIVING SELECTOR MAGNETS:  
1-2 OPEN  
FOR DRIVING LTR. SHIFT MAGNET OR KEYBOARD LOCK MAGNET:  
1-2 STRAPPED
  6. ALL CONNECTIONS TO CIRCUIT CARD SHOWN BY  $\otimes$  ARE SCREW TERMINALS.
  7. BECAUSE OF CRITICAL R.F. REQUIREMENTS, ALL REPLACEMENT PARTS SHOULD BE OBTAINED FROM TELETYPE CORPORATION.
  8. FOR TELETYPE PERSONNEL REFERENCE: SPECIFICATION 61-0075
  9. INDICATES SHIELDING  
INDICATES OPTIONAL WIRING



SCHEMATIC  
WIRING DIAGRAM  
FOR  
SELECTOR MAGNET  
DRIVER ASSEMBLY  
310217

## APPROVALS

D AND R  
H.J.K.E OF M  
S

## C-NUMBER

PROD. NO. 7536WD

DATE 12-15-54

R.D. FILE NO. 74-32-5544

DRAWN R.F. G.W.D.

ENGR. P.L.M. APPD.

TELETYPE  
CORPORATION

7536 WD