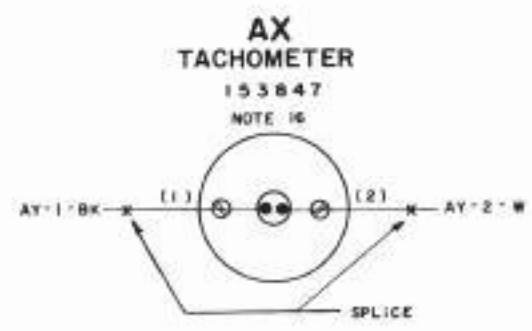
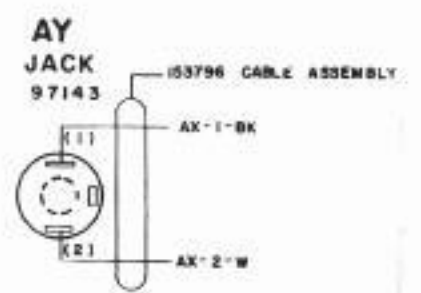
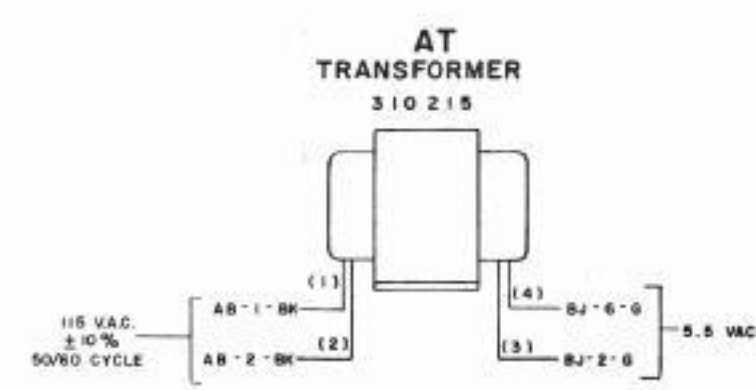
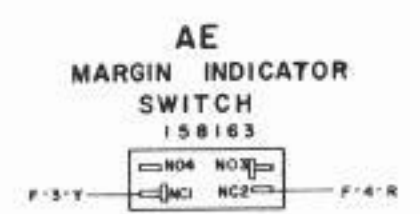
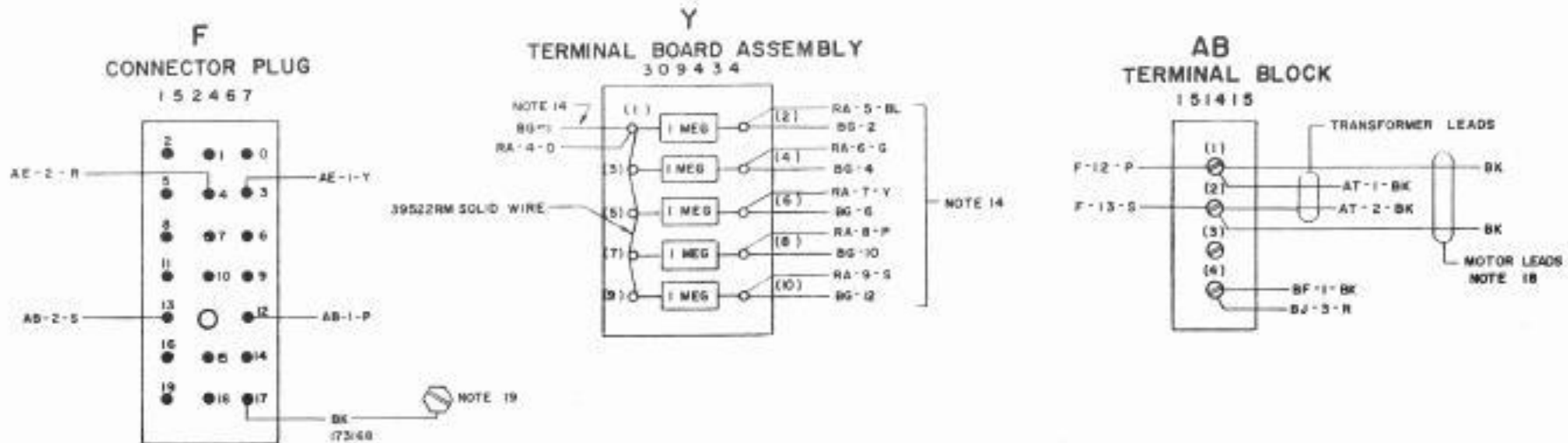


REVISIONS

ISSUE	DATE	AUTH. NO.
1	4-8-65	15879-R
2	2-23-66	20505

- NO. NOTES
1. WIRING LEGEND:
 2. COLOR CODE:

BK - BLACK	Y - YELLOW
BR - BROWN	P - PURPLE
BL - BLUE	O - ORANGE
S - SLATE	G - GREEN
R - RED	W - WHITE
 3. TERMINAL DESIGNATIONS ENCLOSED IN PARENTHESES ARE FOR REFERENCE AND ARE NOT MARKED ON COMPONENT.
 4. ALL COMPONENTS VIEWED FROM WIRING END.
 5. REFER TO 7540ND FOR SCHEMATIC WIRING DIAGRAM.
 6. FOR TELETYPE PERSONNEL REFERENCE: SPECIFICATION 61,0285
 7. THE GROUND SIDE OF SIGNAL GENERATOR LIGHT BULB IS SUPPLIED THROUGH THE MOUNTING HARDWARE.
 8. RESISTANCE VALUES IN OHMS, UNLESS OTHERWISE SPECIFIED.
 9. THE NORMALLY OPEN TIMING PULSE CONTACT (BE) IS OPEN IN THE "STOP" POSITION.
 10. GREEN STRAP TO BE CONNECTED TO 31080B CONNECTOR CABLE CLAMP AT AREA RA AND 102014 CONNECTOR CABLE CLAMP AT AREA RB. (USED FOR GROUND)
 11. ASSOCIATED CABLE ASSEMBLIES:
 310074
 306082
 12. COVER TERMINALS WITH 152760 INSULATING SLEEVE.
 13. INDICATES CIRCUIT GROUNDED BY MOUNTING HARDWARE.
 14. COVER RESISTOR LEADS FROM Y-2, Y-4, Y-5, Y-8, Y-10 WITH 603160M TUBING 1/2" LONG. COVER SOLID WIRE LEAD FROM Y-1 WITH 603160M TUBING 1-1/4" LONG.
 15. SHIELD BRAIN WIRE FROM 311020M SHIELDED CABLE.
 16. 153796 CABLE ASSEMBLY SPLICED TO GENERATOR TACHOMETER LEADS, COVER SPLICE WITH 603600M TUBING, OR SUITABLE ELECTRICAL TAPE.
 17. SHIELD END FROM 306082 CABLE.
 18. FOR MOTOR WIRING DIAGRAM, SEE: 250041
 19. FASTEN BK WIRE (FROM TERMINAL 17) UNDER FLATWASHER ON 151330 CONNECTOR MOUNTING BRACKET MOUNTING SCREW (REAR SCREW) OR TRANSFORMER MOUNTING SCREW.



ACTUAL WIRING DIAGRAM FOR MODEL 26 KEYBOARD LEDS

APPROVALS

O AND R	E OF M
-----	-----

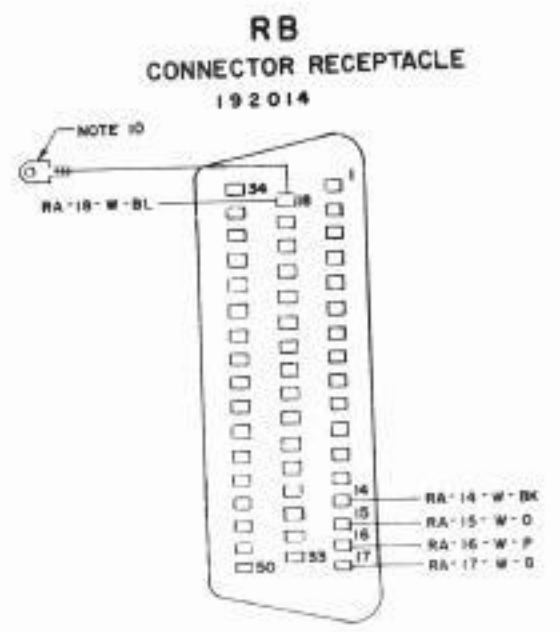
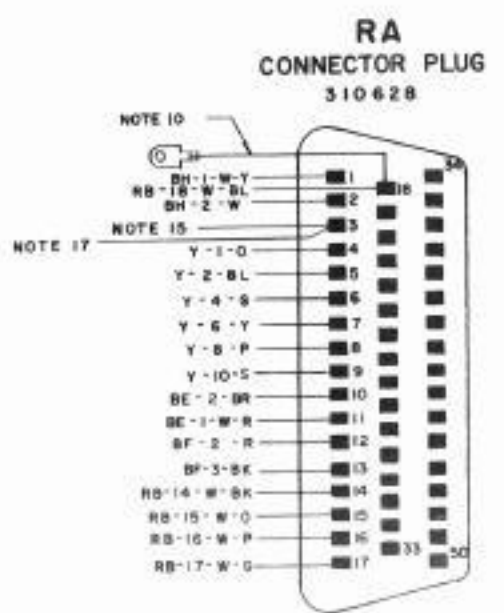
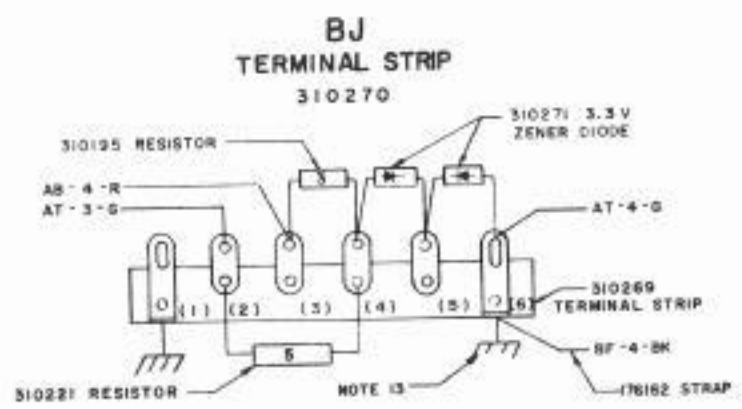
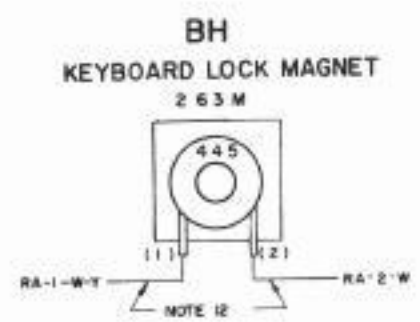
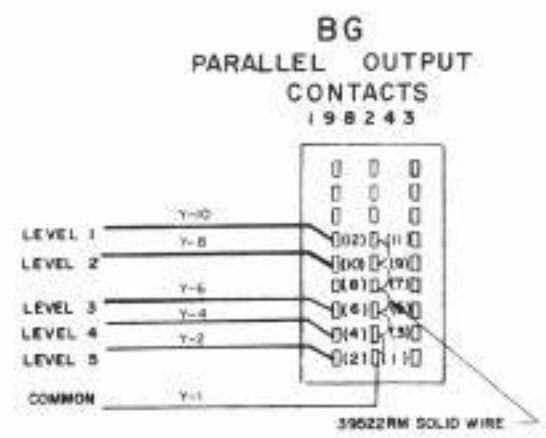
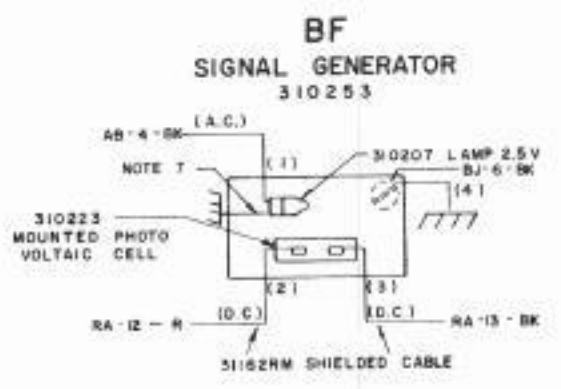
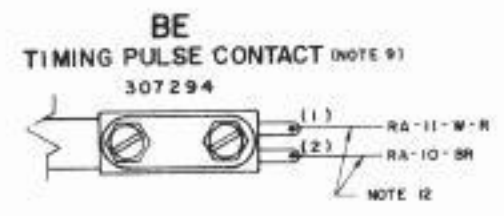
E-NUMBER
 PROD. NO. 7542WD
 DATE
 R.D. FILE NO. TN-20,884A
 DRAWN L.J.F. CHKD.
 ENGD. C.F.C. APPD.

TELETYPE CORPORATION
 7542 WD

REVISIONS

ISSUE	DATE	AUTH. NO.
1	4-3-65	16829-R

SEE SHEET 1 FOR NOTES.



SHEET 2 OF 2

ACTUAL
WIRING DIAGRAM
FOR
MODEL 28 KEYBOARD
LEDS

APPROVALS

D AND R	E OF M
.....

E-NUMBER

PROD. NO. 7542WD

DATE

P.D. FILE NO. 74-35-658A

DRAWN L.J.F.	CHKD.
ENGR. C.F.C.	APPD.

TELETYPE CORPORATION

7542WD