

NO. NOTES

SUPPORTING INFORMATION

CONTENTS

SHEET NO.

ISSUE

REVISIONS APPLYING TO THIS CONTROL RECORD

CATEGORY NO.

2 3 4 5 6 7 8 9 10 11 12 13 14 15 16 17 18 19

ISSUE	DATE	AUTH. NO.
1	12-12-66	17356-R

1  
2  
3

ISSUE CONTROL SHEET 1 OF 1

SCHEMATIC FOR VSL514 MODEL 28 SET TO PROVIDE TANDEM MESSAGE IDENTIFICATION ON MODEL 28ASR SET

WD NUMBER 7839WD

DRAWN RJP

CHKD.

ENGD.

APPD.

TELETYPE CORPORATION

7839WD

1. ASSOCIATED WIRING DIAGRAMS:  
 4367WD - 245000 MESSAGE ID MODULE  
 7041ND - VLS17 COMBINATION ACTUAL  
 7842ND - LENS DISTRIBUTOR  
 5762ND - 146001 RECTIFIER ACTUAL  
 5763ND - 146001 RECTIFIER SCHEMATIC  
 4204WD - LXD25 TRANSMITTER DISTRIBUTOR  
 7300WD - LK9822 TRANSMITTER DISTRIBUTOR BASE

2. LEGEND:  
 A MESSAGE ID MODULE CONNECTOR  
 AC 48 LD DISTRIBUTOR CONNECTOR  
 C CABINET TERMINAL BLOCK  
 D RECTIFIER CONNECTOR  
 E INNER LXD - LEAD CONNECTOR  
 E,8 OUTER LXD - LENS CONNECTOR  
 J OUTER LXD - LAAC CONNECTOR  
 S INNER LXD - LAAC CONNECTOR

3. NETWORK VALUES:

NET. NO.	TELETYPE PART NO.	RESISTANCE OHMS	CAPACITANCE MICROFARADS
1	146007	100	0.25

4. A. RESISTANCE IN OHMS - Ω  
 B. CAPACITANCE IN MICROFARADS - μF

5. SW201, 202 AND 203 SHOWN FOR 000 READING

6. ALL APPARATUS SHOWN IN OPERATED OR DE-ENERGIZED POSITION

7. OPTIONS:  
 FREE RUNNING OPERATION (CONTINUOUS) **(A)**  
 EXTERNALLY PULSED OPERATION **(B)**  
 EQUIPMENT FURNISHED WITH **(C)** WIRING

8. STRAP C205 TO C206 WHEN CLUTCH MAGNET OPERATING CIRCUIT IS NOT PROVIDED

9. DESIGNATIONS IN PARENTHESES DENOTE AREAS ON ACTUAL WIRING DIAGRAM

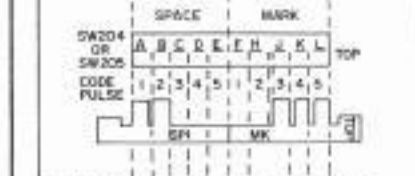
10. REFERENCE SPEC. FOR TELETYPE CORPORATION EMPLOYEES ONLY: 64,0725

11. IN FULL DUPLEX OPERATION, CONTROL MOTOR CONTROL RELAY STOP MAGNET THROUGH THE HOME POSITION OF THE STEPPING SWITCH

12. THE NUMBERING HOBLES AS RECEIVED FROM THE FACTORY ARE PERMANENTLY WIRED FOR THE FOLLOWING IDENTIFICATION SEQUENCE:

- 1. NOTE\* 2. Z 3. C
- 4. Z 5. C 6. NOTE\*
- 7. NOTE\* 8. NOTE\* 9. NOTE\*
- 10. NOTE\* 11. FIG. 12. 100'S
- 13. 10'S 14. 1'S 15. LTR.

NOTE\*  
 THE 6TH AND 10TH CHARACTERS ARE PROVIDED WITH A UNIVERSAL BOARD (172575 OR 304714) AND CONNECTOR TO PERMIT EASY RECODING TO CODE THE UNIVERSAL BOARD BREAK OFF TIMES IN THE SPACE AREA WHERE SPACING PULSES ARE REQUIRED. THE EXAMPLE BELOW ILLUSTRATES CODING THE LETTER "A".



THE STEPPING SWITCH, 59006, AS SUPPLIED FROM THE FACTORY DOES NOT HAVE THE 6th, 5th, 7th AND 8th CHARACTER POSITIONS WIRED TO CODE THESE POSITIONS. CORRECT MARKING BATTERY TO THE TERMINALS CORRESPONDING TO MARK PULSES AND SPACING BATTERY TO THOSE CORRESPONDING TO SPACE PULSES. SPACING AND MARKING BATTERY MAY BE OBTAINED BY STRAPPING TO THE CORRECT FACTORY WIRED TERM. OF THE PROPER CODE PULSE.

12. CONT'D  
 IF A SPECIFIC CHARACTER IS NOT REQUIRED IN ANY OF THE FOUR POSITIONS, THE CHARACTER "LTR" (ALL MARKING) SHOULD BE STRAPPED IN THE POSITION.  
 IF A NEUTRAL SIGNAL LINE IS USED, DISREGARD BREAKING TIMES OFF OR WIRING TERMINALS FOR SPACING PULSES.

13. CLIP FUNCTION PAUL IN START BOX IS IN OPERATED CONDITION IN FULL DUPLEX OPERATION.

14. CONNECTIONS TO 146001 RECTIFIER - + 48-POSITIVE SIDE AT D-4  
 \* COMMON RETURN TO NEGATIVE SIDE AT D-8

15. CAUTION  
 BECAUSE OF THE MANY VARIABLE FEATURES AVAILABLE ON THE MODEL 28 ASR SETS, THE CIRCUIT TO BE MODIFIED MUST BE REVIEWED SO THAT THE MODIFICATION DOES NOT INTERFERE WITH EXISTING FEATURES.

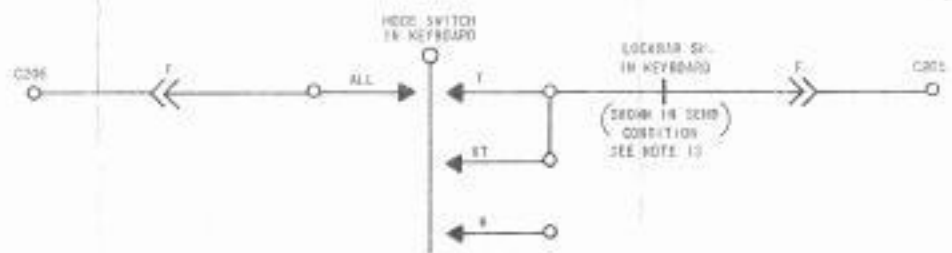
16. DISCONNECT SHIELD GROUND AT SIGNAL CONTACT BOXES, IF CONNECTION BETWEEN SIGNAL GROUND AND A.C. PROTECTIVE GROUND IS NOT DESIRED

17. CAUTION  
 GOLD PLATED SIGNAL LINE CONTACTS WILL BE DAMAGED UNLESS SPECIAL TEST PROCEDURES ARE FOLLOWED. REFER TO APPLICABLE SPECIFICATION OR BULLETIN.

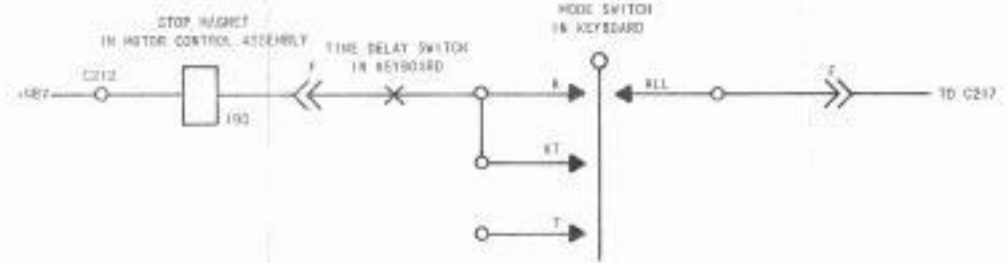
18. ○ INDICATES SHIELDED CABLE

WITH REVISION INFORMATION MUST ALSO BE REFLECTED ON THE ISSUE CONTROL RECORD WHICH IS A PART OF THIS DRAWING

7839WD		
REVISIONS		
ISSUE	DATE	AUTH. NO.
1	12-9-66	17356-R



SUGGESTED CLUTCH MAGNET OPERATING CIRCUIT (NOTE 8)



SUGGESTED MOTOR CONTROL RELAY STOP MAGNET CIRCUIT IN FULL DUPLEX OPERATION (NOTE 11)



SUGGESTED COMPLETION OF LINE SHUNT RELAY CIRCUIT

SEE ISSUE CONTROL RECORD FOR COMPLETE LIST OF SHEETS COMPRISING THIS SET  
 SHEET 1

SCHEMATIC WIRING DIAGRAM FOR VSL514 MODEL 28 SET TO PROVIDE TANDER MESSAGE IDENTIFICATION ON MODEL 28 ASR SET

APPROVALS

D AND H: [Signature]  
 E OF M: [Signature]

E-NUMBER

PROD. NO. 7839WD

DATE 8-30-66

R.D. FILE NO. 21-405-2194

DRAWN EGG CHD. [Signature]

ENGD. REP APPD. RRS

TELETYPE CORPORATION

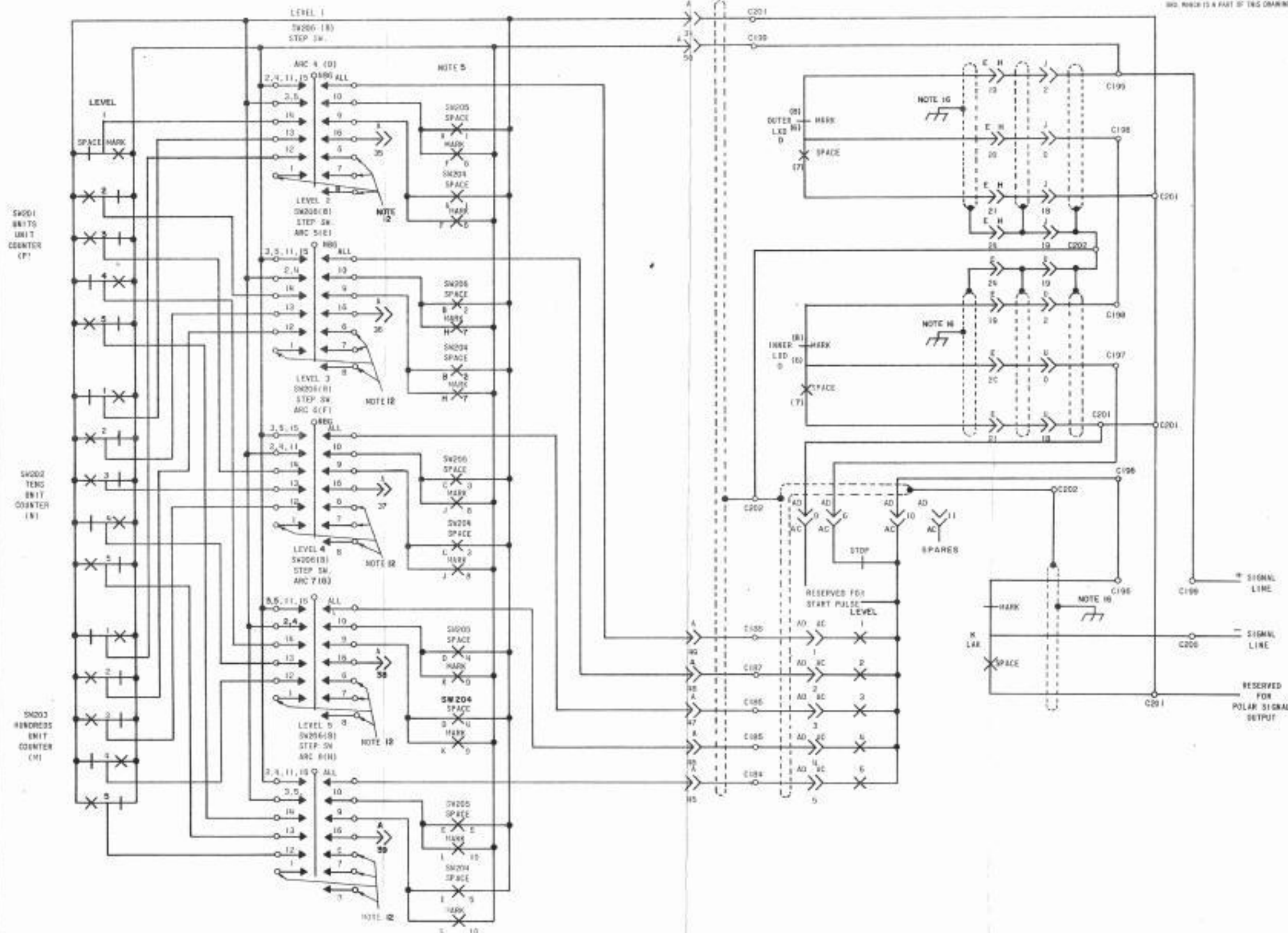
7839 WD

NOTE:  
REVISION INFORMATION MUST ALSO BE  
REFLECTED ON THE ISSUE CONTROL REC-  
ORD. WHICH IS A PART OF THIS DRAWING.

# 7839 WD

## REVISIONS

ISSUE	DATE	AUTH. NO.
1	12-9-56	17356-R



SEE ISSUE CONTROL RECORD FOR COMPLETE LIST OF SHEETS COMPRISING THIS SET

SHEET 2

SYMBOLIC  
WIRING DIAGRAM  
FOR VLS-14  
MODEL 28 SET  
TO PROVIDE TANDEN  
MESSAGE IDENTIFICATION  
ON MODEL 28 ASR SET

APPROVALS

D AND R	E OF M
<i>[Signature]</i>	<i>[Signature]</i>

E-NUMBER  
 PROD. NO. 7839WD  
 DATE 5-30-55  
 R.D. FILE NO. 21-485, 215A  
 DRAWN D.D.S. CHD. TBC  
 ENGR. R.L.P. APPD. RRS

TELETYPE CORPORATION  
**7839 WD**

### REVISIONS

ISSUE	DATE	AUTH. NO.
1	12-3-55	173961 R

NOTE  
REVISION INFORMATION MUST ALSO BE REFLECTED ON THE ISSUE CONTROL REC (OR) WHICH IS A PART OF THIS DRAWING

SEE ISSUE CONTROL RECORD FOR COMPLETE LIST OF SHEETS COMPRISING THIS WD

SHEET 3

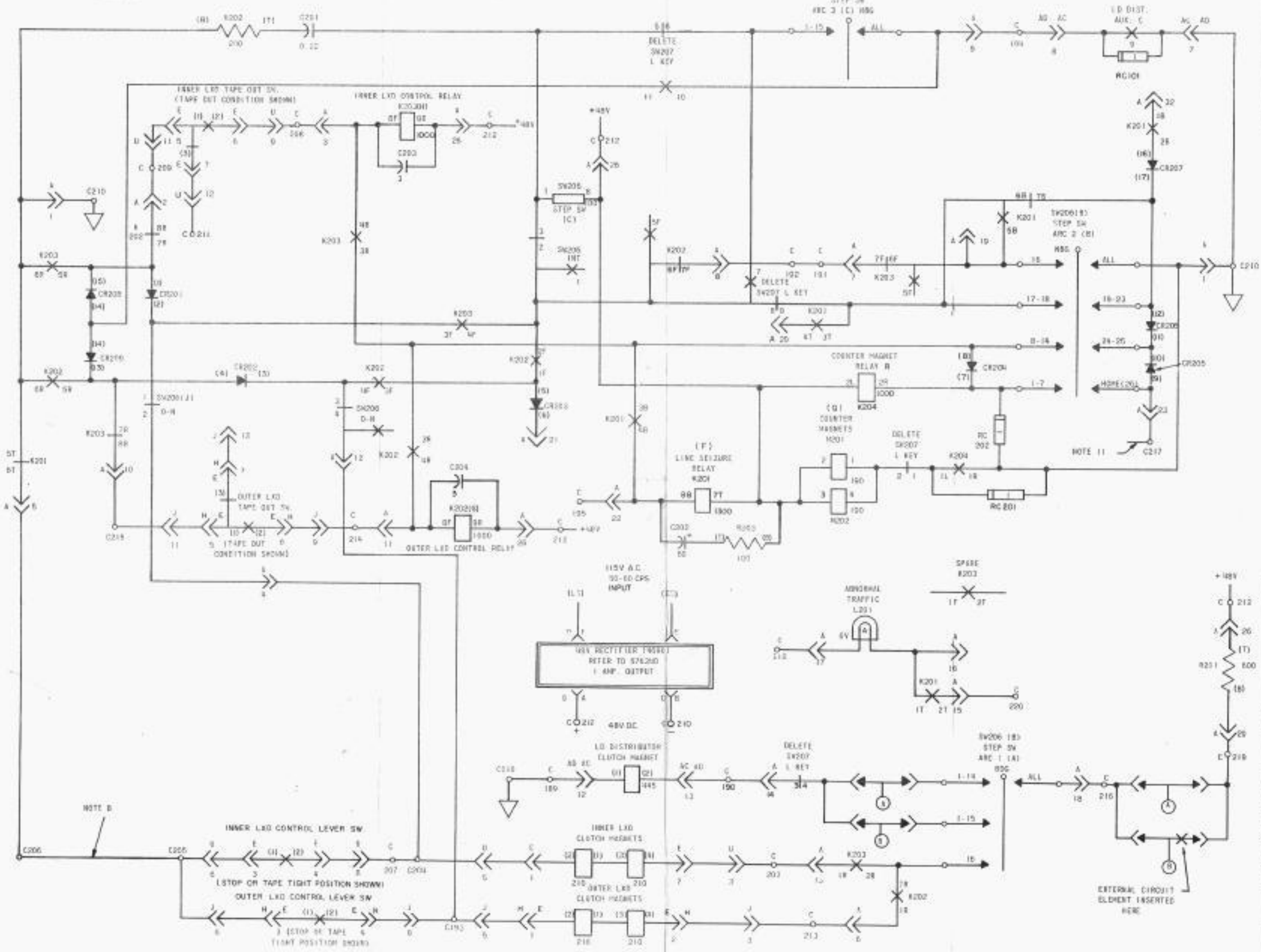
SCHEMATIC FOR VLS-14 MODEL 2B SET TO PROVIDE TANDEM MESSAGE IDENTIFICATION ON MODEL 2B ADR SET

### APPROVALS

D AND R	E OF M
<i>[Signature]</i>	<i>[Signature]</i>

E-NUMBER  
PROD. NO. 7839WD  
DATE 8/30/55  
RD. FILE NO. 21-455-215A  
DRAWN D. D. S. CHKD. *Tal*  
ENGR. H. E. P. APPD. *R.R.S.*

### TELETYPE CORPORATION



NOTE B

EXTERNAL CIRCUIT ELEMENT INSERTED HERE