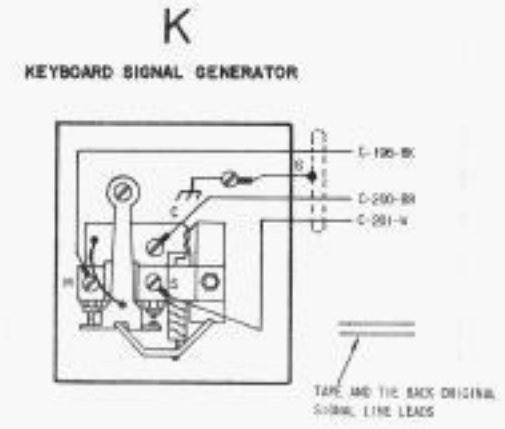
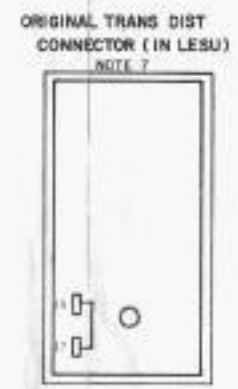
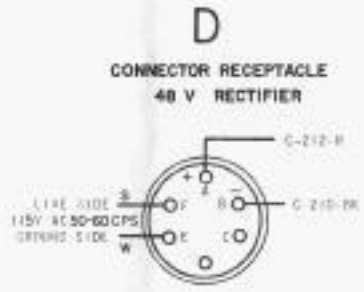
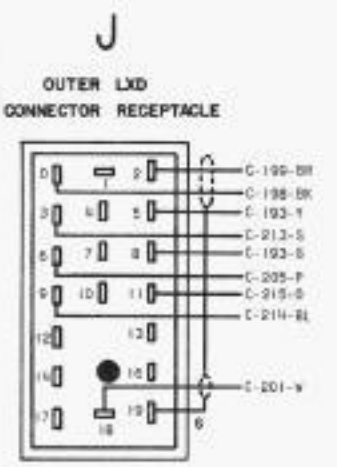
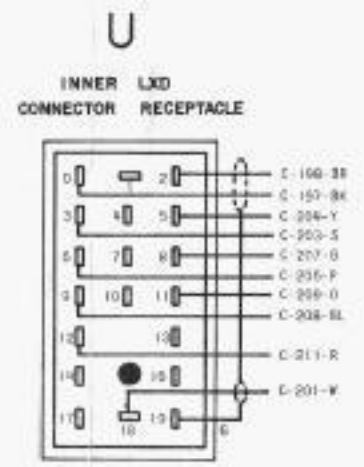
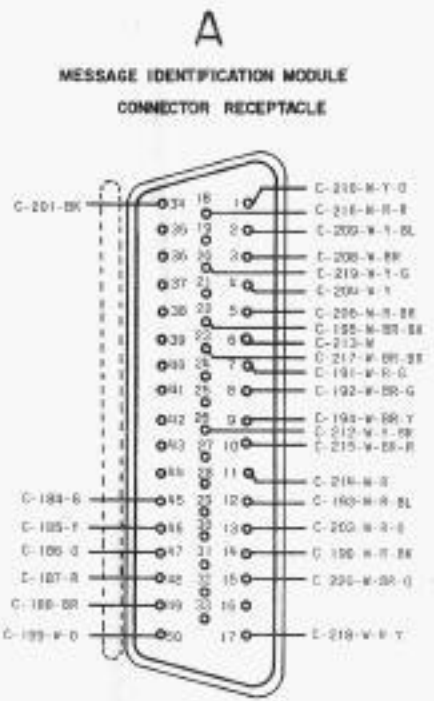
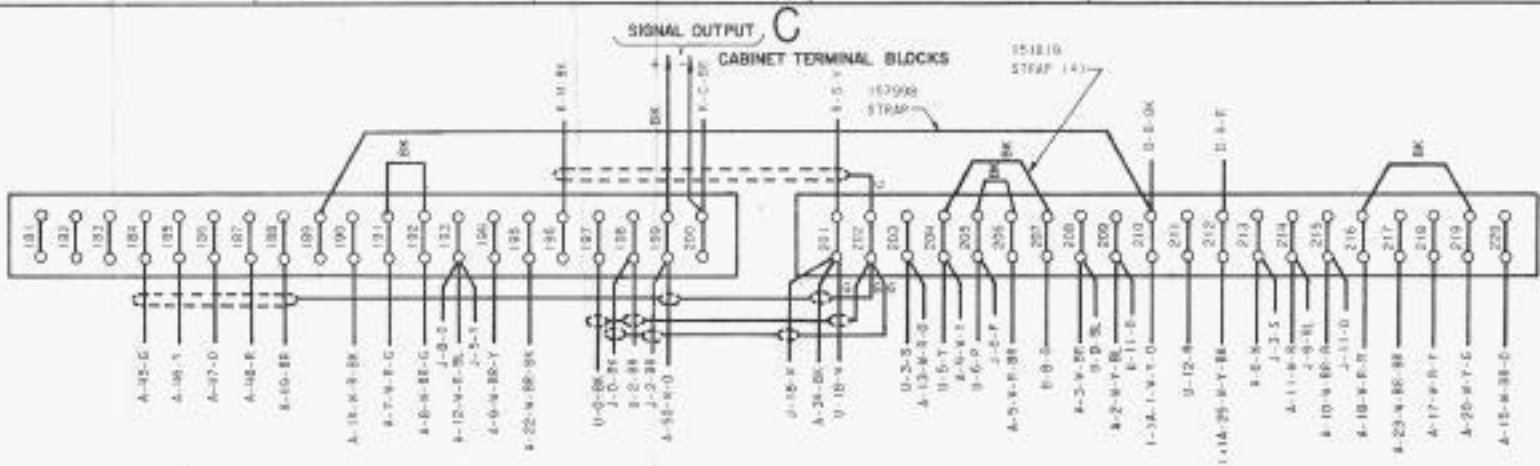


7841 WD

REVISIONS

ISSUE	DATE	AUTH. NO.
1	12-9-66	17356-H

1. WIRING LEGEND:
 - DISTANT TERMINATING AREA
 - DISTANT TERMINATING DESIGNATION
 - WIRE COLOR CODE
2. COLOR CODE:
 BK - BLACK P - PURPLE
 BL - BLUE R - RED
 BR - BROWN W - WHITE
 G - GREEN O - ORANGE
 Y - YELLOW S - SLATE
3. ASSOCIATED CABLE ASSEMBLIES:
 315945 MESSAGE 10 MOBILE CABLE ASSEMBLY
 172656 INNER LXD CABLE ASSEMBLY
 310272 RECTIFIER CABLE ASSEMBLY
 315044 LAM 516, GEN. CABLE ASSEMBLY
 305095 OUTER LXD CABLE ASSEMBLY
 (PART OF LC8802 - TO BE CONNECTED TO CABINET TERMINAL BLOCKS AS SHOWN INSTEAD OF PER 729040)
4. ASSOCIATED SCHEMATIC WIRING DIAGRAM 783240
5. TERMINAL DESIGNATIONS ENCLOSED IN PARENTHESES ARE FOR REFERENCE AND ARE NOT MARKED ON COMPONENT.
6. CAUTION: GOLD PLATED SIGNAL LINE CONTACTS WILL BE DAMAGED UNLESS SPECIAL TEST PROCEDURES ARE FOLLOWED. REFER TO APPLICABLE SPECIFICATION OR BULLETIN.
7. SUGGESTED STRAPPING BY THE CUSTOMER OF THE ORIGINAL TRANSMITTER DISTRIBUTOR CONNECTOR IN THE LESU TO COMPLETE THE LINE SHUNT RELAY CIRCUIT
8. REFERENCE SPEC FOR TELETYPE CORPORATION EMPLOYEES ONLY 51.0725
9. INDICATES SHIELDED CABLE
10. ALL VOLTAGES DC UNLESS OTHERWISE SPECIFIED



ACTUAL
 WIRING DIAGRAM
 FOR VCL517
 COMBINATION TO PROVIDE
 TANDEN MESSAGE
 IDENTIFICATION
 ON MODEL 29 ASR SET

APPROVALS

D AND R	E OF M
<i>[Signature]</i>	<i>[Signature]</i>

E-NUMBER
 PROC. NO. 7841WD
 DATE 9-2-65
 P.D. FILE NO. 21-AD5.219A
 DRAWN G. S. G. CHKD. *[Signature]*
 ENGD. H. E. P. APPD. *[Signature]*

TELETYPE CORPORATION
 7841WD