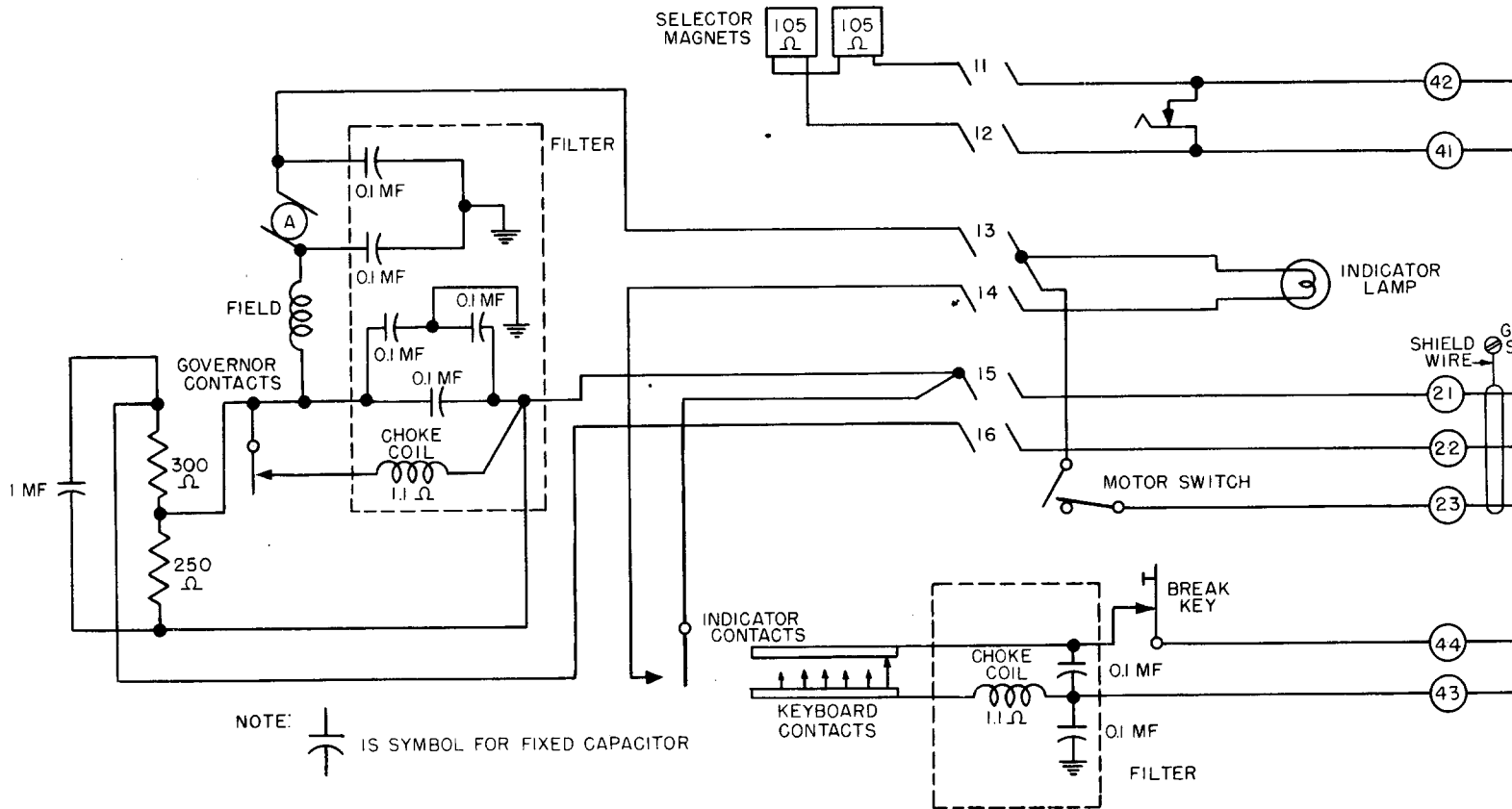


- NOTE
1. BREAK KEY (CIRCUIT)
 2. MOTOR CIRCUIT IS IN DOWN POSITION.
 3. LINE CIRCUIT IS
 4. COLOR CODE:

BK	BLACK
BL	BLUE
BR	BROWN
G	GREEN
O	ORANGE
R	RED
W	WHITE
Y	YELLOW
 5. BASED ON TELETYPE WIRING DIAGRAMS FOR

Figure 312. Wiring diagram for FPR17 typing reperforator unit and FK105 base.



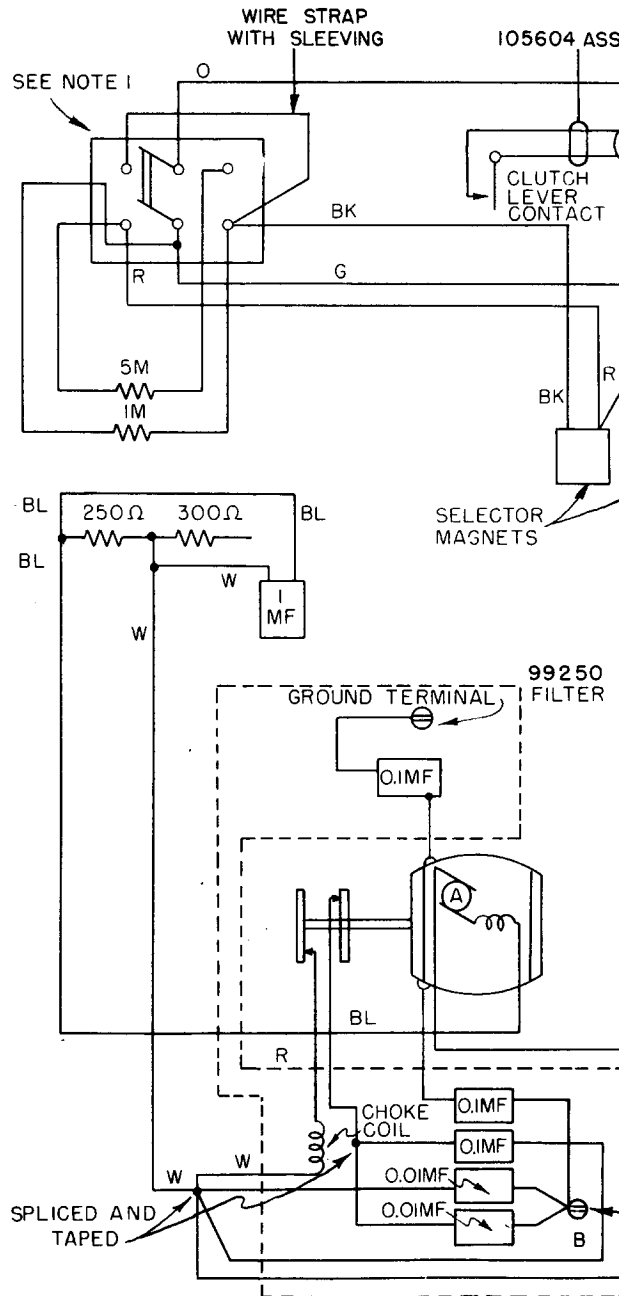
NOTES

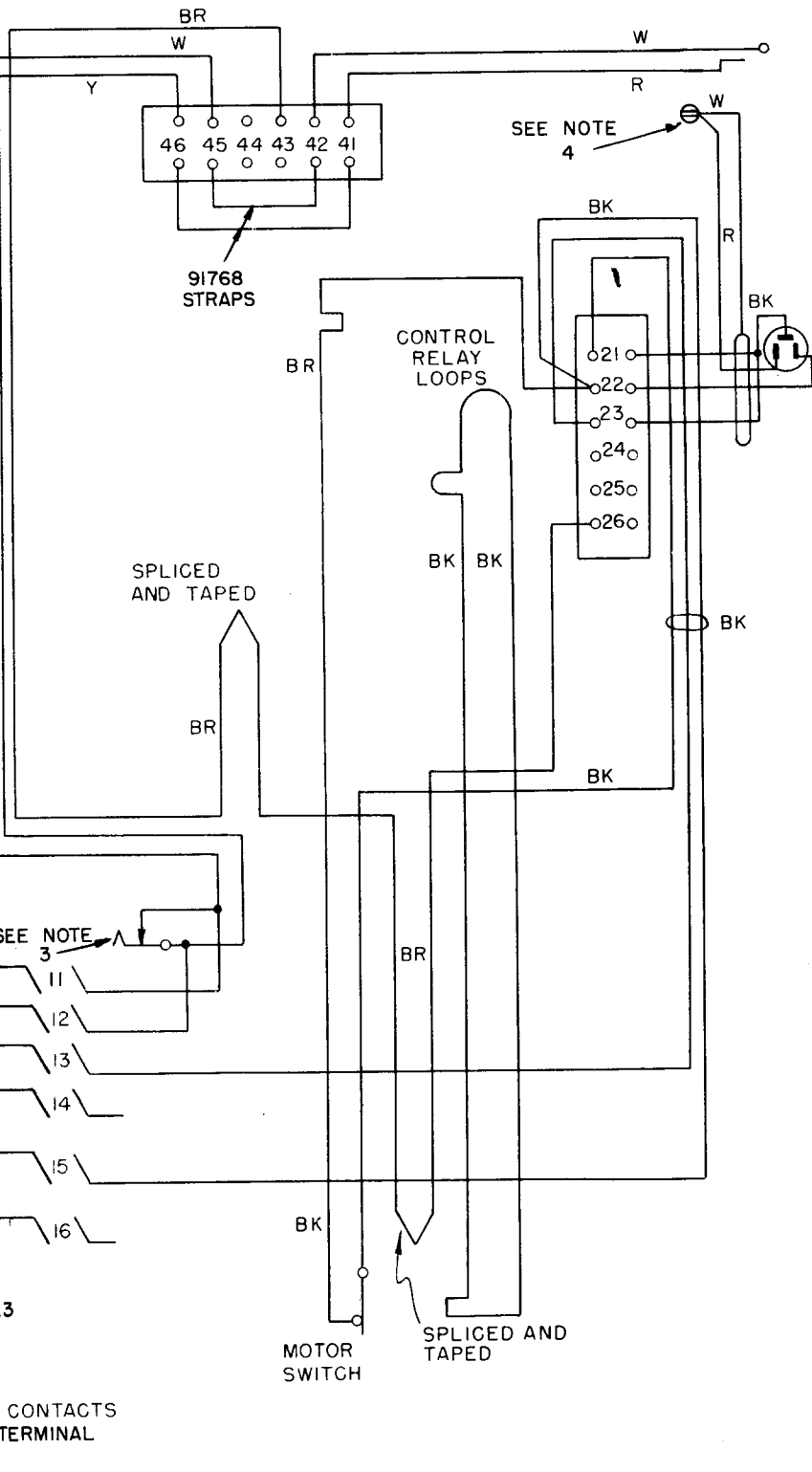
1.	BREAK KEY (CIRCUIT NORMALLY CLOSED; CIRCUIT OPEN WHEN BUTTON IS DEPRESSED).
2.	MOTOR CIRCUIT IS OPEN WHEN SWITCH IS IN UP POSITION, CLOSED WHEN SWITCH IS IN DOWN POSITION.
3.	LINE CIRCUIT IS CLOSED WHEN REPERFORATOR UNIT IS REMOVED.
4.	COLOR CODE: BK BLACK BL BLUE BR BROWN G GREEN O ORANGE R RED W WHITE Y YELLOW
5.	BASED ON TELETYPE WIRING DIAGRAMS 2202-C AND 2282-A.
WIRING DIAGRAMS FOR FPR17 TYPING REPERFORATOR UNIT AND FK105 BASE.	

SCHEMATIC WIRING

NOTE NO.	NOTE
1.	THROW SWITCH HANDLE TO THE RIGHT FOR SERIES MAGNET CONNECTIONS AND TO THE LEFT FOR PARALLEL. SWITCH VIEWED FROM TOP.
2.	97378 MAGNET CORD (ROUTE CORD LEADS OVER TOP OF SELECTOR PLATE).
3.	CONTACTS CLOSE LINE WHEN REPERFORATOR UNIT IS REMOVED FROM BASE.
4.	GROUND TERMINAL IS ON THE COVER OF BASE.
5.	ALL WIRES ARE NO. 18 DELTABESTON COTTON COVERED.
6.	COLOR CODE: BK BLACK BR BROWN R RED W WHITE G GREEN Y YELLOW
7.	BASED ON TELETYPE WIRING DIAGRAM 2224-G.

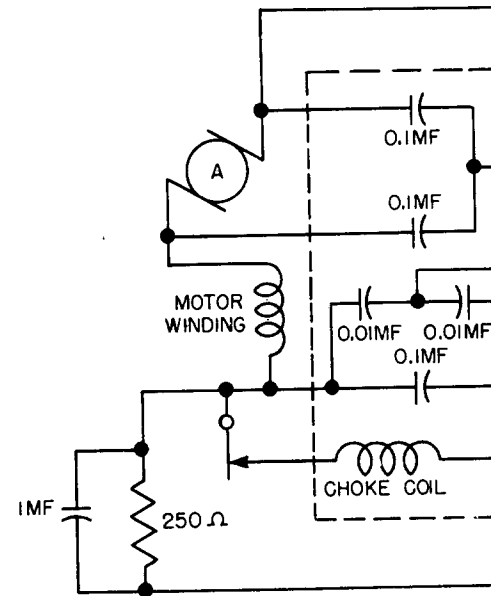
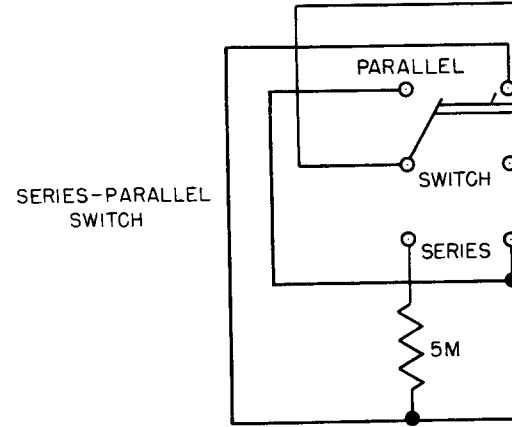
WIRING DIAGRAMS FOR FPR21 TYPING REPERFORATOR UNIT WITH FB43 RECEIVING-ONLY BASE.





RECEIVE LINE
89472 CORD WITH
RED SHELL PLUG

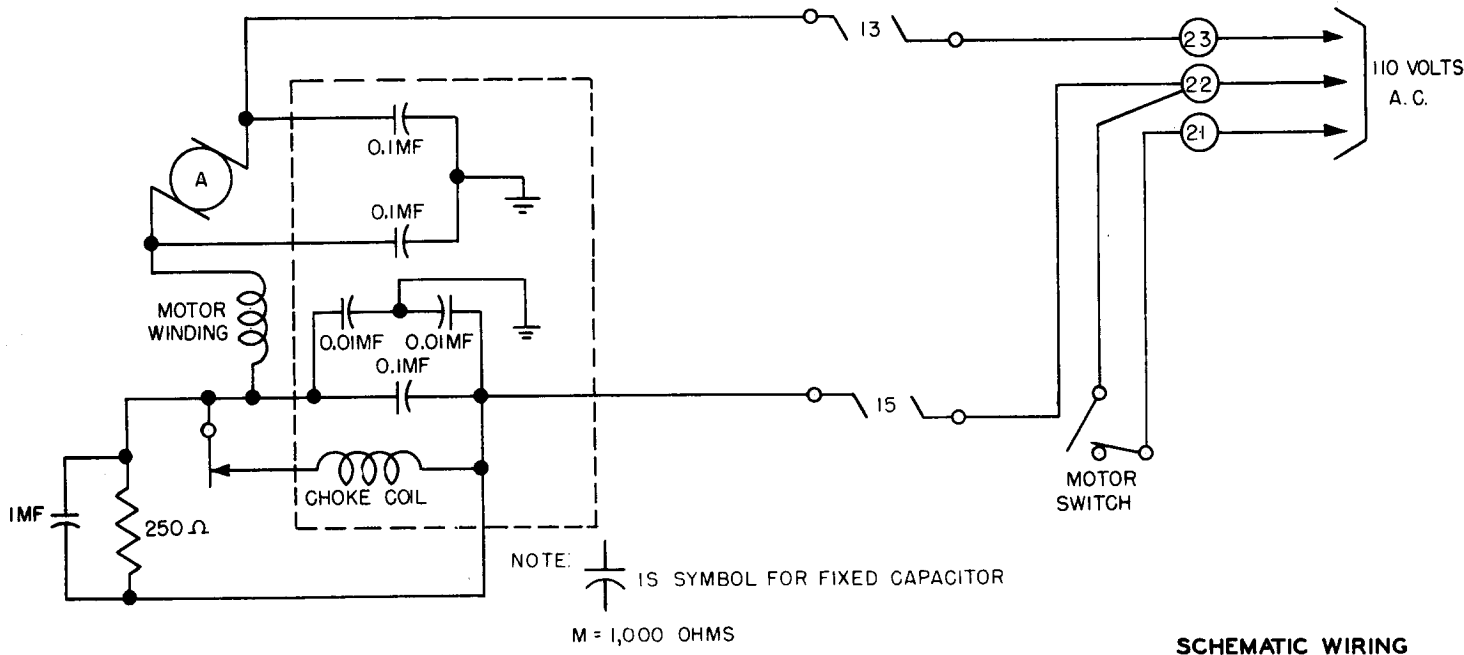
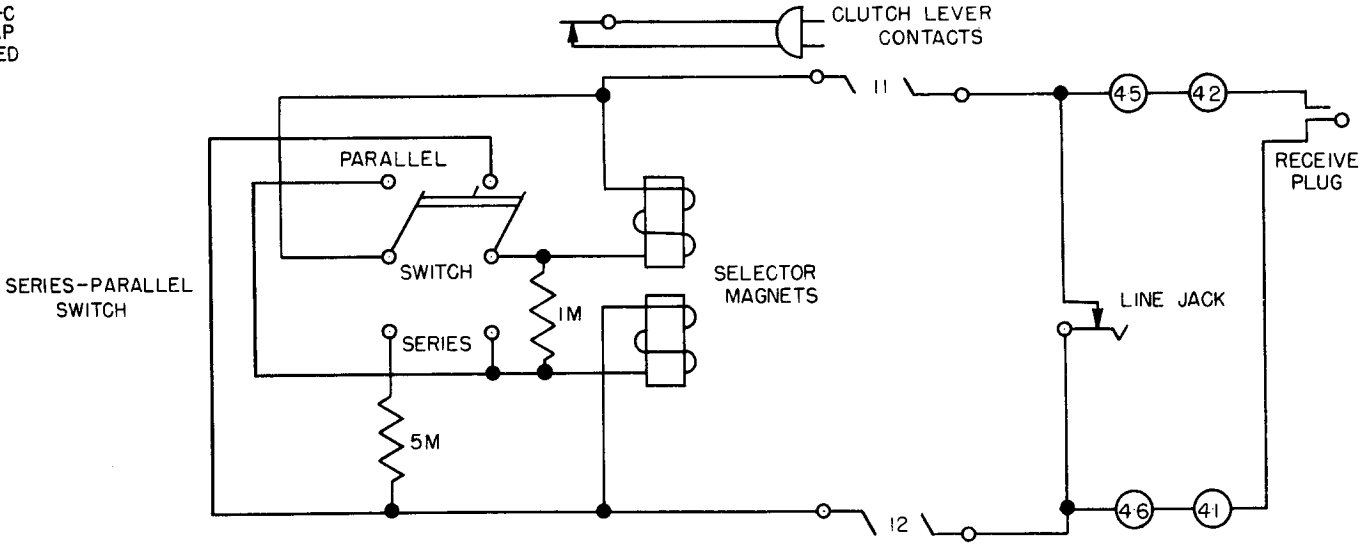
110 VOLTS A-C OR D-C
95052 CORD WITH CAP
PLUG SHOWN AS VIEWED
FROM PRONG END



ACTUAL WIRING

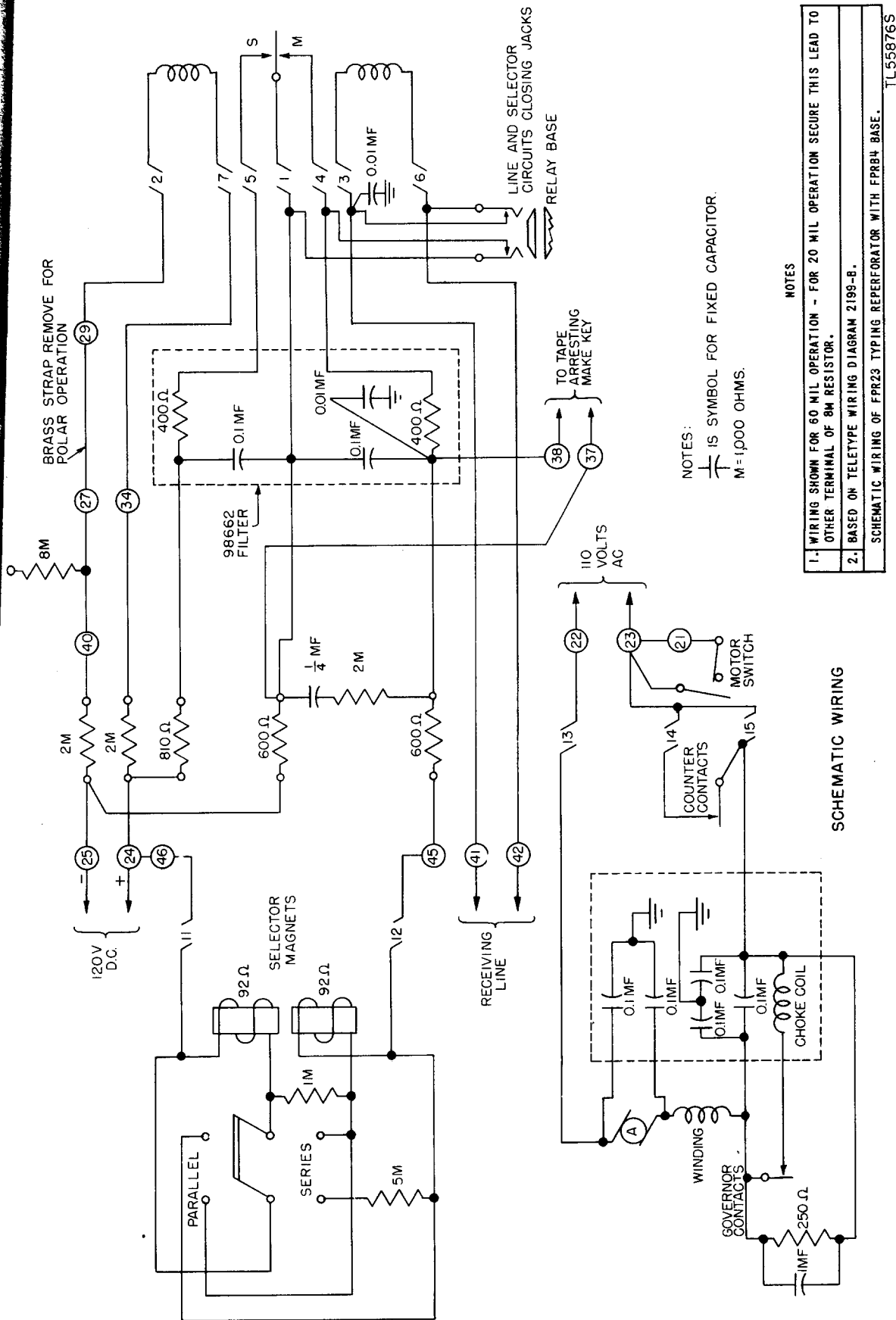
Figure 314. Wiring diagram for FPR21 typing reperforator unit and FB43 base.

D-C
CAP
SWED



SCHEMATIC WIRING

TL55874 S



TL55876S

Figure 315. Schematic wiring diagram for FPR23 typing reperforator with FPRB4 base.

NOTES			
1.	BASE WIRING SHOWN WITHOUT CONTROL RELAY. WHEN CONTROL RELAY IS USED, DISCONNECT ORANGE WIRES FROM BLACK LEADS OF MOTOR SWITCH. SPLICE AND TAPE ORANGE WIRES TOGETHER. CUT LOOP AT SWITCH AND CONNECT TO SWITCH LEADS. CUT LOOP AT CONTROL RELAY AND CONNECT TO CONTROL RELAY TERMINAL. WIRE LOOP AT CONTROL RELAY CONTACTS IS CUT, "G" IS CONNECTED TO "E" FOR BREAK OPERATION AND TO "C" FOR MAKE OPERATION, "F" IS CONNECTED TO "D" IN EITHER CASE.		
2.	FOR BREAK OPERATION INVERT POWER SWITCH TO MAKE "ON" AND "OFF" DESIGNATIONS ON COVER AGREE WITH OPERATION OF SWITCH.		
3.	TO OPERATE UNIT WITHOUT LINE RELAY, REMOVE RED WIRE CONNECTED BETWEEN 24 AND 46 FROM TERMINAL 46 AND TAPE. REMOVE YELLOW WIRE SHOWN FROM TERMINAL 45 AND TAPE. REMOVE RED SHELL CORD WIRES FROM TERMINALS 41 AND 42 AND CONNECT TO TERMINALS 45 AND 46, RED WIRE TO 45- WHITE WIRE TO 46.		
4.	WHEN POLAR SIGNALS ARE USED, REMOVE BRASS STRAP FROM TERMINALS 27 AND 29.		
5.	RY-30 RELAY (W.E. 255A)- 136 OHMS PER WINDING (FOR 0.060 OR 0.020 AMPERE SIGNALING).		
6.	FOR 0.020 AMPERE SIGNAL LINE OPERATION, CONNECT THIS LEAD TO OTHER TERMINAL OF 8000 OHM RESISTOR.		
7.	CONNECTIONS TO TERMINALS 37 AND 38 GO TO OUTSIDE MAKE KEY FOR ARRESTING TAPE.		
8.	SERIES-PARALLEL SWITCH. THROW SWITCH HANDLE TO THE RIGHT FOR SERIES MAGNET CONNECTIONS AND TO THE LEFT FOR PARALLEL.		
9.	97378 MAGNET CORD- ROUTE CORD LEADS OVER TOP OF SELECTOR PLATE.		
10.	COLOR CODE:		
BK	BLACK	G	GREEN
BL	BLUE	Y	YELLOW
W	WHITE		
R	RED		
11.	ASSOCIATE CABLES:		
	LINE RELAY CABLE 105920		
	BASE CABLE 105700		
12.	ALL WIRE NO. 20 DELTABESTON COTTON COVERED FIXTURE WIRE EXCEPT MOTOR AND POWER LEADS.		
13.	CONTACTS CLOSED WHEN RELAY IS REMOVED FROM SLIP CONNECTIONS.		
14.	BASED ON TELETYPE WIRING DIAGRAM 2199-B.		
ACTUAL WIRING DIAGRAM FOR FPR23 TYPING REPERFORATOR WITH FPR34 BASE.			

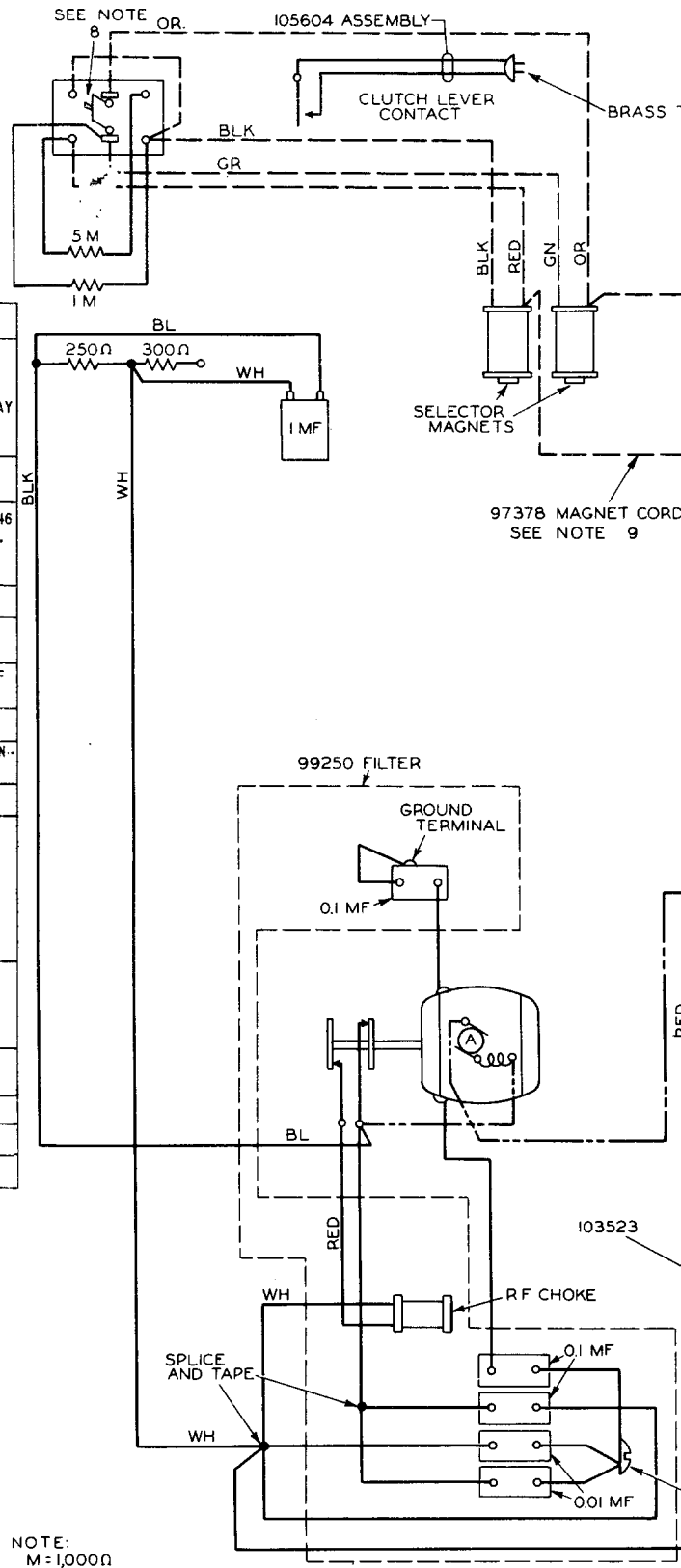
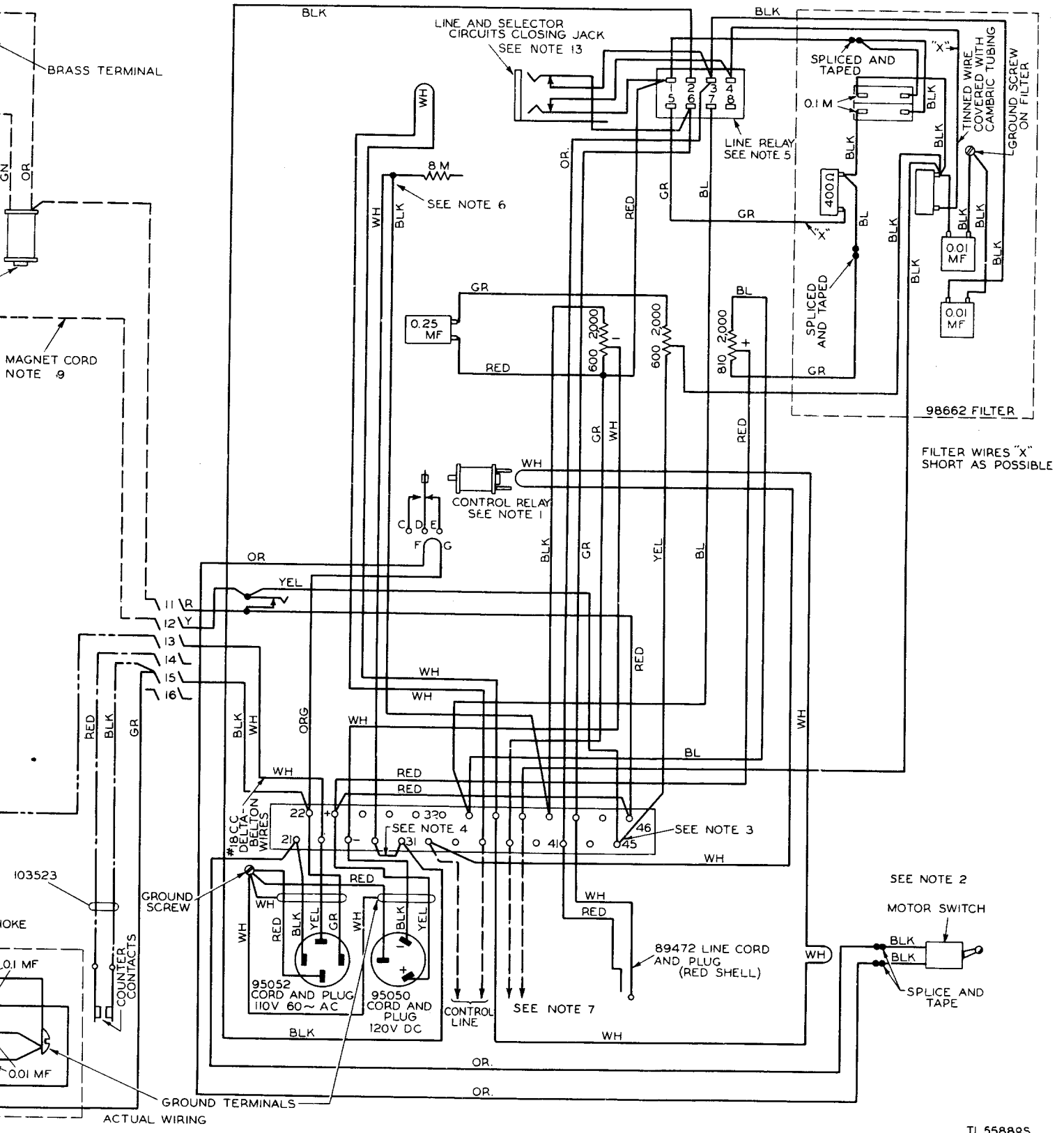
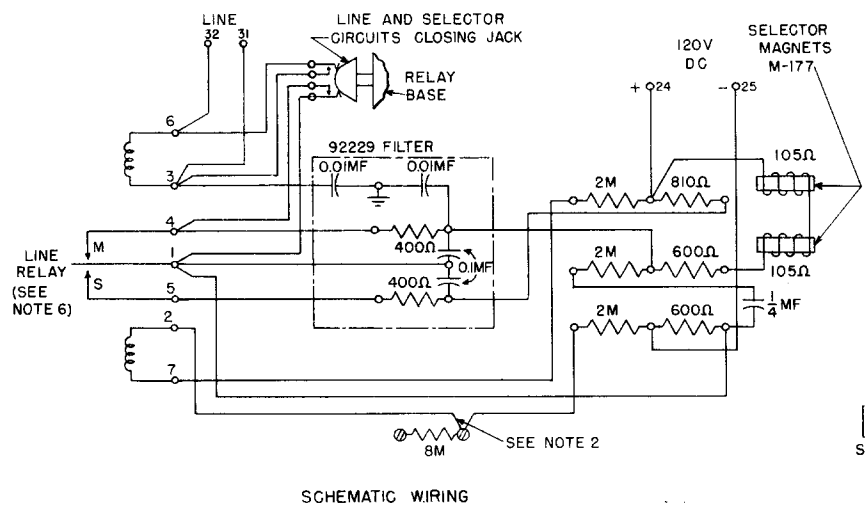
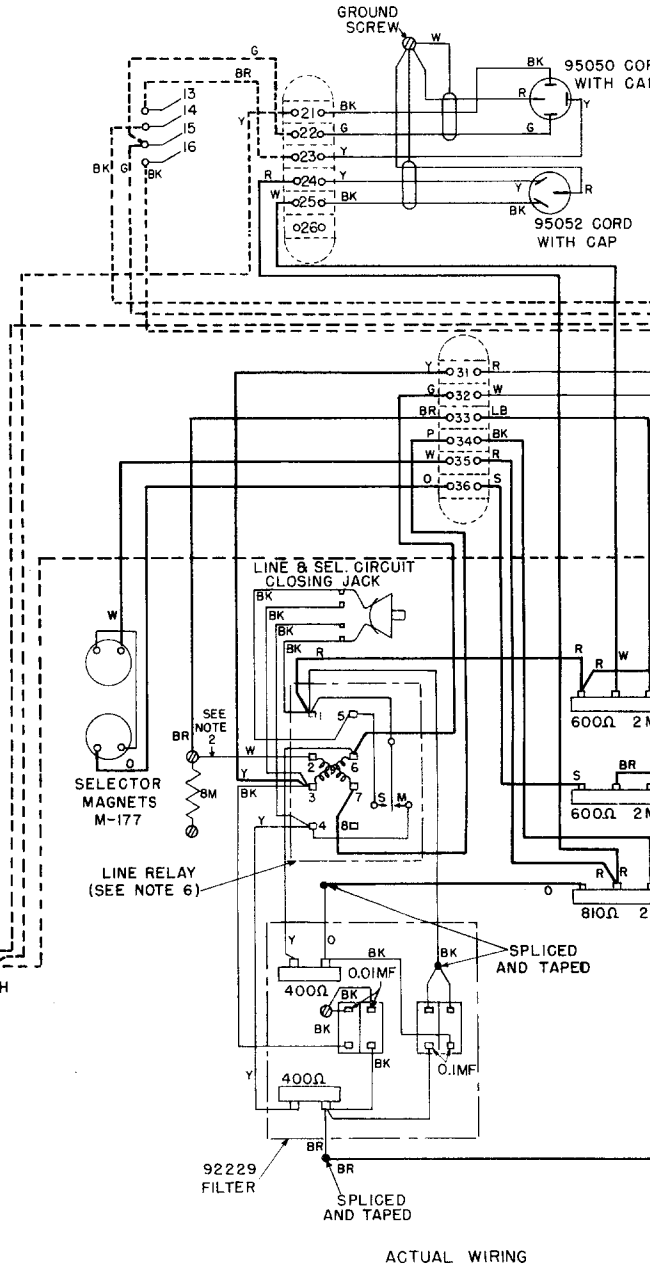
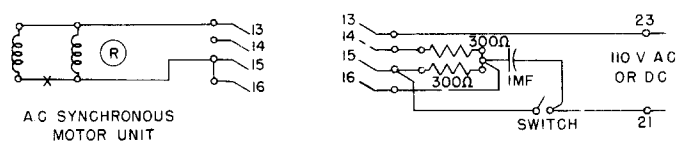
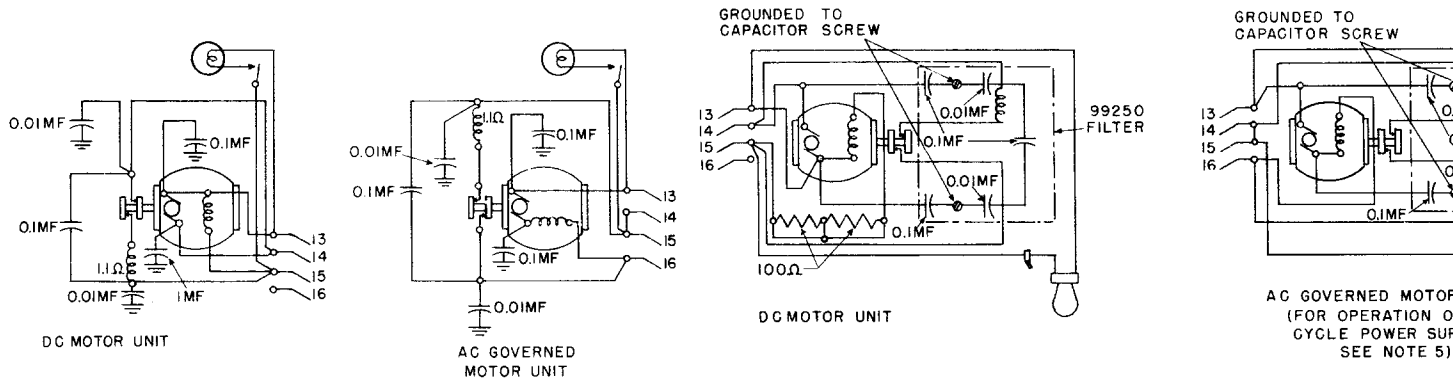


Figure 316. Actual wiring diagram for FPR23 Typing Reperforator with FPR34 Base.



TL 558895

Diagram for FPR23 typing reperforator with FPRB4 base.



NOTE
M=1000Ω

⎓ IS SYMBOL FOR FIXED CAPACITOR.

Figure 317. Wiring diagram for RPE26 nontyping reperforator.

