

TOP VIEW FROM RIGHT SIDE

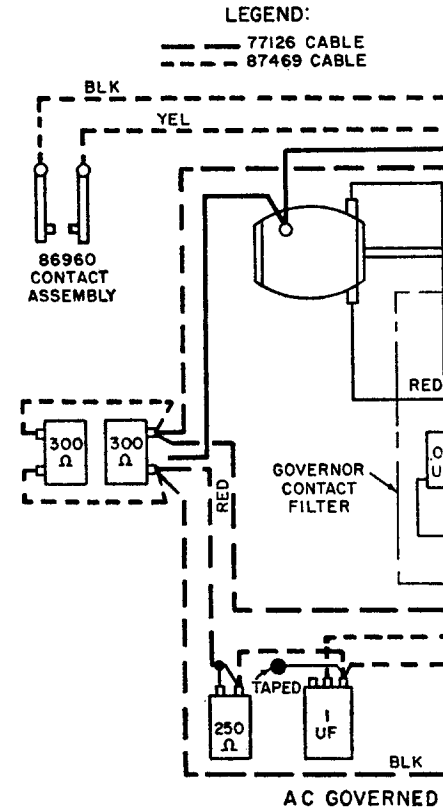
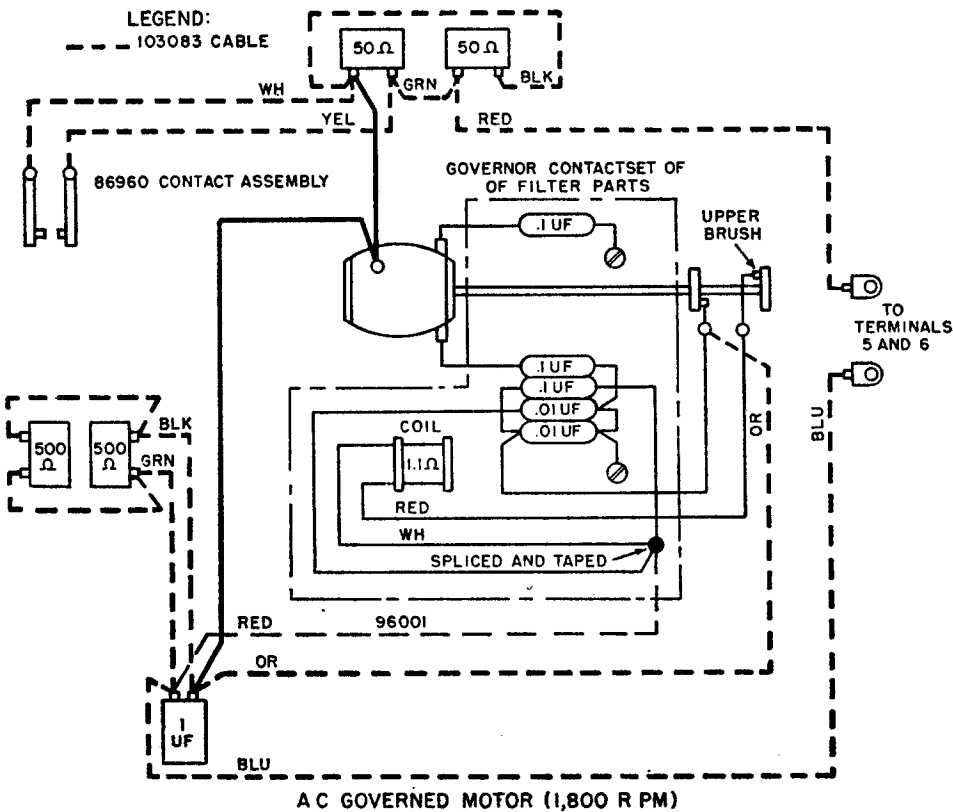
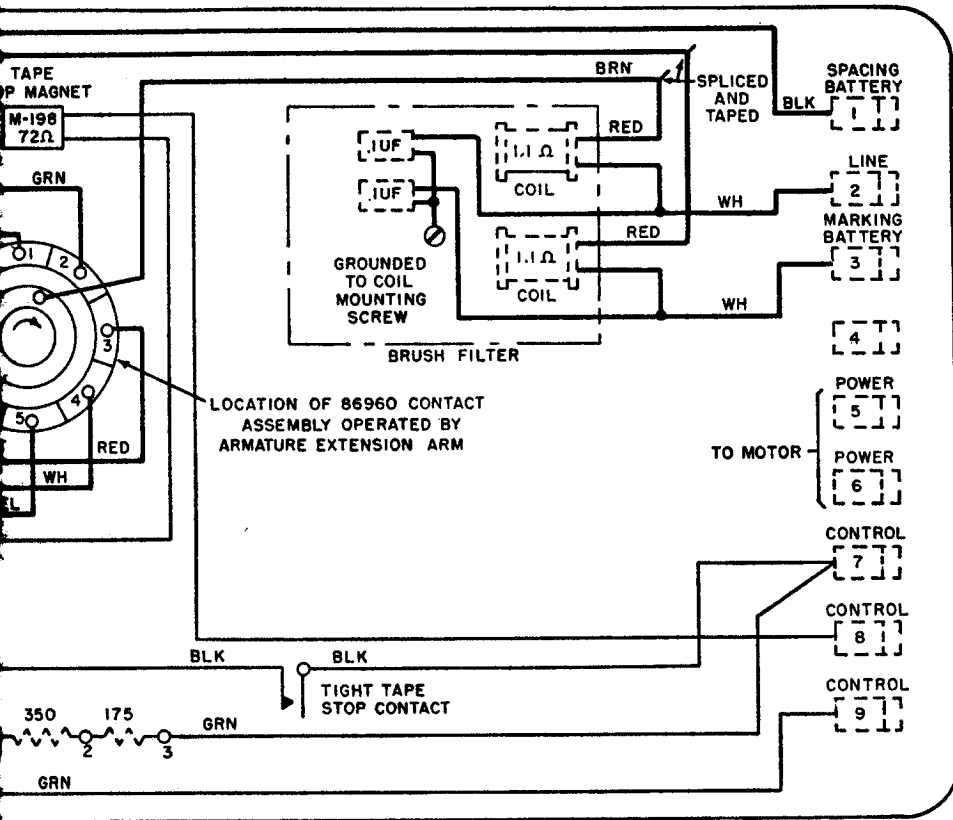


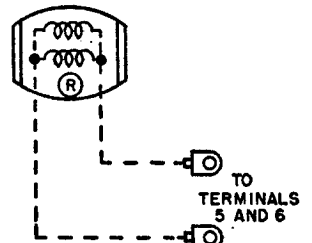
Figure 97. Transmitter Distributor TT-52/FG, used with fixed plant equipment, v



TOP VIEW FROM RIGHT SIDE

**NOTES:**

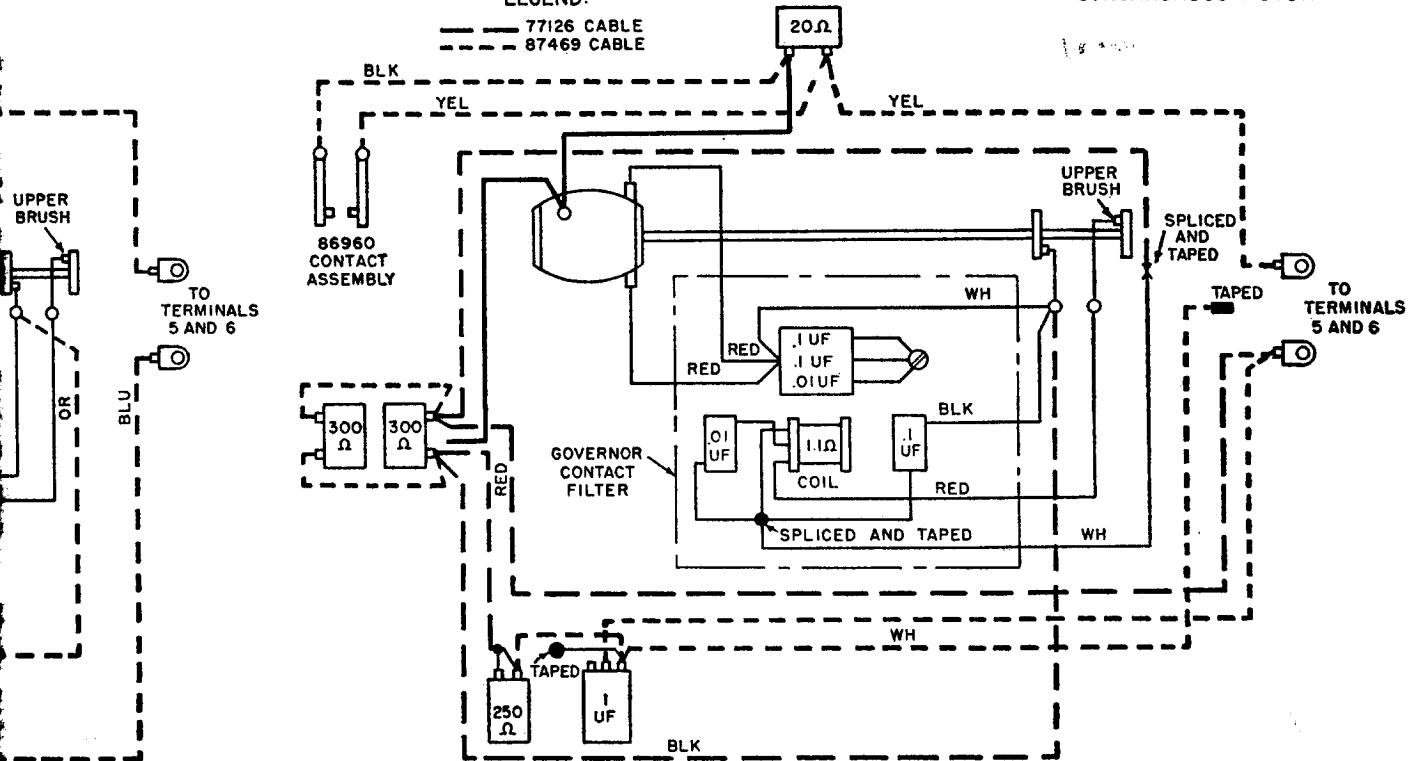
1. PARTS SHOWN DOTTED ARE BENEATH BASE.
2. --- THIN LINES INDICATE WIRES NOT IN CABLE.  
ASSOCIATED CABLES:  
— 77135  
— 77136
3. CONNECT LEADS FOR POLAR OPERATION.
4. WHEN SHIPPED RESISTOR IS CONNECTED FOR OPERATION ON 115 V, DC (WITHOUT STRAP). FOR OPERATION ON 115 V, 50 TO 60 CYCLE AC, STRAP TERMINALS 1 AND 2. FOR OPERATION ON 115 V, 25 CYCLE AC, STRAP TERMINALS 2 AND 3.
5. BASED ON TELETYPE WIRING DIAGRAM 2084-F.
6. UNLESS OTHERWISE SHOWN, RESISTORS ARE IN OHMS, CAPACITORS ARE IN UUF.



SYNCHRONOUS MOTOR

**LEGEND:**

- 77126 CABLE
- 87469 CABLE



AC GOVERNED MOTOR (2,102 R PM)

TM 2222-176