

FIG. 3  
POWER CONNECTIONS TO NO. 15 TELETYPEWRITER

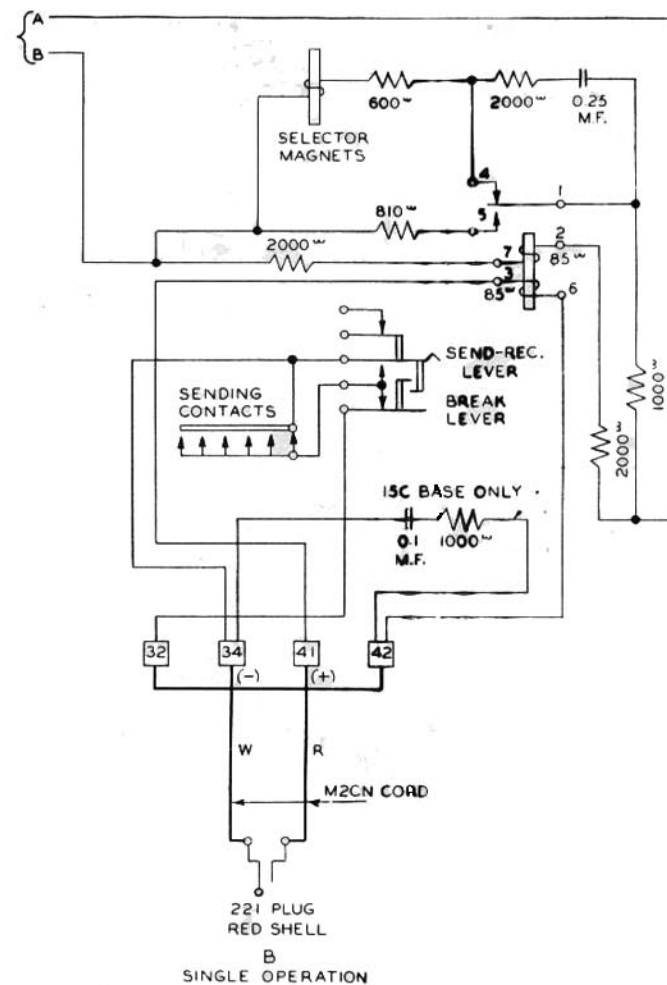


FIG. 4  
LINE CONNECTIONS TO NO. 15 TELETYPEWRITER-WITH LINE RELAY

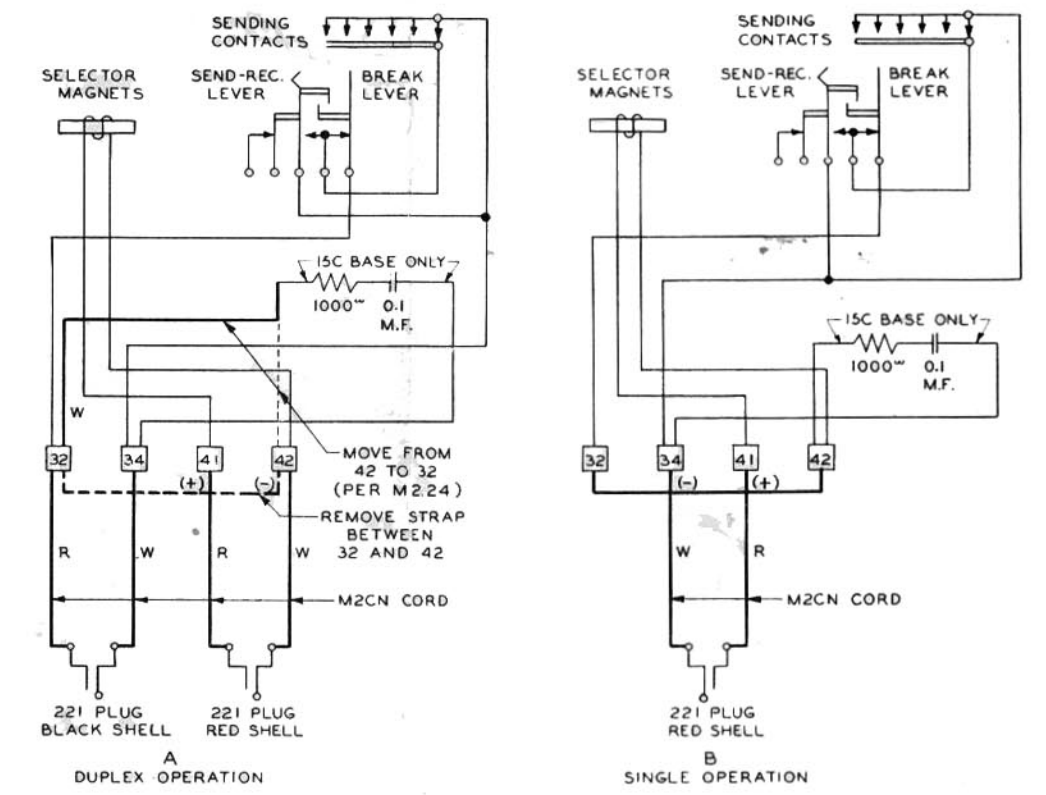


FIG. 5  
LINE CONNECTIONS TO NO. 15 TELETYPEWRITER-WITHOUT LINE RELAY

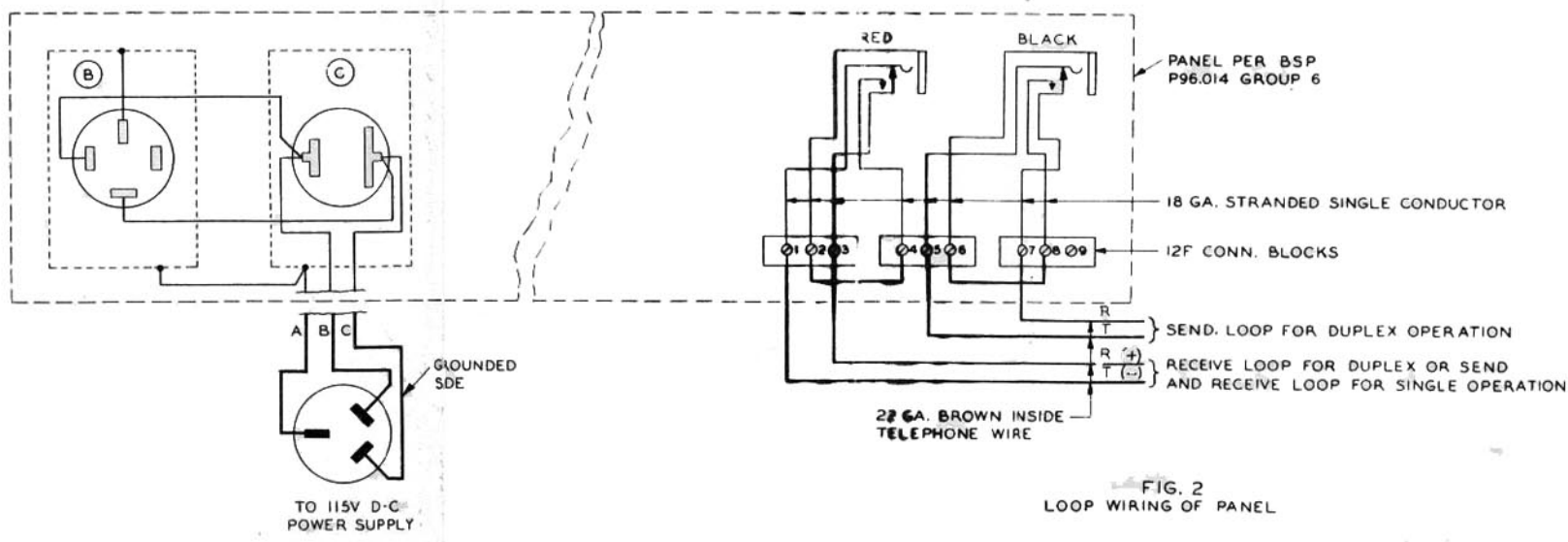


FIG. 1  
POWER WIRING OF PANEL

FIG. 2  
LOOP WIRING OF PANEL

SEE SECTION P96.024 OR P96.014 FOR  
DETAILS OF POWER AND LOOP PANEL.  
SEE SECTION P96.015 FOR ARRANGEMENT  
OF CUSTOMER TABLE.

NOTE 1-USE SAME WIRING FOR 1178521 ELEC.  
SERV. ASSEMBLY.

TYPE	POWER DRAINS (AMPS.)	
	D-C DRAIN	D-C SHUNT
MOTOR	START	RUN
D-C SHUNT	4.6	0.6

TELEGRAPH SYSTEMS  
NO. 15 TELETYPEWRITER  
TELETYPEWRITER STATIONS  
PRIVATE LINE SERVICE  
CUSTOMER PROVIDED TABLE  
WIRING OF POWER AND LOOP PANEL  
AND CONNECTIONS TO TTY  
D-C POWER