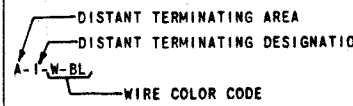


2892 WD

REVISIONS

ISSUE	DATE	AUTH. NO.
A 2	7-8-55	28-5583
B 3	1-26-56	28-6213
C 4	5-8-57	28-7615
5	3-28-62	69768-10

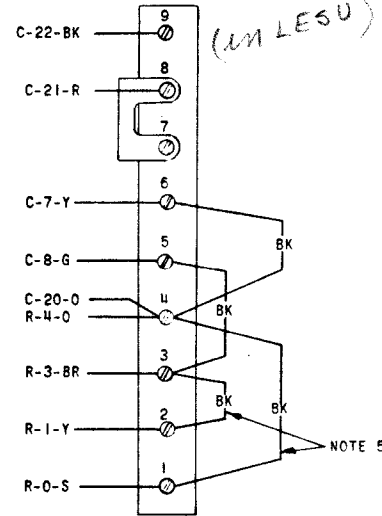
- NO. NOTES
1. WIRING LEGEND:

 2. COLOR CODE:

BK - BLACK	G - GREEN
BR - BROWN	BL - BLUE
R - RED	P - PURPLE
O - ORANGE	W - WHITE
Y - YELLOW	S - SLATE
 3. UNIT WIRED FOR 115 VOLTS, 50 TO 60 CYCLE A.C. POWER INPUT ONLY.
 4. PLUGS VIEWED FROM SOLDER TERMINAL ENDS.
 5. CIRCUITS SHOWN FOR .060 AMP. NEUTRAL SIGNAL LINE OPERATION. FOR .020 AMP. OPERATION, REMOVE AND ADD CONNECTIONS AS TABULATED BELOW:

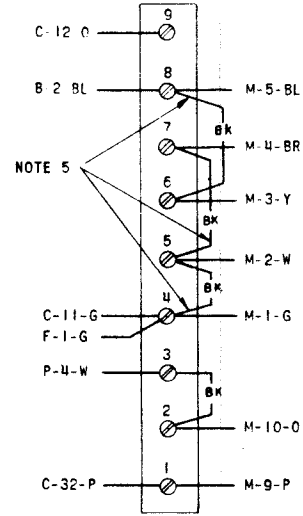
SIGNAL LINE CURRENT	CONNECTIONS REMOVED	CONNECTIONS ADDED
.020 AMP.	A1-A4, A2-A3, D4-D5, D5-D7, D6-D8	A1-A2*, D6-D7

* PLACE TWO STRAPS IN PARALLEL
 6. THE SPARE LEADS FROM THE KEYBOARD (OR RECEIVE-ONLY BASE) AND TYPING UNIT CONNECTOR PLUGS ARE TERMINATED IN THE RIGHT AND LEFT ENDS OF THE ELECTRICAL SERVICE UNIT, RESPECTIVELY.
 7. LINE SHUNT RELAY SHOWN CONTROLLED BY MOTOR CONTROL CONTACTS AND SHUNTING SELECTOR MAGNETS AND KEYBOARD SIGNAL GENERATOR CONTACTS.
 - A. IF KEYBOARD SHUNTING IS NOT DESIRED, REMOVE THE BLACK STRAP CONNECTED BETWEEN TERMINALS C-10 AND C-13 AND CONNECT TERMINALS C-9 AND C-13.
 - B. FOR DIRECT CONTROL OF THE LINE SHUNT RELAY FROM THE POWER SWITCH, REMOVE STRAP BETWEEN TERMINALS C-34 AND C-37 AND CONNECT TERMINALS C-34 AND C-35. TERMINAL C-13 MAY THEN BE CONNECTED TO EITHER TERMINALS C-9, C-10, C-11, OR C-15 TO OBTAIN THE DESIRED SHUNTING OF THE SIGNAL LINE CIRCUIT.
 8. REMOVE THIS STRAP WHEN ASSOCIATED KEYBOARD OR RECEIVE-ONLY BASE IS EQUIPPED WITH AN ELECTRICAL BREAK SWITCH.
 9. FOR SCHEMATIC WIRING DIAGRAM, SEE 2893WD.

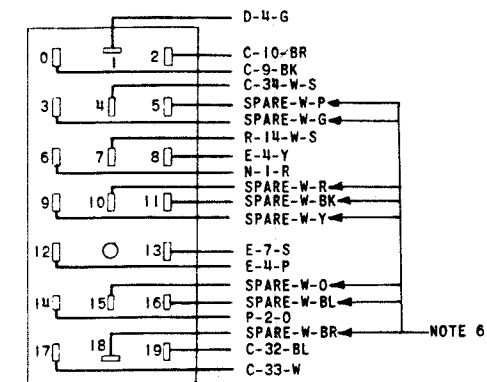
A
SELECTOR MAGNET TERMINAL BLOCK



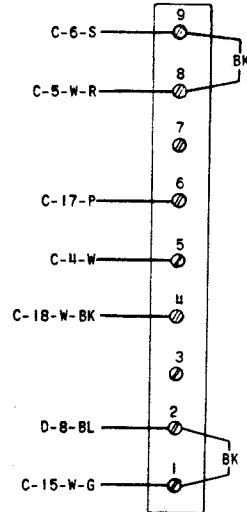
D
MOTOR CONTROL TERMINAL BLOCK



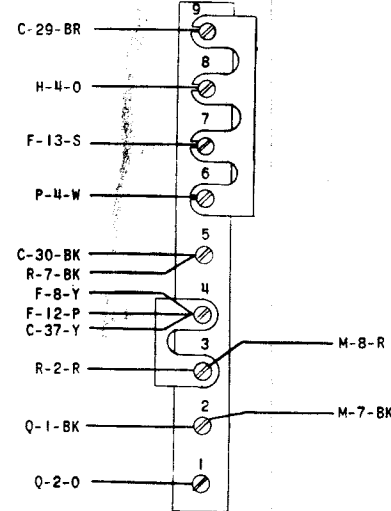
F
KEYBOARD OR RECEIVING ONLY BASE CONNECTOR PLUG



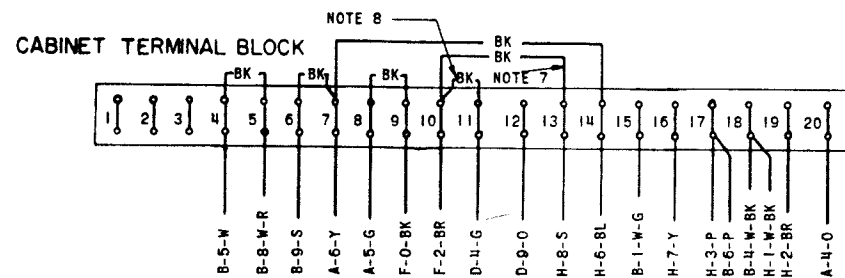
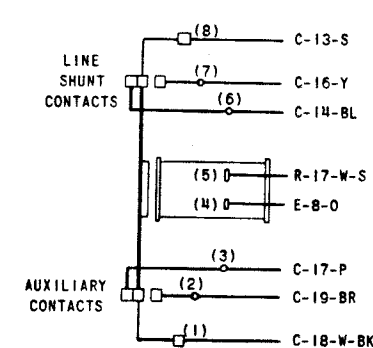
B
LINE TEST KEY TERMINAL BLOCK



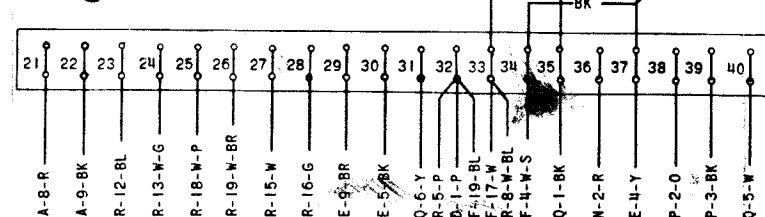
E
POWER TERMINAL BLOCK



H
LINE SHUNT RELAY



C
CABINET TERMINAL BLOCK



TO CABINET GROUND SCREW

ELECTRICAL SERVICE UNIT GROUND SCREW

SHEET 1 OF 2

ACTUAL WIRING DIAGRAM FOR MODEL 28 ELECTRICAL SERVICE UNIT LESU7/147, 191 WITH ELECTRICAL MOTOR CONTROLS 153251(147) & 152336(191)

APPROVALS

D AND R	E OF M
-----	-----

E-NUMBER

PROD. NO. 2892WD

DATE 1-24-55

P.D. FILE NO. 1-30.65.156A

DRAWN U.S. ENG. CHKD. R.D.S.

ENG. B.M.R. APPD.

TELETYPE CORPORATION

2892 WD