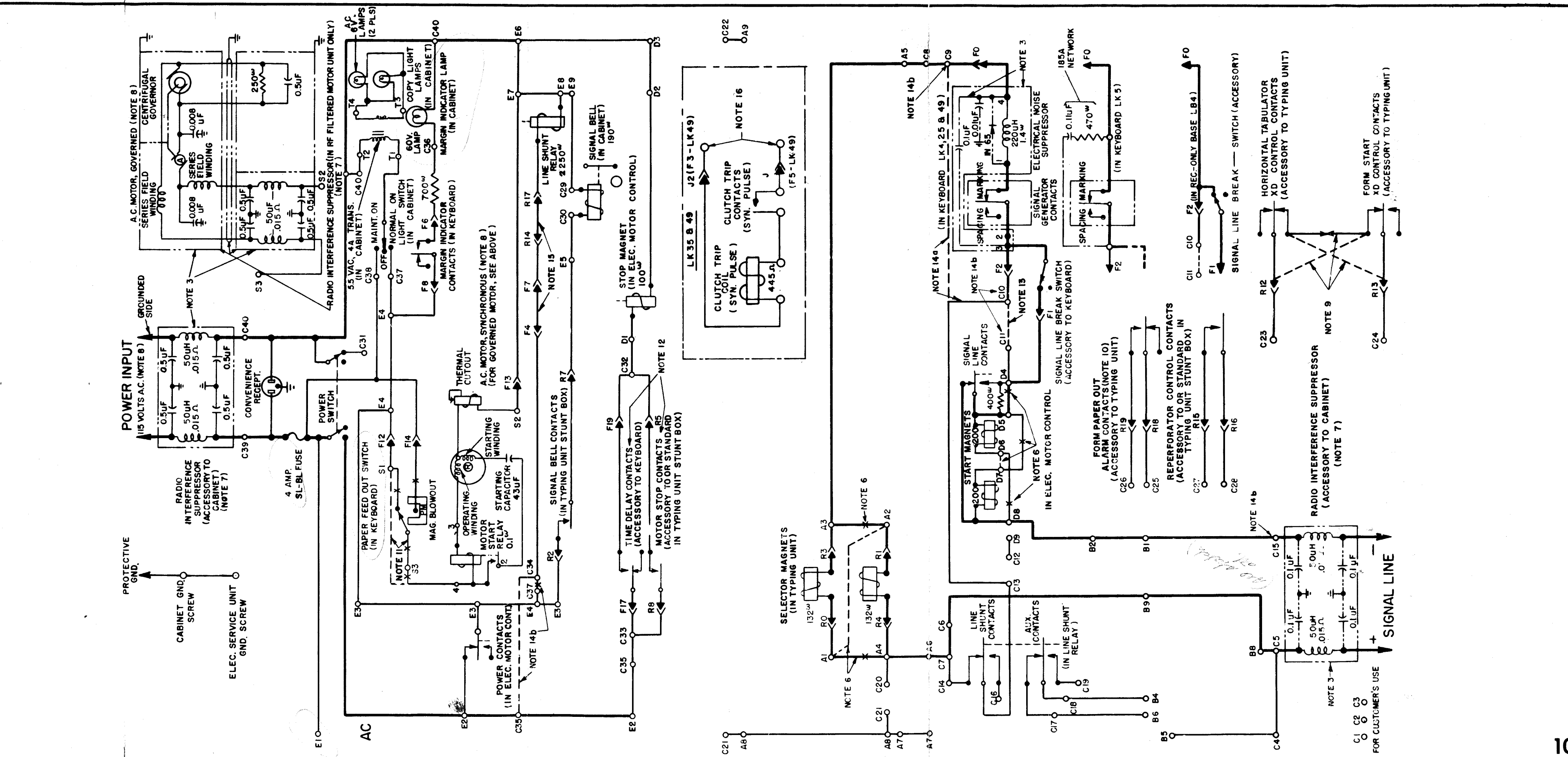


22 RTTY
 LAC 204
 52556
 7/147
 LMU 3
 11441/196
 152950
 152713-A
 1308r (52556)
 152950
 152713-A
 1308r (52556)
 152950
 152713-A

NO.	NOTES
1.	FOR ACTUAL WIRING DIAGRAMS OF INDIVIDUAL UNITS, SEE: WD NUMBER UNITS DIRECTLY OPERABLE WITH LESU7 2883 WD BASE, RECEIVING ONLY - LB 4 3236 WD CABINETS LAC203, 204, 205 2892 WD ELECTRICAL SERVICE UNIT LESU7/147 4718 WD KEYBOARDS - LK 35 2882 WD KEYBOARDS - LK 4, 5 6462 WD KEYBOARDS - LK 49 2900 WD MOTOR UNITS - LMU 3, 4, 6 3214 WD PAGE TYPING UNITS - LP 14 2864 WD PAGE TYPING UNITS - LP 4, 5, 7 2880 WD PAGE TYPING UNITS - LP 6, 8
2.	LEGEND: ○ A SELECTOR MAGNET TERMINAL BLOCK (IN LESU) ○ B LINE TEST KEY TERMINAL BLOCK (IN LESU) ○ C CABINET TERMINAL BLOCK ○ D MOTOR CONTROL TERMINAL BLOCK (IN LESU) ○ E POWER TERMINAL BLOCK (IN LESU) ◁ F KEYBOARD OR REC. ONLY BASE CONNECTOR ◁ R TYPING UNIT CONNECTOR ○ S MOTOR TERMINAL BLOCK (ON LK)
3.	DOT DASH --- LINES INDICATE FILTERING, SHIELDING AND SUPPRESSION NETWORKS.
4.	ALL APPARATUS IS SHOWN IN UNOPERATED OR DE-ENERGIZED POSITIONS.
5.	a. RESISTANCE VALUES IN OHMS (Ω) b. INDUCTANCE VALUES IN MICROHENRIES (μH) c. CAPACITANCE VALUES IN MICROFARADS (μF)
6.	CIRCUITS SHOWN FOR .060 AMP. NEUTRAL SIGNAL LINE OPERATION FOR .020 AMP. LINE CURRENT, ADD DASHED (---) CONNECTIONS AND OMIT CONNECTIONS MARKED (---) IN SELECTOR MAGNETS AND ELEC. MOTOR CONTROL START MAGNETS CIRCUITS.
7.	a. USE POWER AND SIGNAL LINE SUPPRESSORS AND SYNC. OR GOV.-FLT. MOTOR FOR INSTALLATIONS REQUIRING MINIMUM R.F. INTERFERENCE. b. FOR OTHER INSTALLATIONS, OMIT SUPPRESSORS AND CONNECT INPUTS AND GOV. MOTOR, IF USED, DIRECT TO TERMINALS SHOWN.
8.	USE SYNCHRONOUS MOTOR ON REGULATED 60~ (±1%) A.C. POWER ONLY. GOVERNED MOTOR AND OTHER POWER CIRCUITS OPERABLE ON 50-60~ UNREGULATED. A.C.
9.	CIRCUIT SHOWS BOTH HORIZONTAL TABULATOR AND FORM START CONTROL USED ON TYPING UNIT. WHEN ONLY ONE CONTROL IS USED, OMIT CONNECTION MARKED (---) AND ADD PROPER DASHED (---) CONNECTION IN TYPING UNIT CIRCUITS.
10.	FORM PAPER OUT ALARM CONTACTS MAY BE MOUNTED ON EITHER THE TYPING UNIT OR EXTERNAL TO THE CABINET. IN LATTER EVENT, CONNECTIONS ARE MADE DIRECTLY TO TERMINALS C25 AND C26.
11.	WHEN PAPER FEED-OUT SWITCH IS NOT USED ADD DASHED (---) CONNECTIONS AND OMIT CONNECTIONS MARKED (---) IN MOTOR POWER CIRCUITS.

NO.	NOTES
12.	TO OPERATE MOTOR CONTROL, SET MUST BE EQUIPPED WITH EITHER: (A) TIME DELAY MECH., OR (B) MOTOR STOP CONTACTS.
13.	CIRCUITS SHOW A SIGNAL LINE BREAK SWITCH IN BOTH KEYBOARD AND RECEIVING ONLY BASE. WHEN SWITCH IS NOT USED, ADD DASHED (---) CONNECTIONS AND OMIT CONNECTIONS MARKED (---)
14.	a. LINE SHUNT RELAY SHOWN CONTROLLED BY MOTOR CONTROL CONTACTS AND SHUNTING SELECTOR MAGNETS AND KEYBOARD SIGNAL GENERATOR CONTACTS. SHUNTING CIRCUIT CONNECTION TO C13 MUST BE MOVED FROM C10 TO C9 IF KEYBOARD SHUNTING IS NOT REQUIRED OR WHEN SIGNAL LINE BREAK SWITCH IS ABSENT. b. FOR DIRECT CONTROL OF LINE SHUNT RELAY FROM POWER SWITCH, ADD DASHED (---) CONNECTION AND OMIT CONNECTION MARKED (---) AT CABINET TERMINALS C34, C35, AND C37. CUSTOMER MAY THEN SELECT PORTION OF SIGNAL LINE CIRCUIT TO BE SHUNTED BY CONNECTING TERMINAL C13 TO EITHER C9, C10, C11 OR C15.
15.	IF LK3 KEYBOARD, LB3 REC. ONLY BASE, OR LP3 TYPING UNIT IS TO BE USED WITH LESU7/147, 8191, STRAP F4 TO F7 AND/OR R14 TO R17 MUST BE ADDED TO ITS CONNECTOR, IN ORDER TO COMPLETE LINE SHUNT RELAY CIRCUIT. (EITHER STRAP MAY ALREADY BE IN CIRCUIT)
16.	CONNECTED BY CUSTOMER, TO TWO OPEN CABINET TERMINALS.



2893 WD		
REVISIONS		
ISSUE	DATE	AUTH. NO.
1	7-8-55	28-5583
2	8-4-55	28-5619
3	12-31-55	28-7216
4	7-11-57	28-7723
5	1-3-62	72044
6	3-28-62	6976-10
7	10-11-63	74301
8	11-20-63	78859
9	1-3-66	88875

SCHEMATIC WIRING DIAGRAM MODEL 28 PAGE PRINTER SET WITH FACILITIES PROVIDED BY ELEC. SERVICE UNIT LESU7/147, 191 AND ASSOCIATED UNITS WITH ELEC. MOTOR CONTROL 153251(147)152336(191)

APPROVALS	
D AND R	E OF M
E-NUMBER	
PROD. NO.	
DATE: 1-24-66	
P.D. FILE NO. 177-60-10-4	
DRAWN: J. E. N. CMKD	
ENGD. B. H. N.	APPD

TELETYPE CORPORATION
 2893 WD