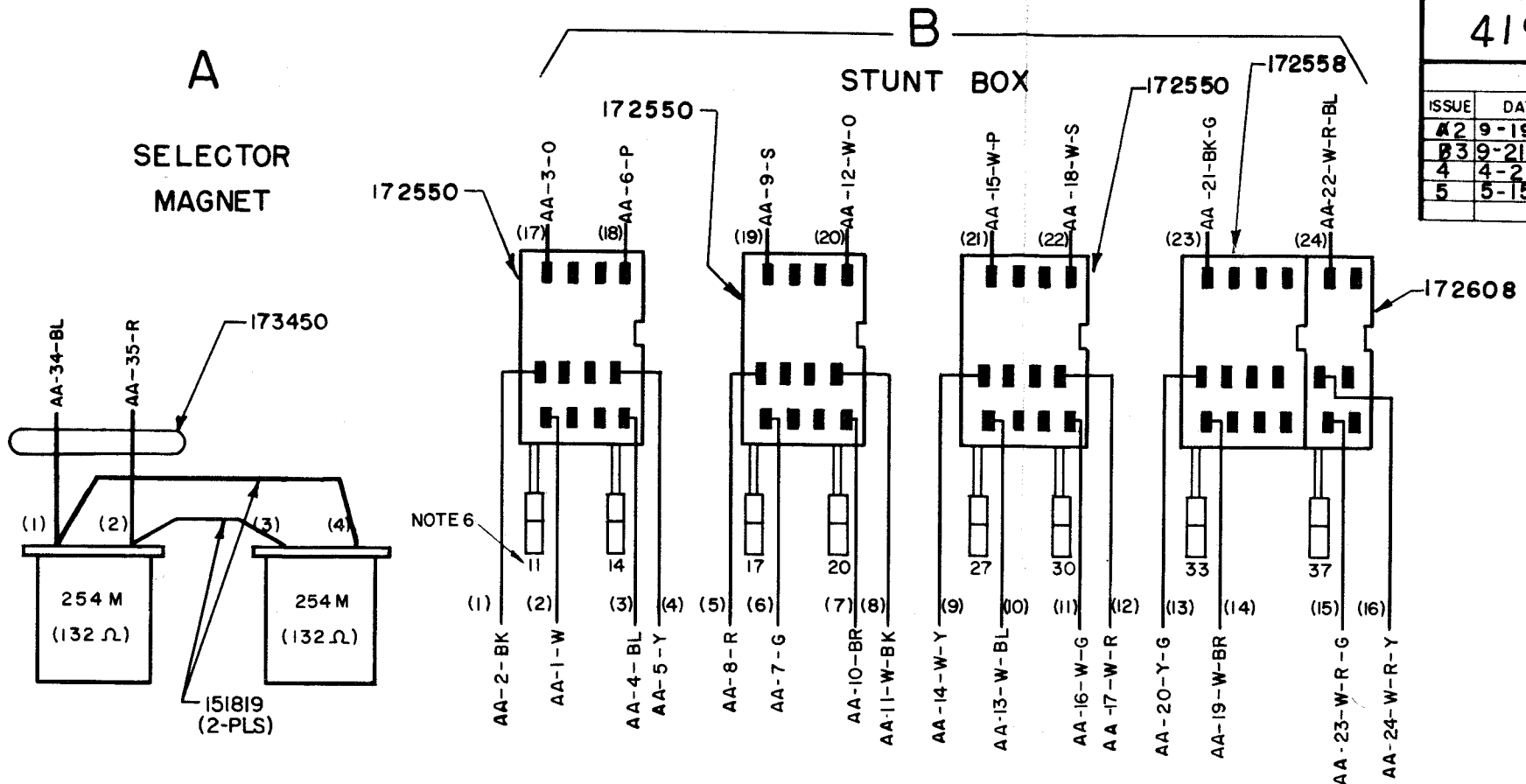
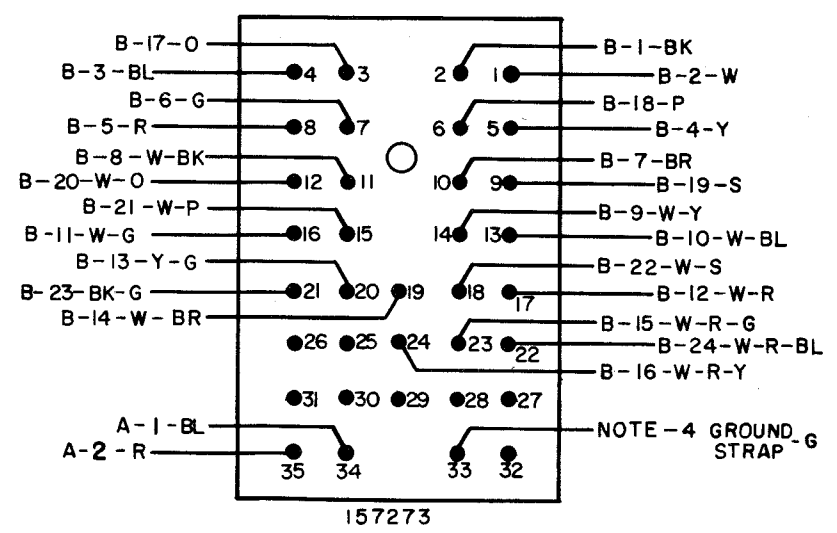


NO.	NOTES												
1.	<p>WIRING LEGEND</p> <p>— DISTANT TERMINATING AREA —•— DISTANT TERMINAL DESIGNATION. — — WIRE COLOR CODE</p>												
2.	<p>WIRE COLOR CODE :</p> <table border="0"> <tr> <td>W - WHITE</td> <td>R - RED</td> <td>BL - BLUE</td> </tr> <tr> <td>BK - BLACK</td> <td>S - SLATE</td> <td>G - GREEN</td> </tr> <tr> <td>O - ORANGE</td> <td>BR - BROWN</td> <td>Y - YELLOW</td> </tr> <tr> <td>P - PURPLE</td> <td></td> <td></td> </tr> </table>	W - WHITE	R - RED	BL - BLUE	BK - BLACK	S - SLATE	G - GREEN	O - ORANGE	BR - BROWN	Y - YELLOW	P - PURPLE		
W - WHITE	R - RED	BL - BLUE											
BK - BLACK	S - SLATE	G - GREEN											
O - ORANGE	BR - BROWN	Y - YELLOW											
P - PURPLE													
3.	CONNECTOR VIEWED FROM SOLDERED TERMINAL END.												
4.	GROUND SHIELDING OF SELECTOR CABLE.												
5.	<p>NORMALLY OPEN CONTACT NORMALLY CLOSED CONTACT</p>												
6.	INDICATE SLOT LOCATIONS												



AA
TYPING UNIT
CONNECTOR



4196 WD

ISSUE	DATE	AUTH. NO.
2	9-19-61	70984
3	9-21-61	70997
4	4-2-65	86811
5	5-15-65	86811-2

ACTUAL WIRING DIAGRAM FOR MODEL 28 TYPING UNIT LP 77, 94 STUNT BOX **AGM**

APPROVALS

D AND R <i>O.A.C.</i>	E OF M
--------------------------	--------

E-NUMBER
PROD. NO. 4196 WD

DATE: 7-7-60
P.D. FILE NO. 18-A65/2.219A

DRAWN. P.K.	CHKD. <i>(Signature)</i>
ENGD. E.F.D.	APPD. <i>(Signature)</i>

TELETYPE CORPORATION

4196 WD