

4271 WD

ISSUE	DATE	AUTH. NO.
2	4-10-65	86460

NOTE

1. **WIRING LEGEND:**

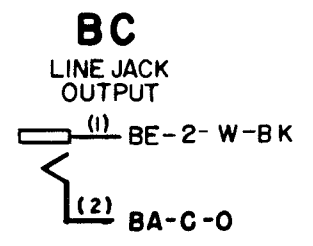
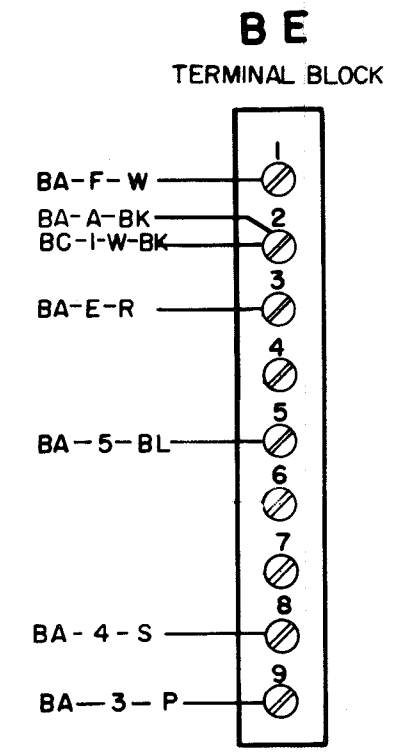
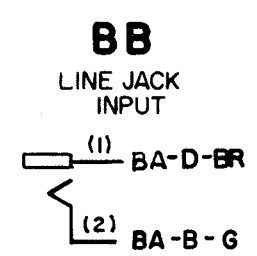
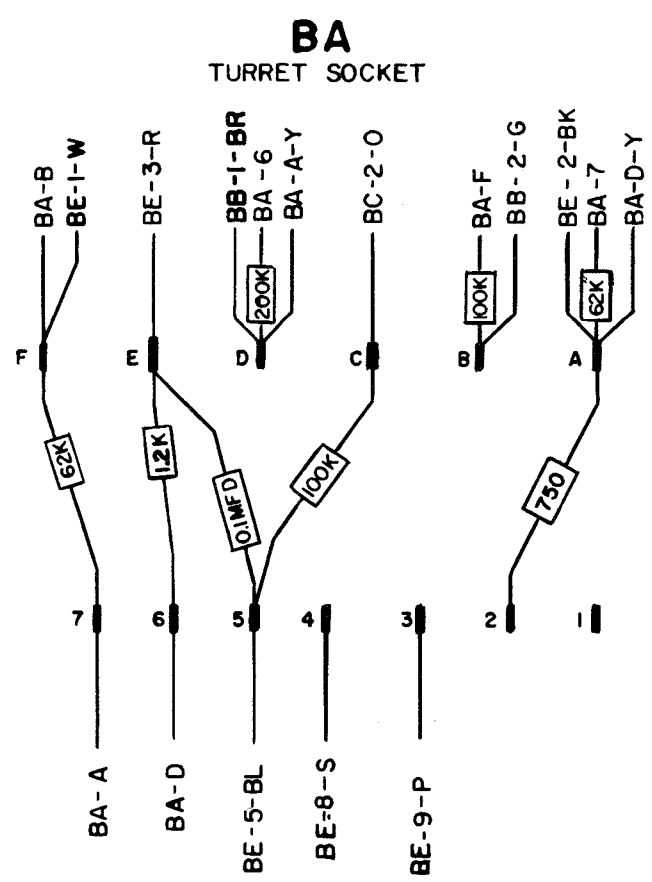
DISTANT TERMINATING AREA
 DISTANT TERMINAL DESIGNATION
 WIRE COLOR CODE
 AA-2-W

2. **COLOR CODE:**

BK - BLACK	W-BK WHITE-BLACK
BR - BROWN	W-BR WHITE-BROWN
R - RED	W-R WHITE-RED
O - ORANGE	W-O WHITE-ORANGE
Y - YELLOW	W-Y WHITE-YELLOW
G - GREEN	W-G WHITE-GREEN
BL - BLUE	W-BL WHITE-BLUE
S - SLATE	W-S WHITE-SLATE
P - PURPLE	W-P WHITE-PURPLE
W - WHITE	

3. ALL CONNECTORS VIEWED FROM SOLDER END.

4. TERMINAL DESIGNATIONS ENCLOSED IN PARENTHESES ARE NOT MARKED ON COMPONENTS.



ACTUAL
WIRING DIAGRAM
ELECTRONIC KEYS
173779

APPROVALS

D AND R <i>O.A.</i>	E OF M
------------------------	--------

E-NUMBER
PROD. NO. 4271WD
DATE: 6-4-60
P.D. FILE NO. 18-A65/2.219A
DRAWN. N.K.G. CHKD. *BR*
ENGD. D.C.L. APPD. *ML*

TELETYPE CORPORATION
4271 WD