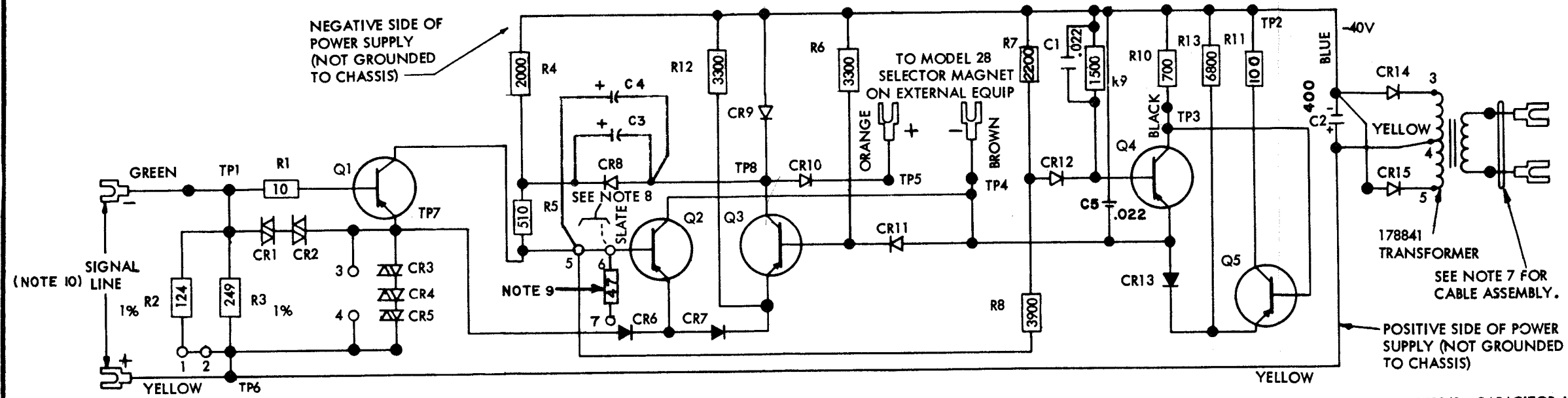


4445WD

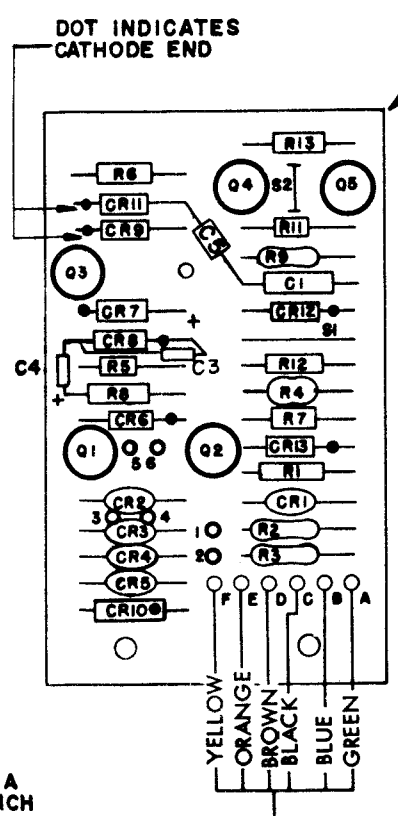
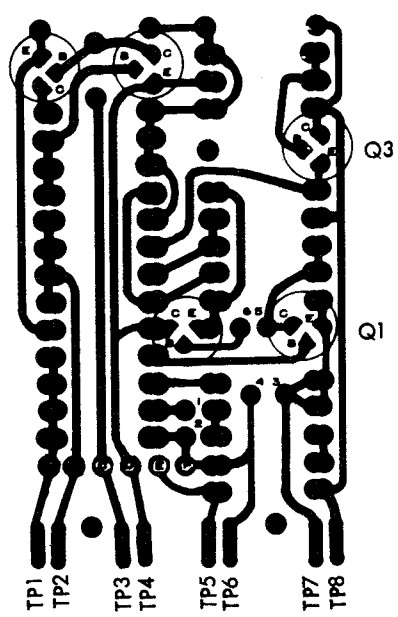
ISSUE	DATE	AUTH. NO.
#2	10-8-64	71841
#3	11-20-64	71678
#4	2-7-62	72380
#5	10-8-62	74788
#6	10-19-62	74878
#7	3-4-63	76176
#8	2-27-64	81002
9	9-9-64	83349
10	10-9-64	84164
11	3-9-65	86451



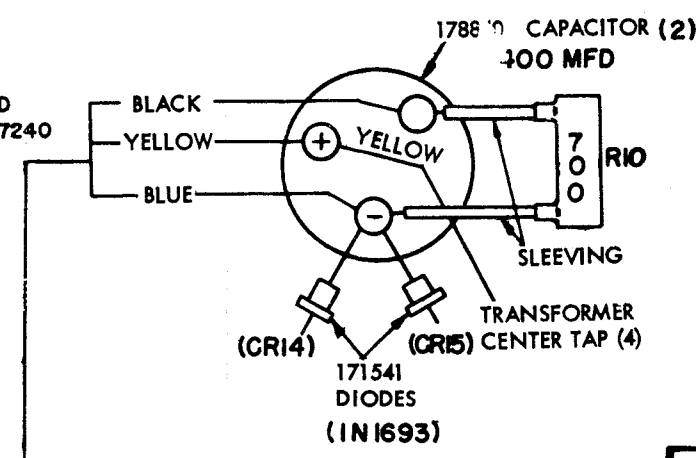
NOTES

- Units wired for 117V 50/60cycle operation only.
- Selector *COILS* in parallel for all conditions of operation.
- Strapping for input options:
 .020 Amp. neutral operation:
 1-2 Open 3-4 Open
 .060 Amp. neutral operation:
 1-2 Strapped 3-4 Open
 .020 to .030 Amp. polar operation:
 1-2 Open 3-4 Strapped
- For normal operation terminals 5 & 6 are strapped. To "blind" the selector (steady marking condition), CONNECT 5 & 6 TO POSITIVE SIDE of power supply through A 47 OHM RESISTOR AND AUXILIARY CONTROL CONTACTS. SEE NOTE 9.
- Factory Strapping: 1-2, 5-6.
- All resistors 5% tolerance unless otherwise indicated.
- Associated Cables:**

Used On	Used On
178886	177010
178887	309494
178602	178601
178508	178507
- When installing 178602 Cable Assembly ADD SLATE LEAD TO TERMINAL 6 AS SHOWN.
- 198528 MOD. KIT TO ADD BLINDING RESISTOR, USED ON 198360 SMD. 309494 SMD.



II. SPECIFICATIONS APPLICABLE ARE 60,239S AND 50,042S.



SEE NOTE 7 FOR CABLE ASSEMBLY

10. 307240 DRIVER USES A 307244 CARD IN WHICH R2 AND R3 RESISTORS (124Ω AND 249Ω RESPECTIVELY) ARE REPLACED BY A 820Ω RESISTOR. THIS PROVIDES FOR A -6VOLT SPACE AND 0VOLT MARK INPUT.
 309494 DRIVER TO BE WIRED FOR POLAR OPERATION (OPTION NOTE 3)

ACTUAL AND SCHEMATIC WIRING DIAGRAM FOR SELECTOR MAGNET DRIVER ASSEMBLY
 177010, 178507, 178601
 198360, 307240, 309494

APPROVALS	
D AND R	E OF M

E-NUMBER
 PROD. NO. 4445WD
 DATE: 5-29-61
 P.D. FILE NO. 26-158AAA
 DRAWN. CHKD. J.W.
 ENGD. F.J.M. APPD. J.W.

TELETYPE CORPORATION
 4445WD