

NOTES

COLOR CODE

BK BLACK	G GREEN
BR BROWN	BL BLUE
R RED	P PURPLE
O ORANGE	S SLATE
Y YELLOW	W WHITE

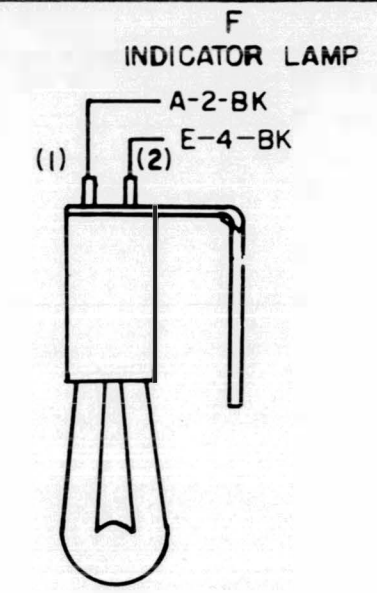
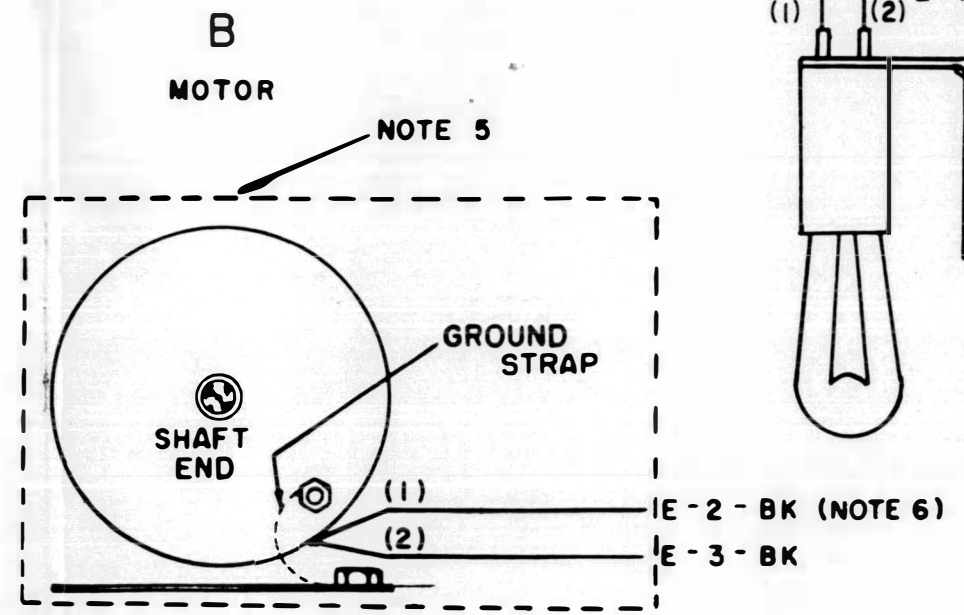
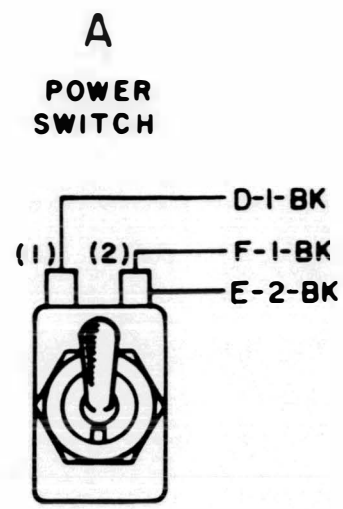
WIRING LEGEND



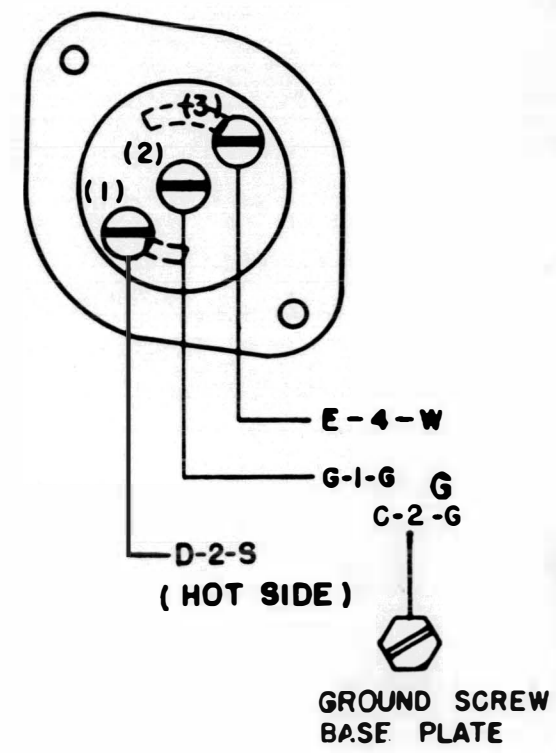
3. TERMINALS DESIGNATED IN PARENTHESES ARE NOT MARKED ON COMPONENTS
4. TERMINALS ON CONNECTOR SHOWN AS VIEWED FROM SOLDER END.
5. THE MOTOR IS NOT A PART OF THE LRSB201 UNIT.
6. THE YELLOW LEAD OF LMU 40 CONNECTS TO E2.
7. FOR TELETYPE PERSONNEL REFERENCE SPECIFICATION 60,281S

4705WD

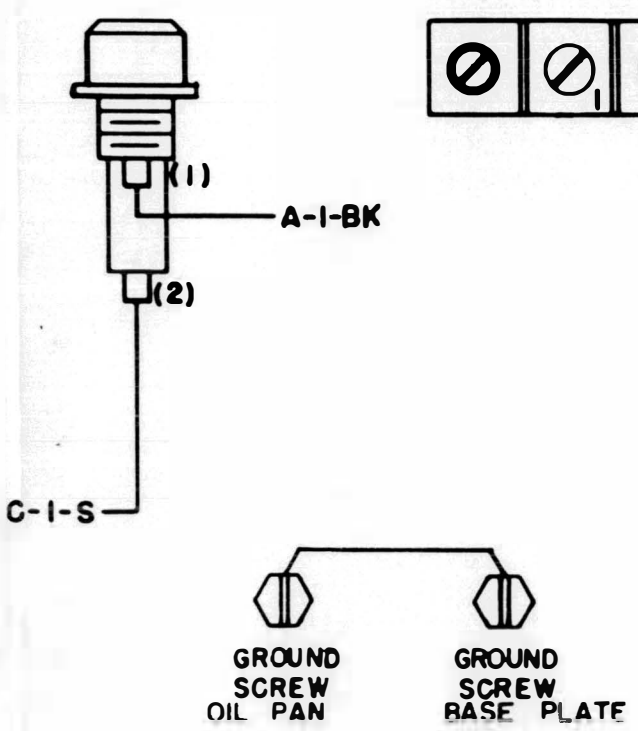
ISSUE	DATE	AUTH NO
A	8-10-62	74192
B	11-29-62	75216
C	12-30-63	78952
4	7-8-64	82984
5	5-19-65	86370



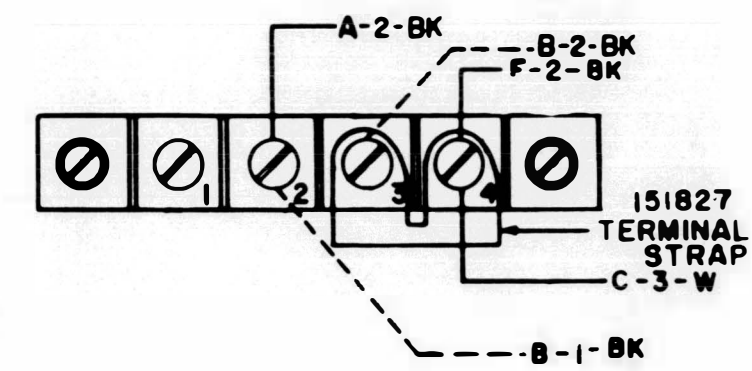
**C**  
BASE POWER PLUG



**D**  
POWER FUSE



**E**  
TERMINAL BLOCK



ACTUAL WIRING DIAGRAM  
MODEL 28  
RECEIVING SELECTOR  
OR SENDING  
DISTRIBUTOR BASE  
LRSB-201\*202  
APPROVALS

D AND R	E OF M
<i>[Signature]</i>	<i>[Signature]</i>

E. NUMBER  
PROD. NO. 4705 WD  
DATE: 5-12-61  
P.D. FILE NO I-A65.192A  
DRAWN R.R.W. CHRD  
ENGD K.B. APPD  
TELETYPE CORPORATION

ET 108-47  
TC25516-541