

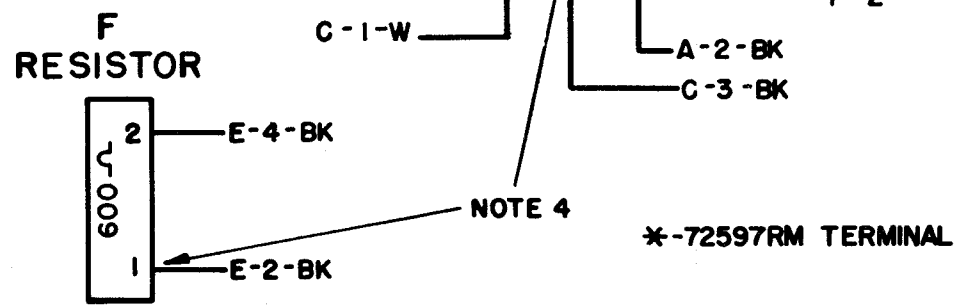
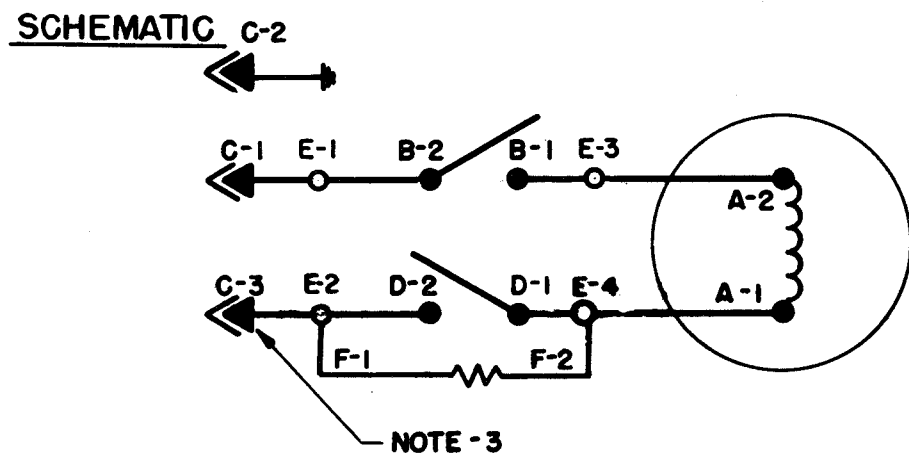
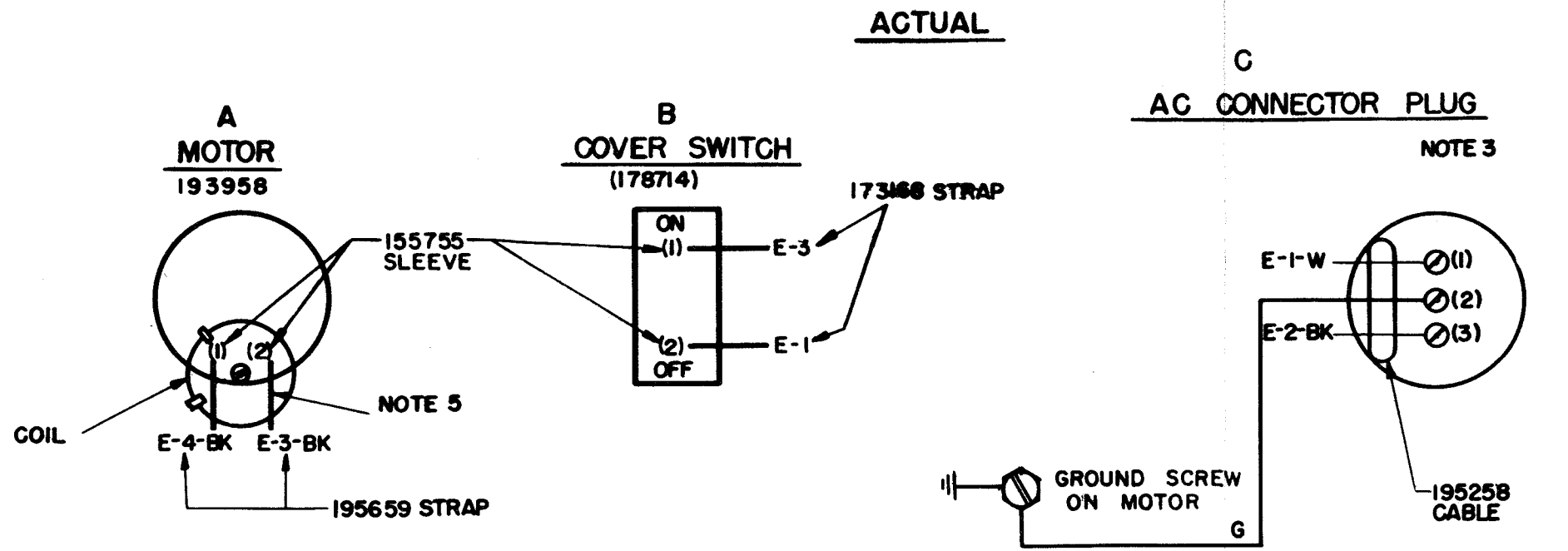
ISSUE	DATE	AUTH. NO.
A	11-8-62	75064
B	11-27-62	75207
C	1-10-63	75653
D	4-22-63	76601
E	12-23-63	77313

- NOTES**
- WIRING LEGEND**

DISTANT TERM. AREA
 DISTANT TERM. DESIG.

A-I-R
 WIRE COLOR CODE
 - COLOR CODE :**

R-RED W-WHITE BK-BLACK
 - MATING CONNECTOR 114466 IS FURNISHED WITH UNIT. WIRING BETWEEN A.C. POWER AND 114466 IS TO BE PROVIDED IN FIELD AT INSTALLATION TIME.
 - REMOVE AND TAPE RESISTOR LEADS WHEN LPW300 IS OPERATED WITH MODEL 32 AND 33 PAGE PRINTERS
 - MOTOR OPERATES ON 50-60 CYCLE 110 V. A.C.
 - THE NUMBERS ENCLOSED BY PARENTHESES ARE USED FOR REFERENCE AND ARE NOT SHOWN ON THE PART.



ACTUAL AND SCHEMATIC WIRING DIAGRAM OF LPW300

APPROVALS

D AND R E OF M

E-NUMBER

PROD. NO. 5830 WD

DATE: 5-22-62

P.D. FILE NO. 13-99AAA

DRAWN. E. R. CHKO.

ENGD. J.C.F. APPD.

TELETYPE CORPORATION