

7087WD

REVISIONS

ISSUE	DATE	AUTH. NO.
1	9-4-64	15987-R
2	2-11-65	86185
3	4-2-66	86688

NOTES

ASSOCIATED DIAGRAMS:

- 2900WD MOTOR UNITS - LMU3 - LMU21
- 4445WD SELECTOR MAGNET DRIVER-77010
- 6363WD PAPER WINDER - 195922
- 7137WD BASE ASSEMBLY - 304195
- 7154WD PRINTER LP124 WITH AJU STUNT BOX
- 7155WD KEYBOARD - LK52

PAPER WINDER 195922 ON BOTTOM SHELF, PAPER WINDERS 195921 ON OTHER SHELVES. 6363WD APPLIES TO BOTH.

ALL APPARATUS IS SHOWN IN UNOPERATED OR DE-ENERGIZED POSITION.

POLARITY OF SELECTOR MAGNET DRIVERS MUST BE MAINTAINED, AS SHOWN, FOR MARKING CONDITION.

TO USE SIGNAL LINE BREAK SWITCH:

- CONNECT SIGNAL LINE TO BL-47 INSTEAD OF BL-109.
- STRAP BL-109 TO BL-54.

CUSTOMER TO WIRE THESE CIRCUITS.

LISTINGS AT TERMINAL POINTS ARE IN THE FOLLOWING ORDER:

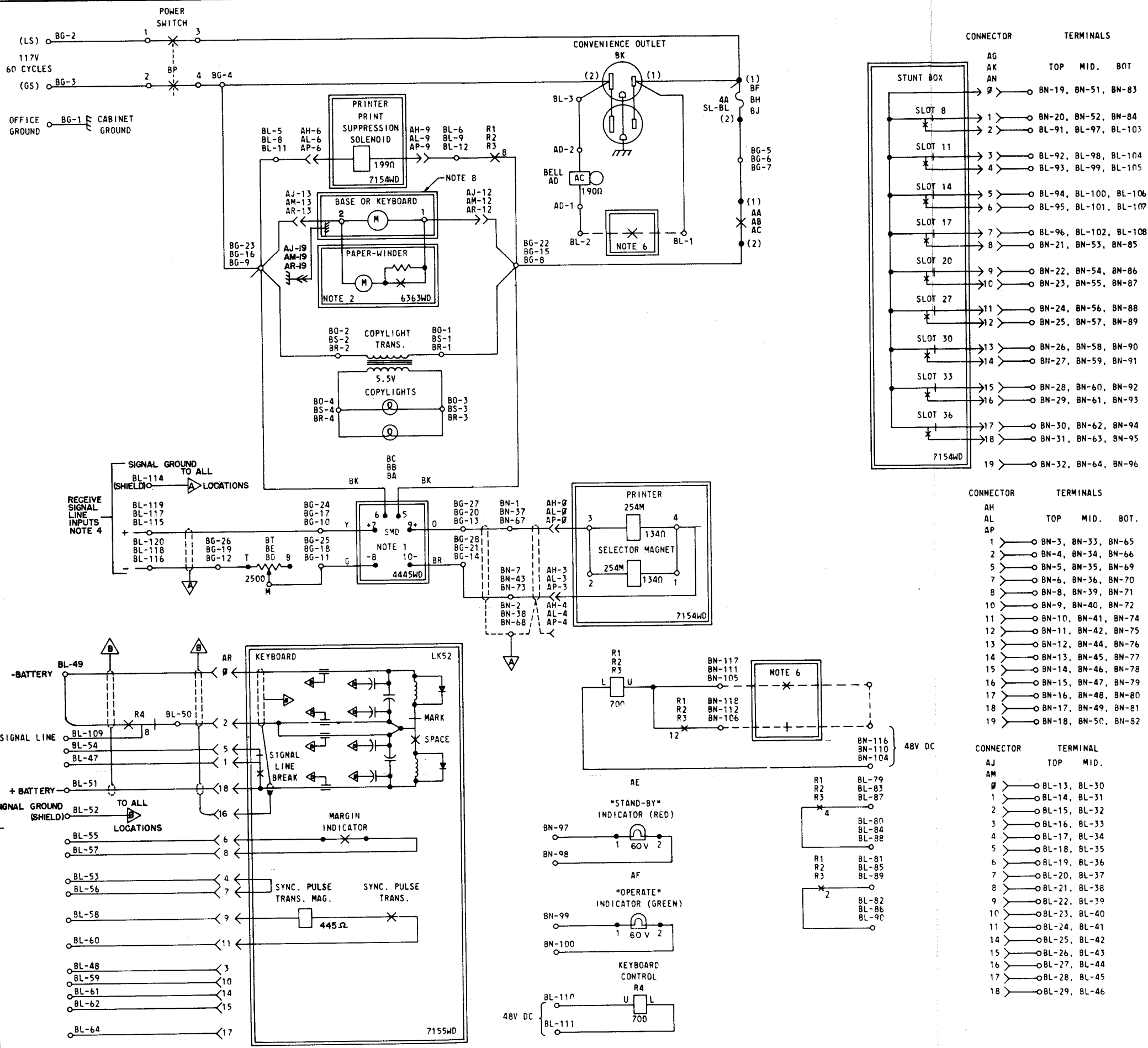
- TOP SHELF
- MIDDLE SHELF
- BOTTOM SHELF

BASE 7137WD OR KEYBOARD 7155WD.

ACTUAL WIRING DIAGRAM OF LBAC255 - 7149WD.

⚡ REPRESENTS MULTIPLE CONNECTOR.

SL-BL INDICATES SLOW BLOWING



SCHEMATIC
WIRING DIAGRAM
FOR
LBAC255
WITH
ASSOCIATED
EQUIPMENT

APPROVALS

D AND R	E OF M
---------	--------

[Signature]

E-NUMBER

PROD. NO. 7087WD

DATE 6-22-64

P.D. FILE NO. 42-A2/65AA

DRAWN F.C.S. CHKD.

ENGD. P.P.P. APPD. *[Signature]*

TELETYPE CORPORATION

7087WD