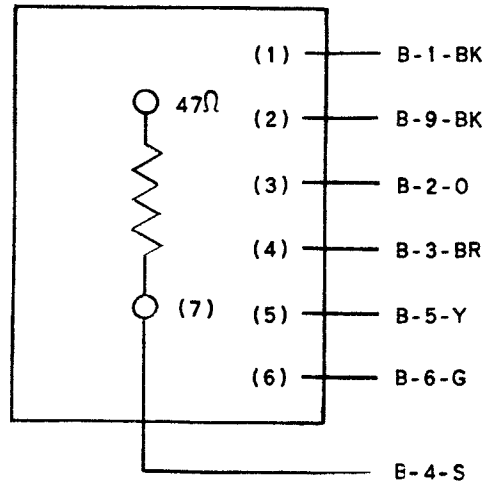


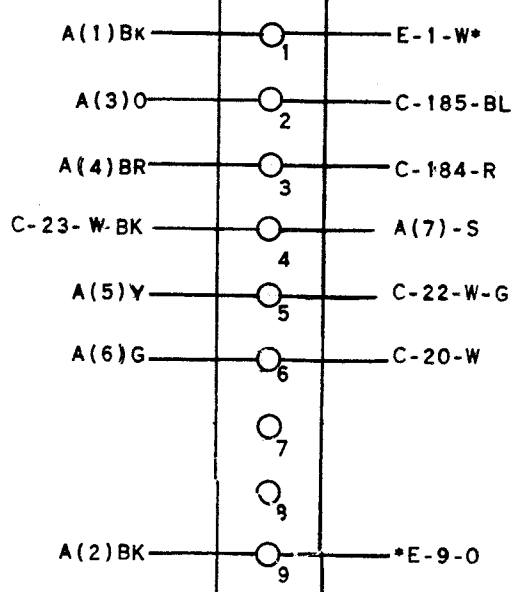
NO.	NOTES
1.	WIRING LEGEND:
2.	SEE 7469WD FOR SCHEMATIC WIRING DIAGRAM.
3.	TERMINAL DESIGNATIONS ENCLOSED IN PARENTHESES ARE FOR REFERENCE AND ARE NOT MARKED ON COMPONENTS.
4.	ASSOCIATED CABLES: 173857 CABLE ASSEMBLY 309422 CABLE ASSEMBLY 309423 CABLE ASSEMBLY
5.	SELECTOR MAGNET DRIVERS TO BE WIRED FOR POLAR OPTIONS (REFER TO 4445WD).
6.	*ASTERISK INDICATES 18 GA.
7.	SELECTOR MAGNET DRIVERS ARE EQUIPPED WITH MOD. KIT 195528 TO ADD BLINDING RESISTOR (47Ω) (REFER TO SPECIFICATION 60,610S)

SELECTOR MAGNET DRIVER

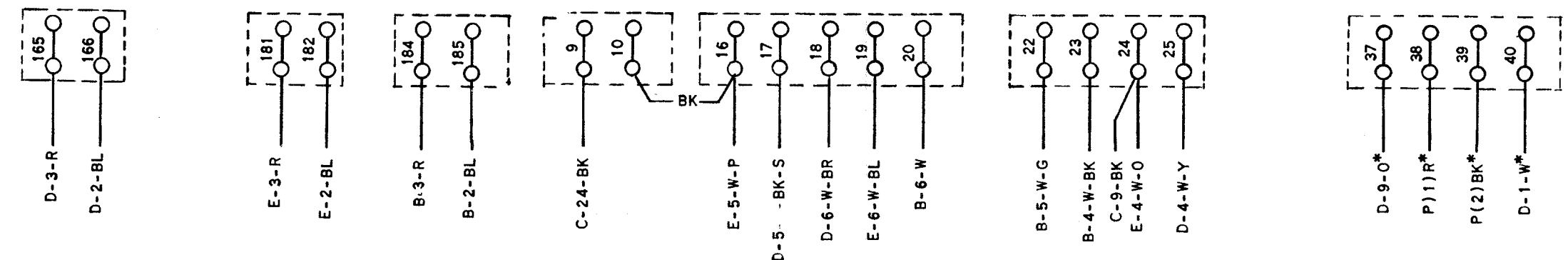
NOTE 5 & 7



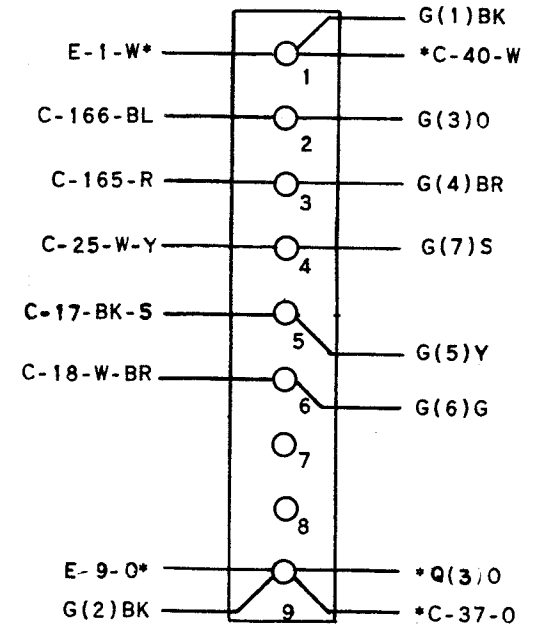
B
TERMINAL BOARD



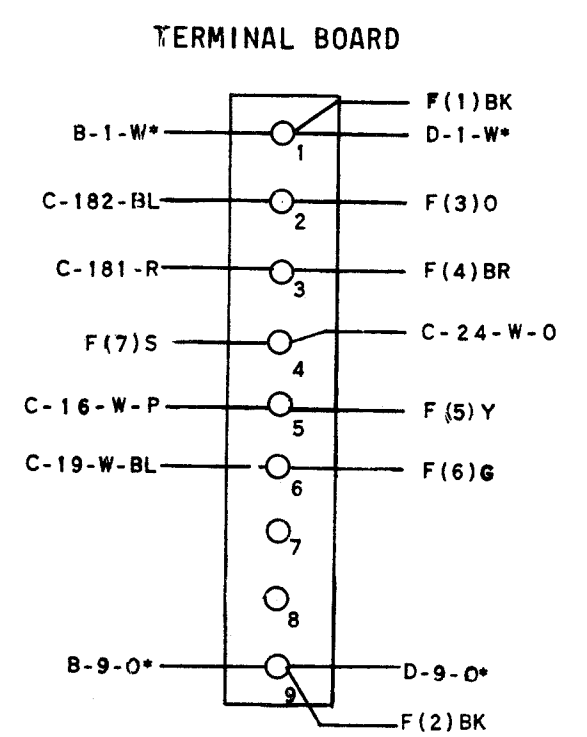
CABINET TERMINAL BLOCK



D
TERMINAL BOARD

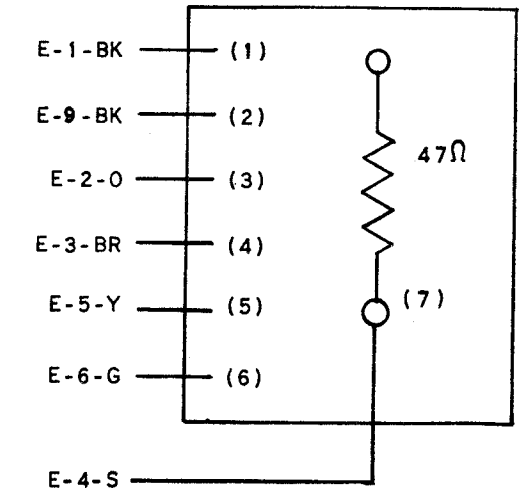


E
TERMINAL BOARD



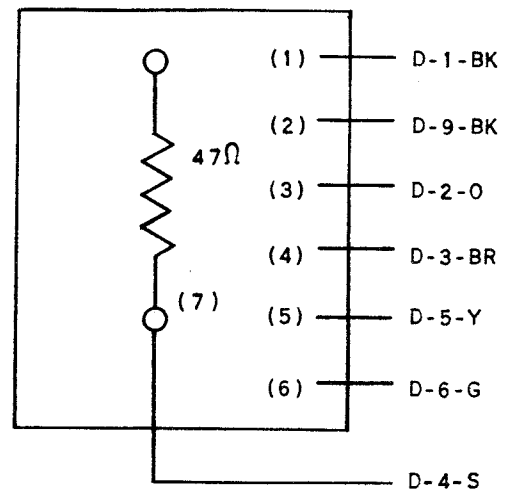
F
SELECTOR MAGNET DRIVER

NOTE 5 & 7

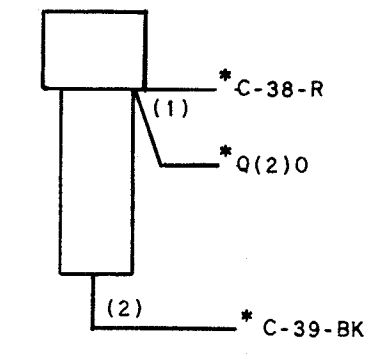


G
SELECTOR MAGNET DRIVER

NOTE 5 & 7

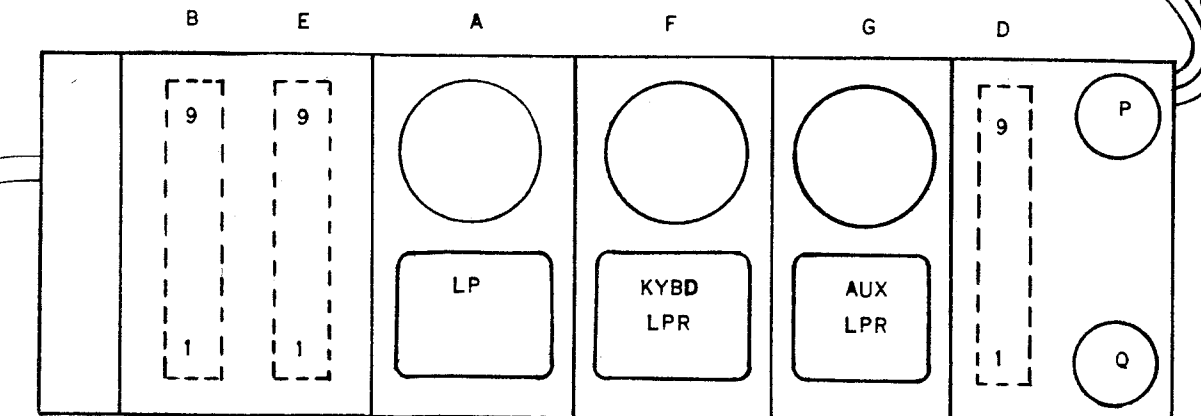
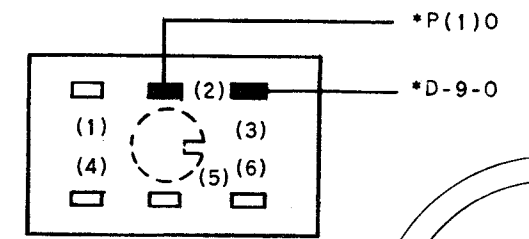


P
FUSE HOLDER



(6.25 AMP.)

Q
POWER SWITCH



TOP VIEW

7468 WD		
REVISIONS		
ISSUE	DATE	AUTH. NO.
1	11-16-64	15864-R
2	4-20-65	86583

ACTUAL WIRING DIAGRAM ELECTRICAL SERVICE ASSEMBLY 304203 (ASR SET)

APPROVALS	
R AND D	E OF M
<i>O.A.</i>	

E-NUMBER	
PROD. NO.	7468WD
DATE:	9/17/64
R. & D. FILE NO.	42-42/65AA
DRAWN DDG	CHKD. <i>TD</i>
ENGD. EFG	APPD. <i>O.A.</i>

TELETYPE CORPORATION
7468WD