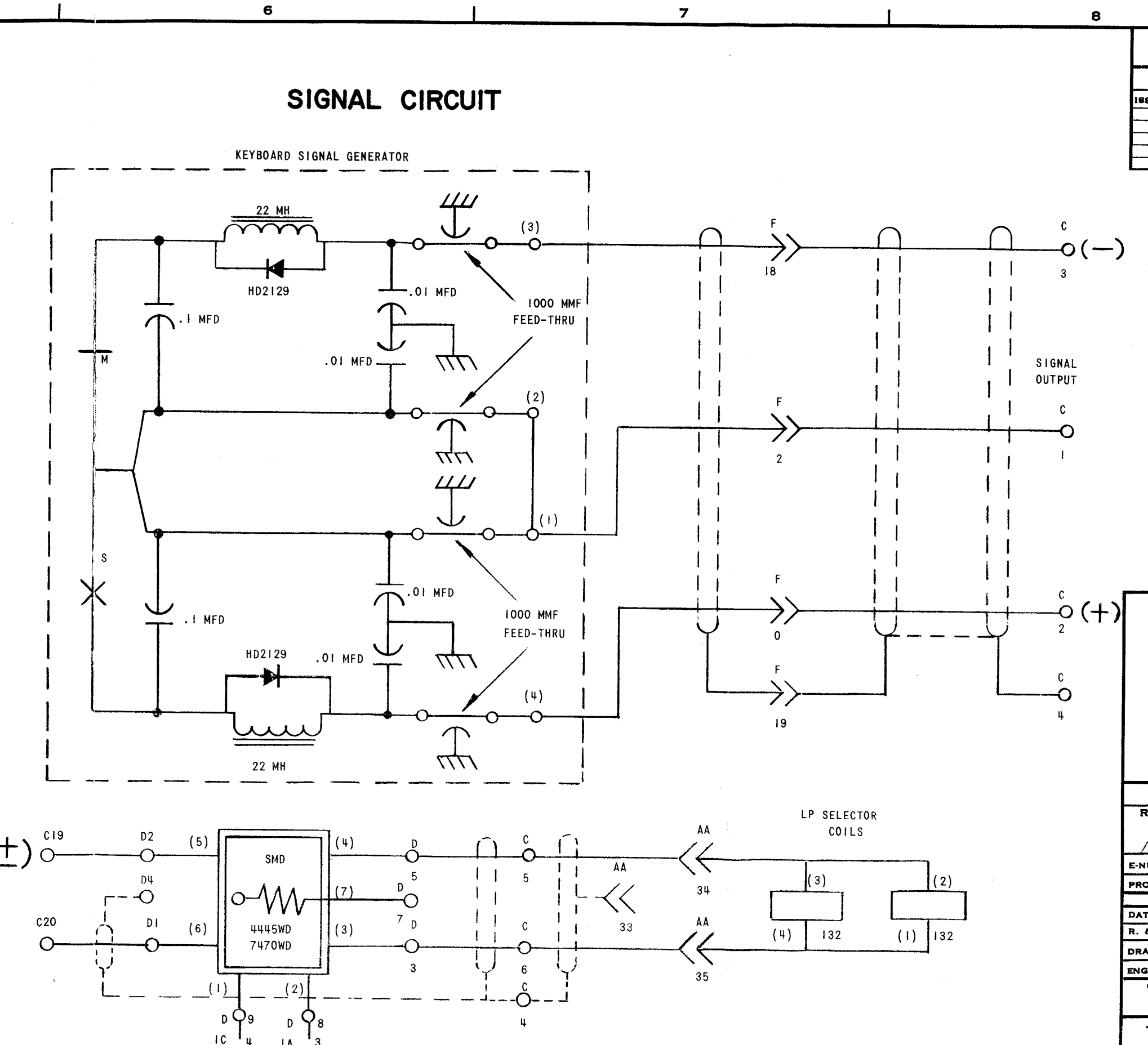
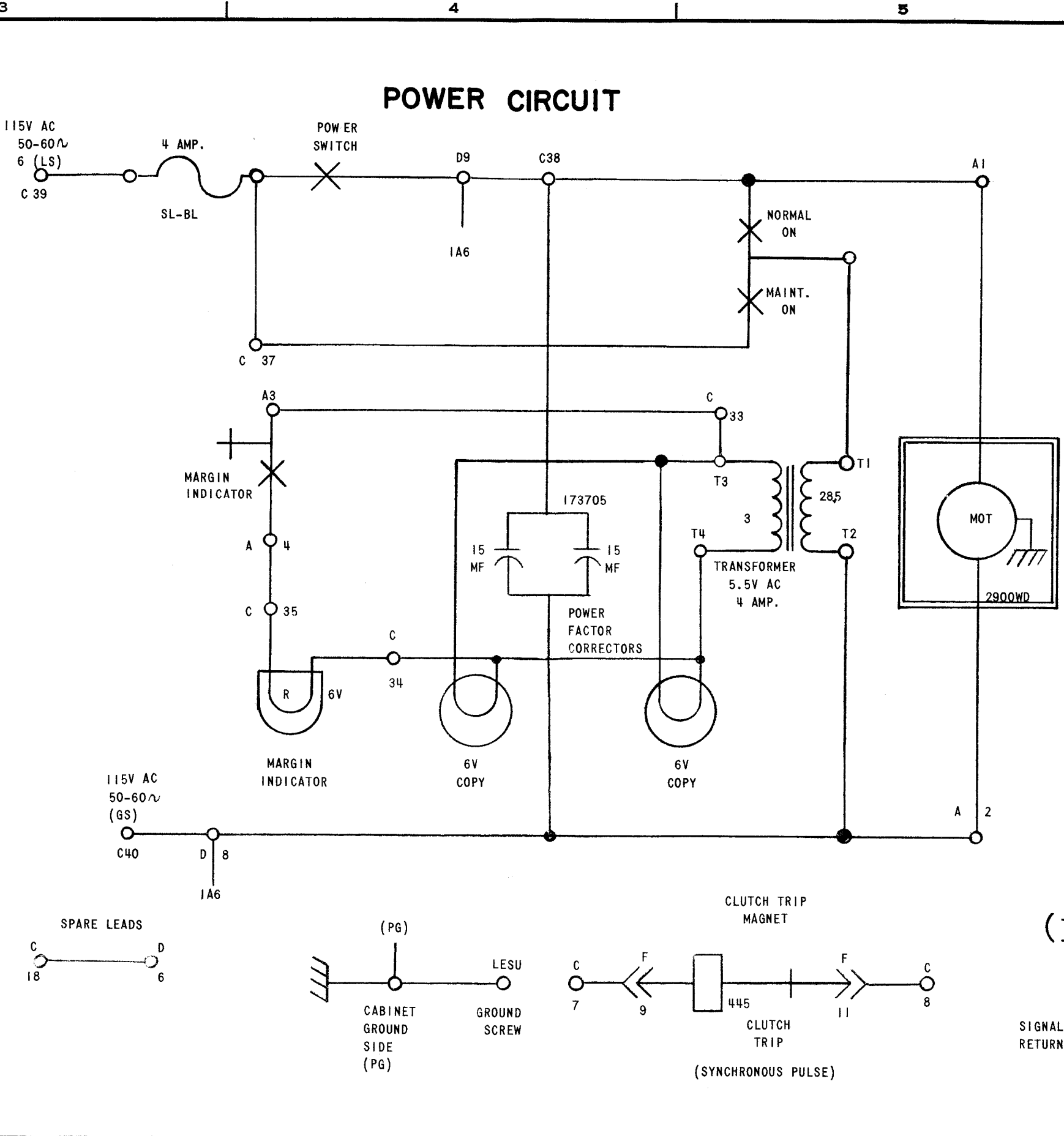
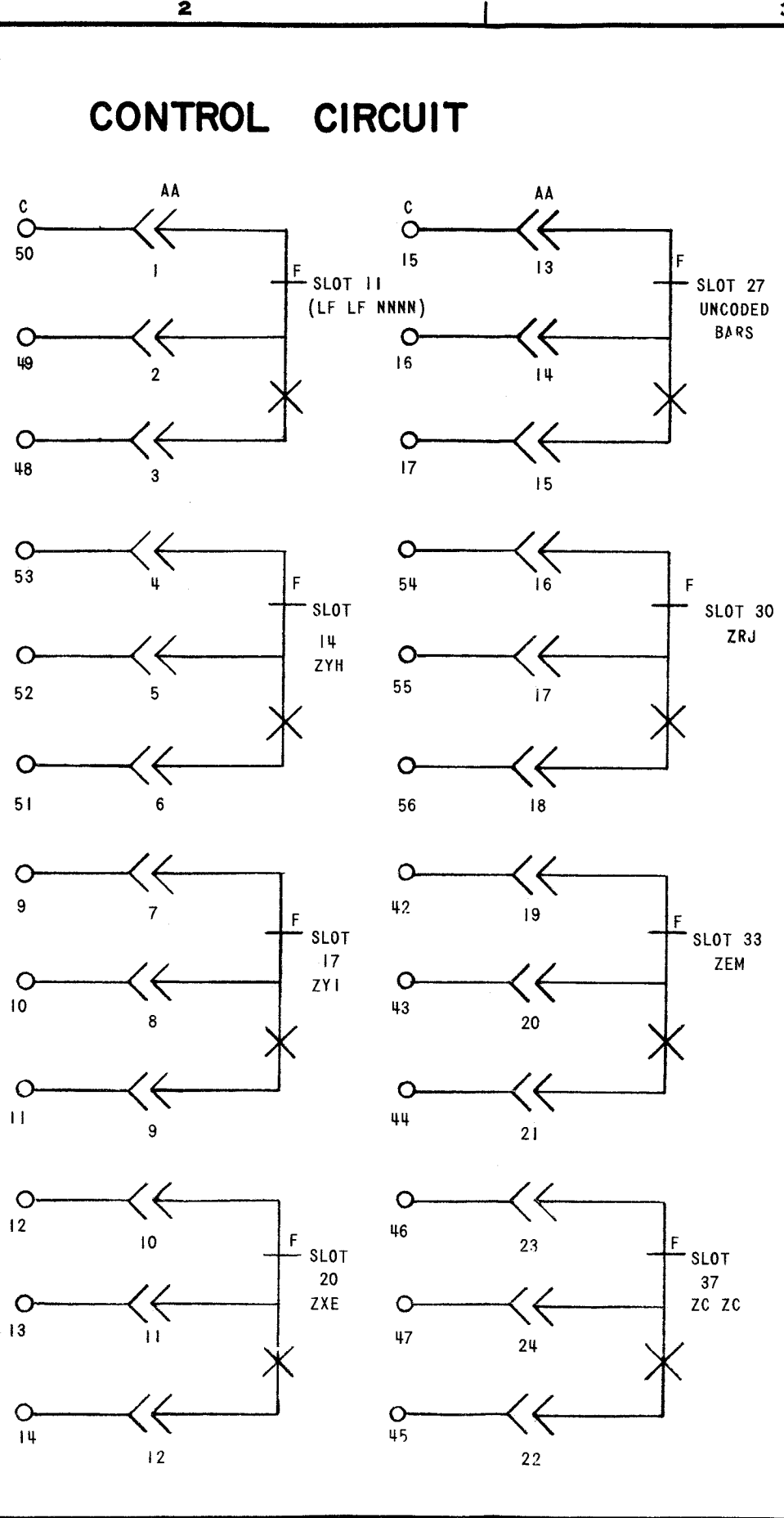


N.O.	NOTES
1.	ASSOCIATED ACTUAL WIRING DIAGRAMS: 4445WD SELECTOR MAGNET DRIVER 7470WD ELECTRICAL SERVICE ASSEMBLY 4262WD KEYBOARD LK 2900WD MOTOR LMU 4268WD CABINET LAC 7481WD TYPING UNIT
2.	RESISTANCE VALUES IN OHMS (Ω) INDUCTANCE VALUES IN MICROHENRIES MH CAPACITANCE VALUES IN MICROFARADS MFD
3.	SL-BL SLOW BLOWING FUSE.
4.	INDICATES FEMALE AND INDICATES MALE
5.	LEGEND: A KEYBOARD TERMINAL C CABINET TERMINAL D SMD TERMINAL T TRANSFORMER TERMINAL F KEYBOARD CONNECTOR AA PRINTER CONNECTOR
6.	USE SYNCHRONOUS MOTOR ON REGULATED 60 (+1%) AC POWER ONLY, GOVERNED MOTOR AND OTHER POWER CIRCUITS OPERABLE ON 50-60 UNREGULATED AC.
7.	ALL APPARATUS SHOWN IN UNOPERATED OR DE-ENERGIZED POSITION.
8.	POLARITY AS INDICATED MUST BE OBSERVED FOR PROPER R.F. FILTER OPERATION.



7471 WD		
REVISIONS		
ISSUE	DATE	AUTH. NO.
1	4-2-65	16855-R

APPROVALS	
R AND D	E OF M
<i>[Signature]</i>	<i>[Signature]</i>
ENUNBER	
PROD. NO. 7471WD	
DATE:	
R. & D. FILE NO. 42-A2-65A	
DRAWN DDG	CHKD. <i>[Signature]</i>
ENGD. FED	APPD. <i>[Signature]</i>
TELETYPE CORPORATION	
7471 WD	