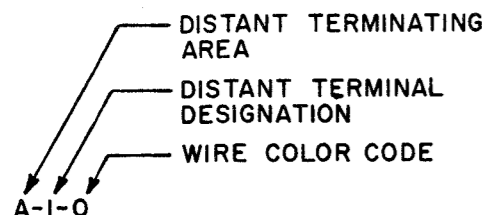
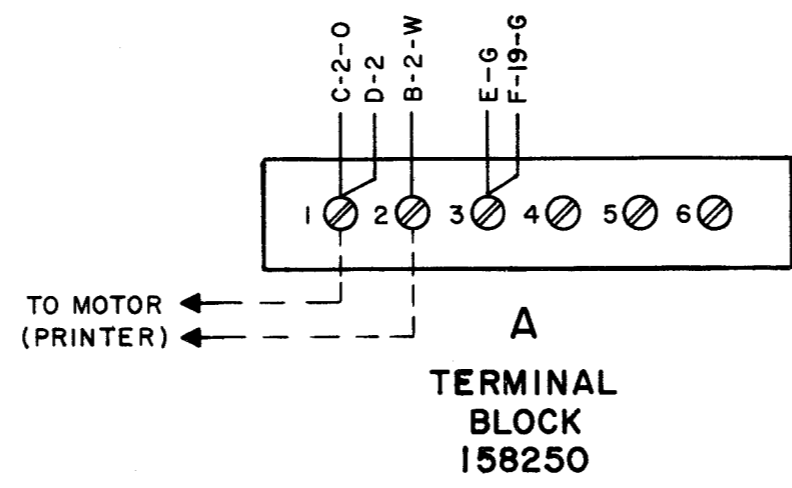
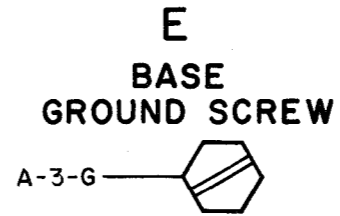
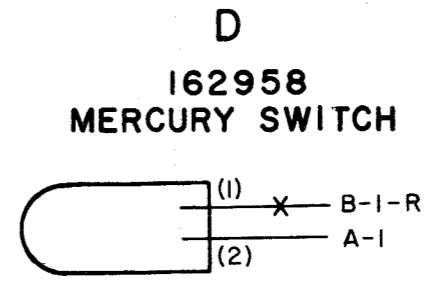
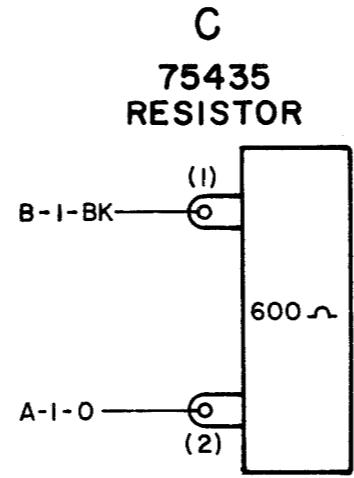
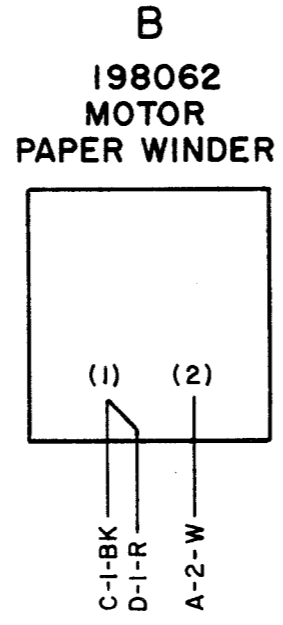
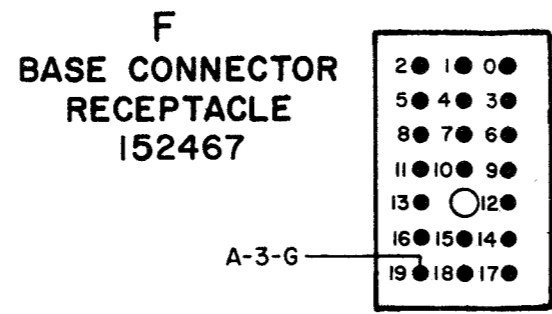


NO.	NOTES
1.	WIRING LEGEND:  DISTANT TERMINATING AREA DISTANT TERMINAL DESIGNATION WIRE COLOR CODE A-1-0
2.	COLOR CODE: BK - BLACK O - ORANGE W - WHITE G - GREEN R - RED
3.	NUMBERS ENCLOSED IN PARENTHESES ARE FOR REFERENCE ONLY AND ARE NOT MARKED ON COMPONENT.
4.	-X- DENOTES SPLICE AND TAPE.
5.	PAPER WINDER MOTOR OPERATES ON 115 V.A.C. ± 10% 50 OR 60 CYCLES.
6.	FOR TELETYPE PERSONNEL REFERENCE: SPECIFICATION NO. 60,995S
7.	FOR SCHEMATIC WIRING DIAGRAM REFER TO 7532WD.



7556 WD

REVISIONS		
ISSUE	DATE	AUTH. NO.
1	1-9-65	16358-R

ACTUAL WIRING DIAGRAM 310088 BASE ASSEMBLY	
APPROVALS	
D AND R O.A.	E OF M ✓
E-NUMBER	
PROD. NO. 7556 WD	
DATE: 11-12-64	
P.D. FILE NO. N-8-G	
DRAWN J.J.A.	CHKD. ✓
ENGD. D.C.L.	APPD. O.A.
TELETYPE CORPORATION	
7556 WD	