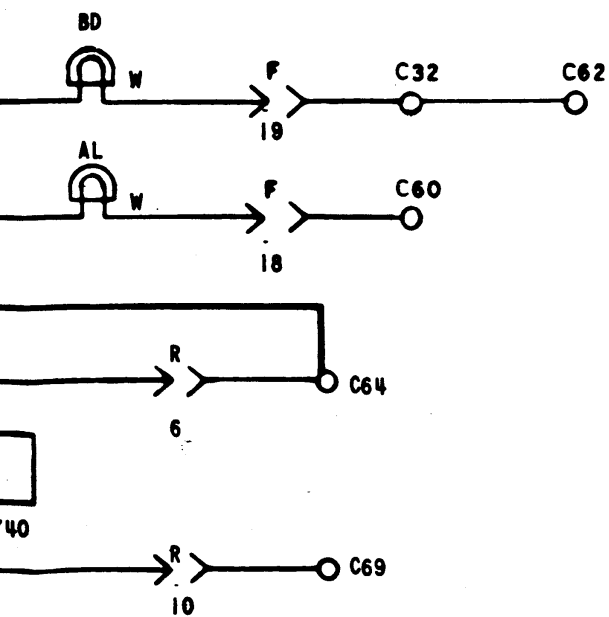
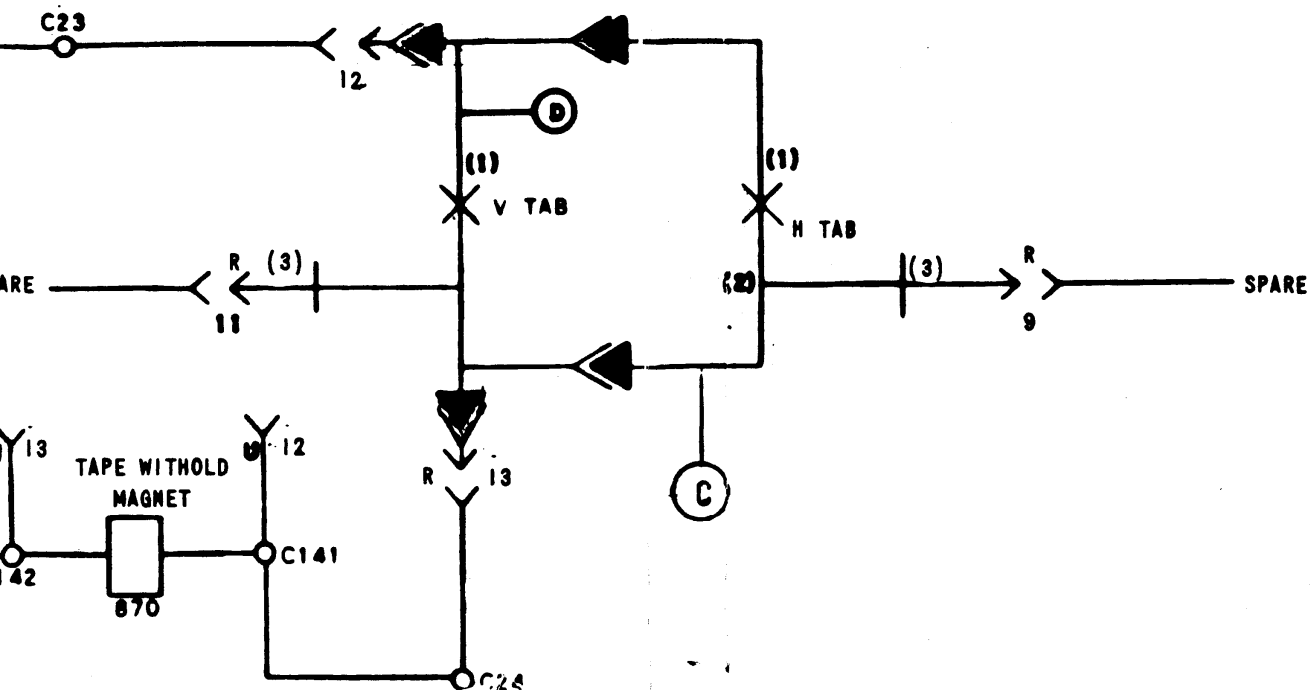


7159 WD

REVISIONS

NO.	DATE	AUTH. NO.
1	1-9-63	11160
2	1-11-63	11165
3	1-17-63	11189



SEE SHEET 3 FOR NOTES

28AC

SHEET 1 OF 3

SCHEMATIC WIRING
DIAGRAM FOR
MODEL 28
ASR SET (LESU112)

APPROVALS






PROD. NO. 7159WD

DATE: 1-9-63

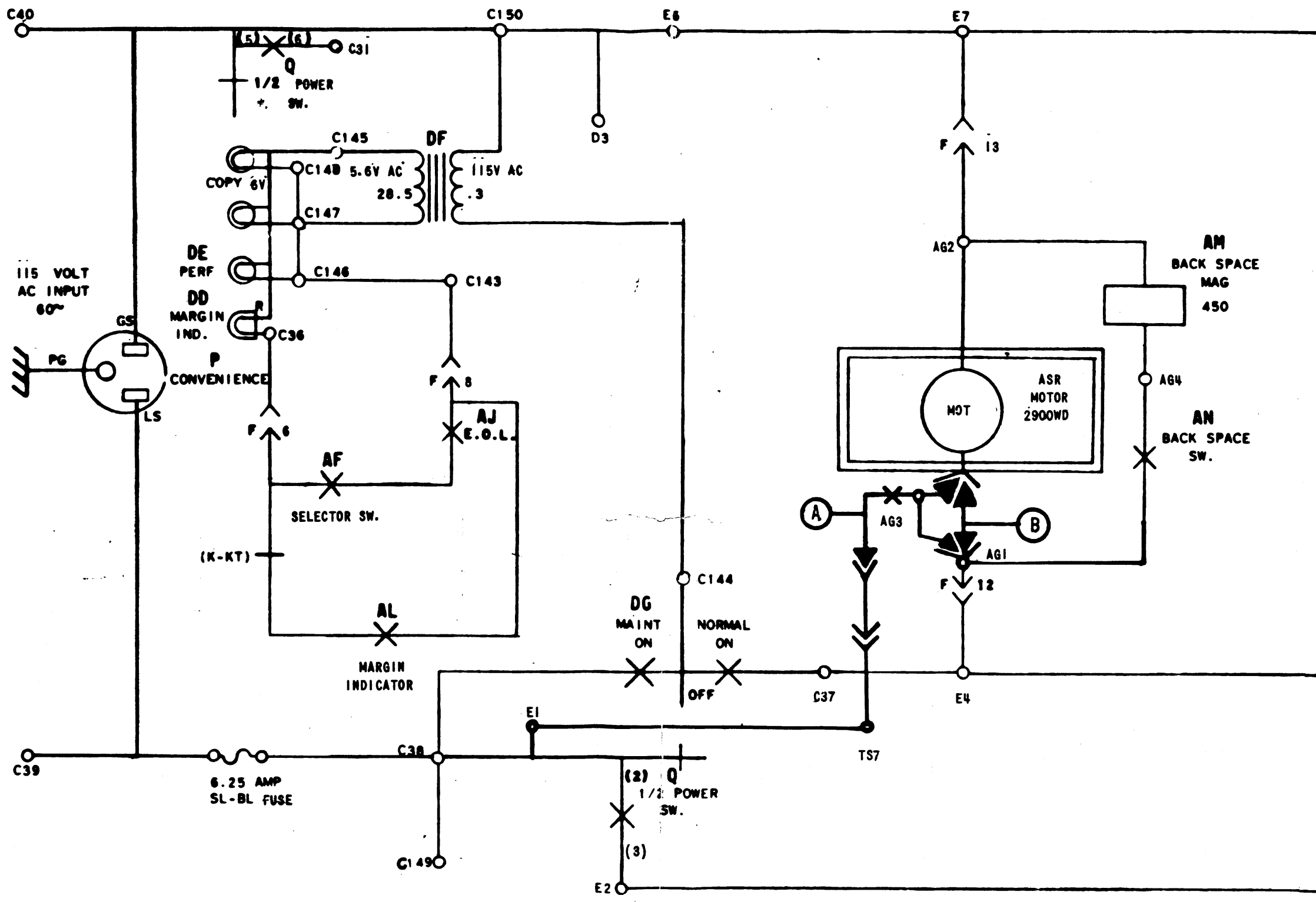
RD. FILE NO. 11A25AA

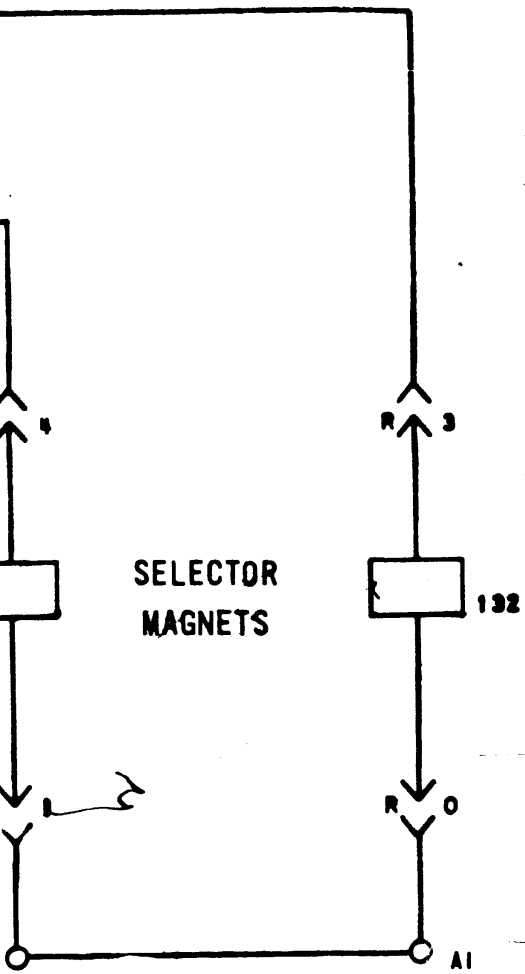
DRAWN PJS ENG 722

ENGR. FGH APPR 615

TELETYPE
CORPORATION

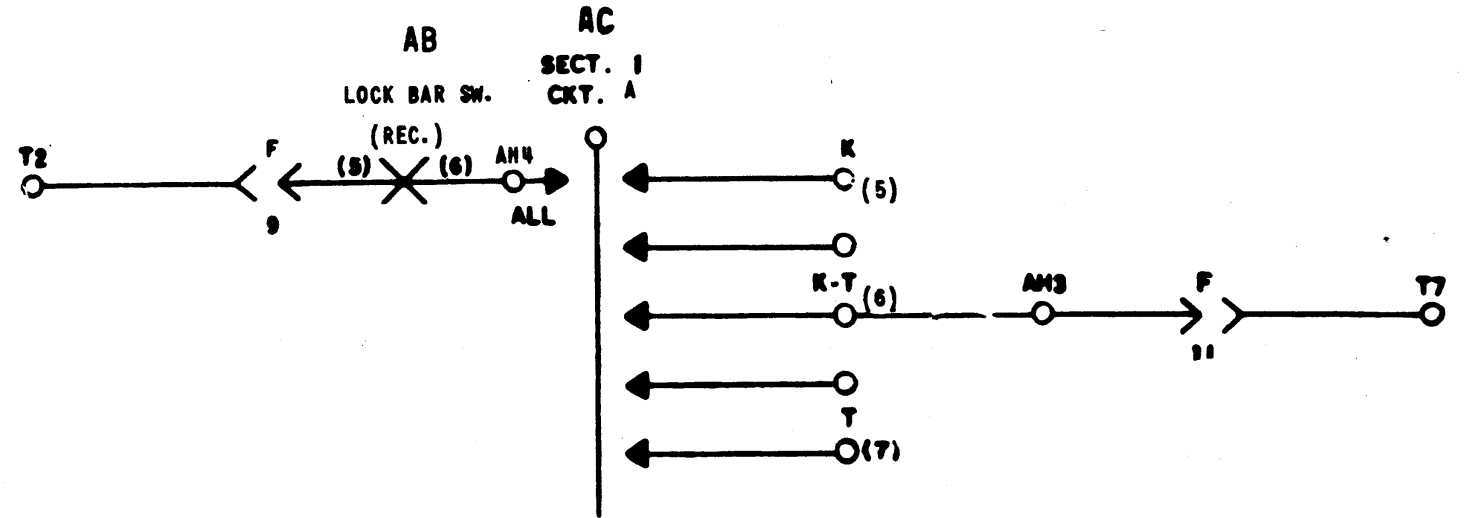
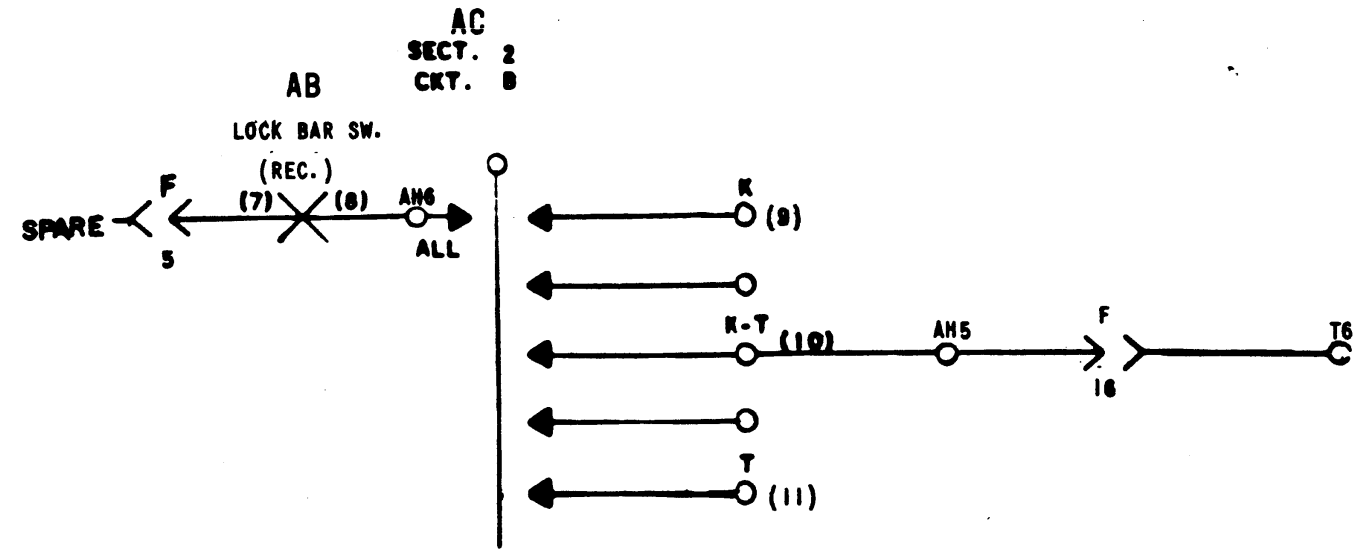
7159 WD





lan relay
SMD
Jumper A1 to A2
Jumper A1 to A4
A4 to A6
A2 to A3
A3 to A5

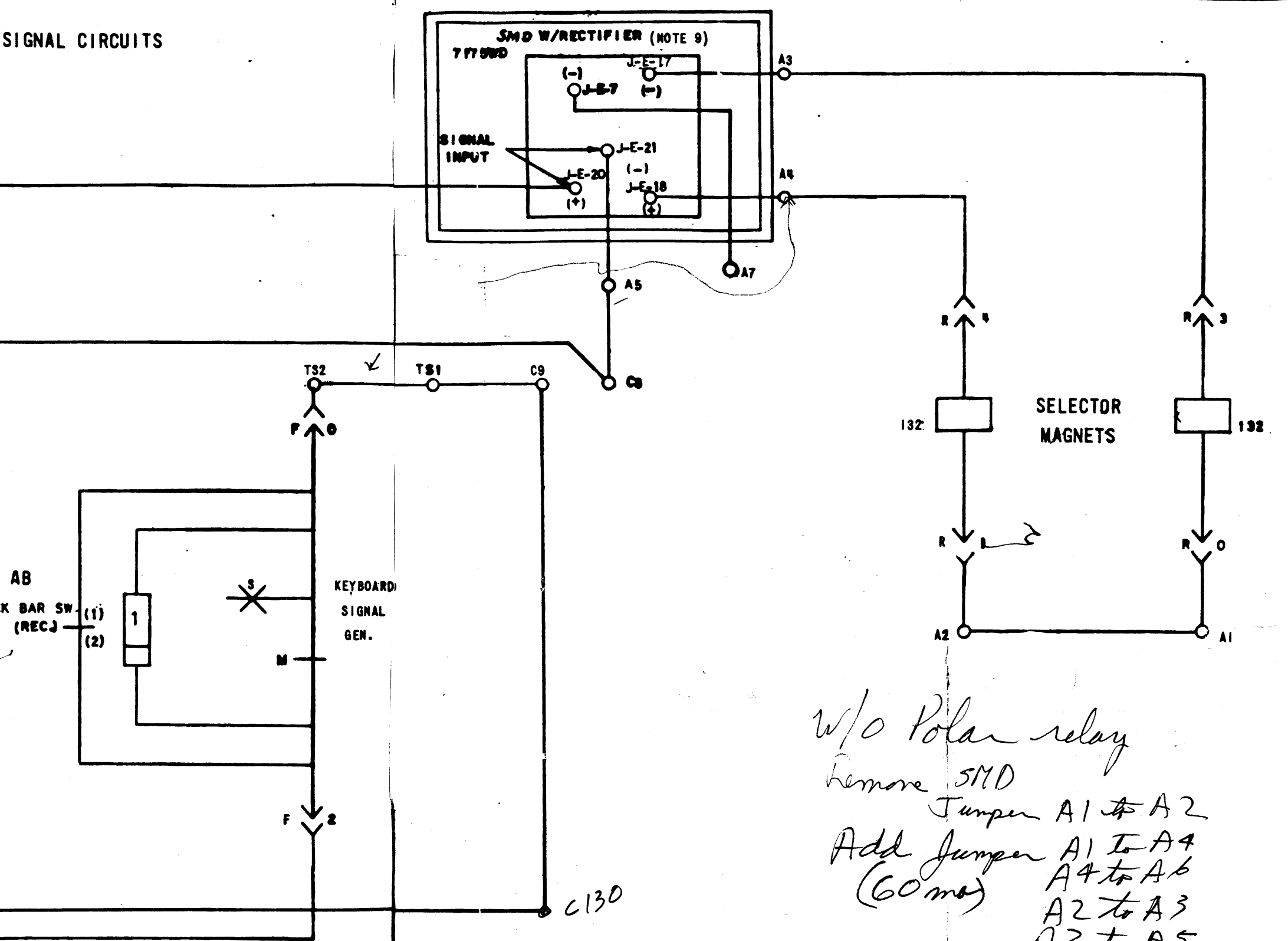
SPARE WIRING



SEE SHEET 3 FOR NOTES

PA

SIGNAL CIRCUITS



*w/o Polar relay
 Remove SMD
 Jumper A1 to A2
 Add Jumper A1 to A4
 A4 to A6
 (60 ma)
 A2 to A3
 A3 to A5*

