

★
T.O. 31R1-2GRA96-3-1

TECHNICAL MANUAL
CIRCUIT DIAGRAMS

COMMUNICATIONS CONTROL GROUP
AN/GRA-96
FACILITY APPLICATION AN/FRD-10(XN-2)

(ITT FEDERAL LABORATORIES)

AF19(628)-5698

Distribution - Authorized to U.S. Government agencies and their contractors only for administrative and operational use. Other requests for this document shall be referred to SA-ALC/TILT, Kelly AFB, TX 78241-5000.

Handling Destruction Notice - For unclassified, limited documents, destroy by any method that will prevent disclosure of contents or reconstruction of the document.

PUBLISHED UNDER AUTHORITY OF THE SECRETARY OF THE AIR FORCE

Reproduction for non-military use of the information or illustrations contained in this publication is not permitted without specific approval of the issuing service. The policy for use of Classified Publications is established for the Air Force in AFR 205-1.

INSERT LATEST CHANGED PAGES. DESTROY SUPERSEDED PAGES.

LIST OF EFFECTIVE PAGES

NOTE: The portion of the text affected by the changes is indicated by a vertical line in the outer margins of the page.

TOTAL NUMBER OF PAGES IN THIS PUBLICATION IS 14 CONSISTING OF THE FOLLOWING:

Page No.	Issue
Title	Original
A	Original
i thru ii	Original
1 thru 10	Original

* The asterisk indicates pages changed, added, or deleted by the current change.

ADDITIONAL COPIES OF THIS PUBLICATION MAY BE OBTAINED AS FOLLOWS:

USAF ACTIVITIES.—In accordance with T.O. 00-5-2.

USAF

TABLE OF CONTENTS

<u>Figure No.</u>		<u>Page</u>
	INTRODUCTION	ii
1	Operations Building Floor Plan	1
2	DF Servicer, Signal Distribution Diagram	2
3	DFDC, Signal Distribution Diagram	3
4	Alarm Monitor System, Distribution Diagram	4
5	AC Power Distribution Diagram	5
6	DC Power Distribution Diagram (Sheet 1 of 5)	6
6	DC Power Distribution Diagram (Sheet 2 of 5)	7
6	DC Power Distribution Diagram (Sheet 3 of 5)	8
6	DC Power Distribution Diagram (Sheet 4 of 5)	9
6	DC Power Distribution Diagram (Sheet 5 of 5)	10

INTRODUCTION

This circuit diagrams manual contains signal flow diagrams for Communication Control Group AN/GRA-96, facility application AN/FRD-10(XN-2).

All abbreviations used in this manual are in accordance with Military Standard MIL-STD-12B, except the following:

BDA	- Bit Distribution Amplifier	DF	- Direction Finding
BID	- Beam Identification	DFAC	- Direction Finding Access and Control
DASU	- Direct Access Switching Unit	DFDC	- Direction Finding Data Communications
		DFG	- Direction Finding Goniometer
		DFI	- Direction Finding Interferometer
		DFIC	- Direction Finding Inter-communication
		ETM/AC	- Elapsed Time Meter/AC Convenience
		GASU	- General Access Switching Unit

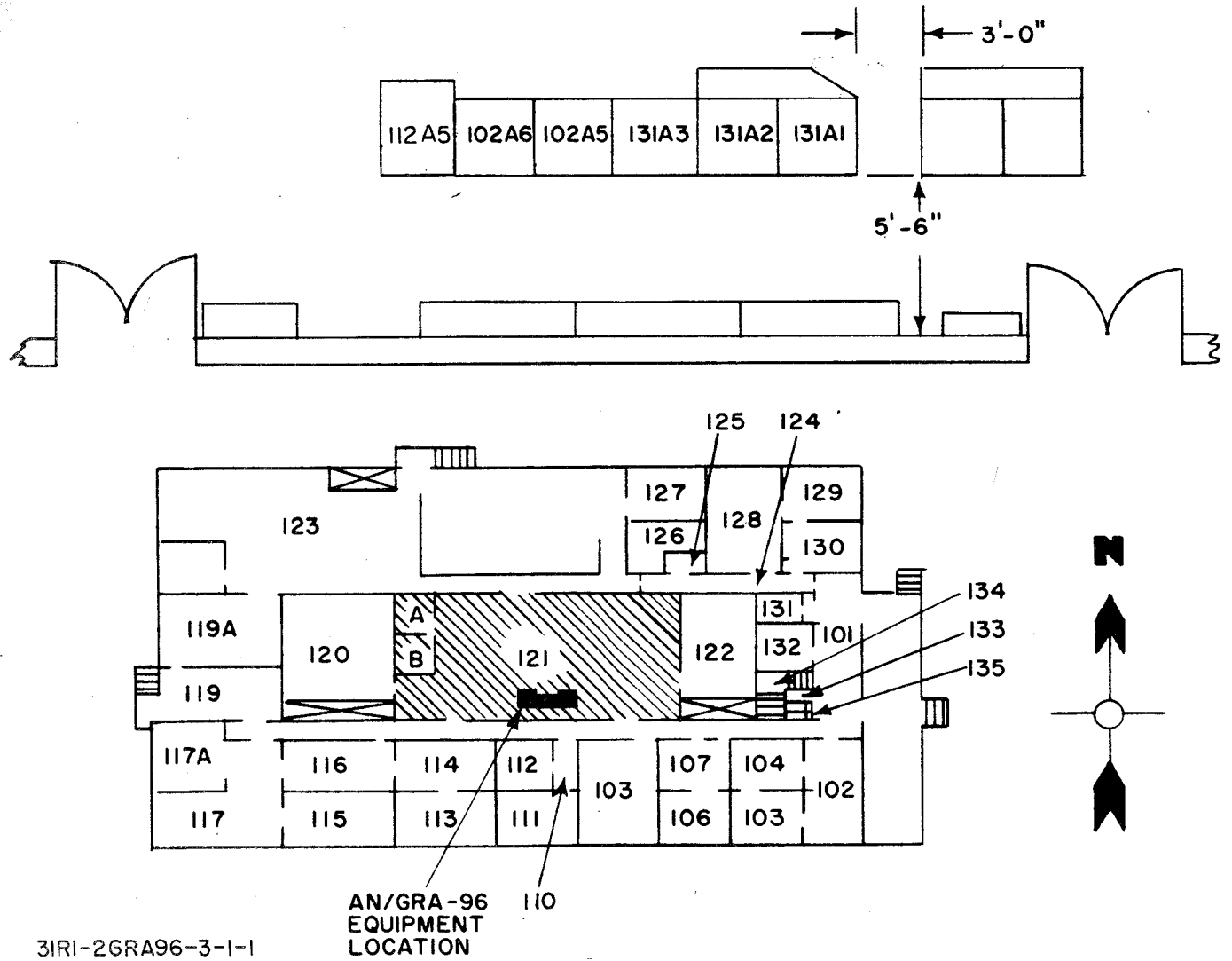


Figure 1. Operations Building Floor Plan

Figure 2

T. O. 31R1-2GRA96-3-1

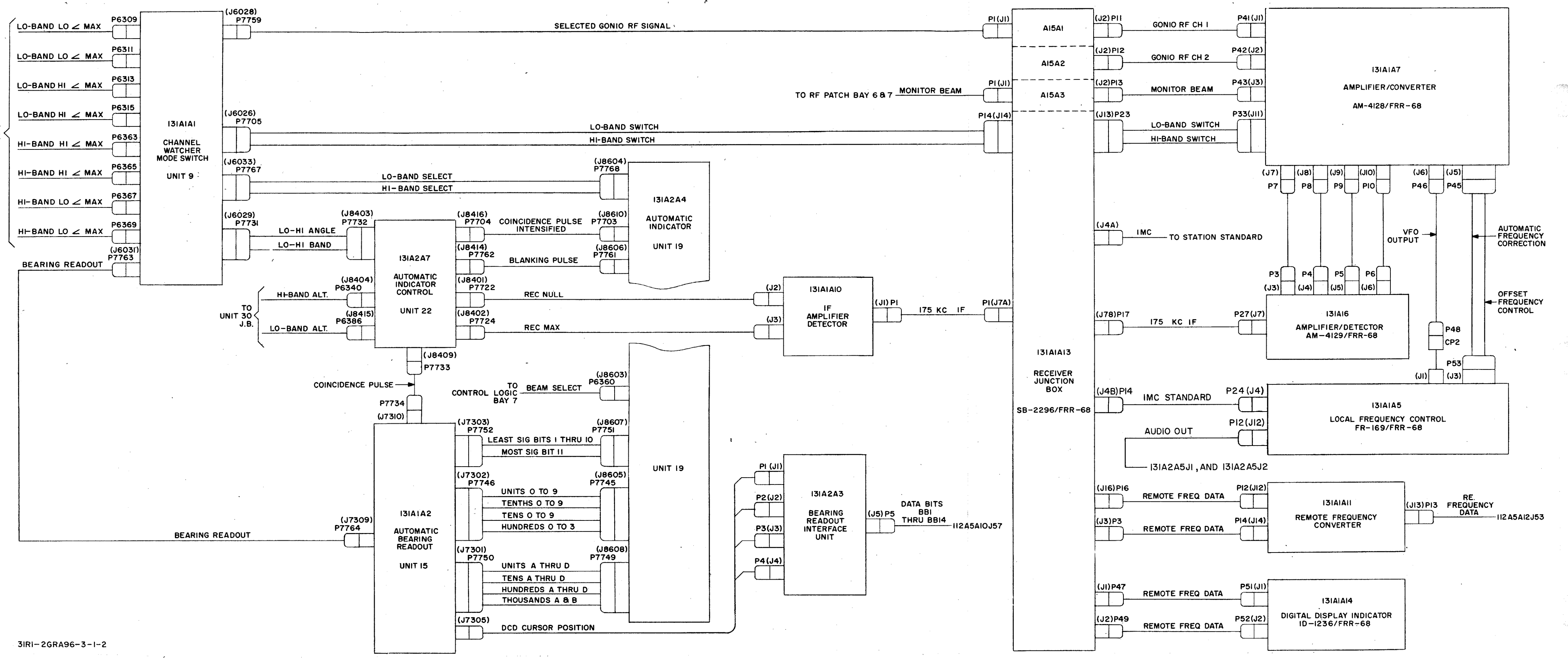
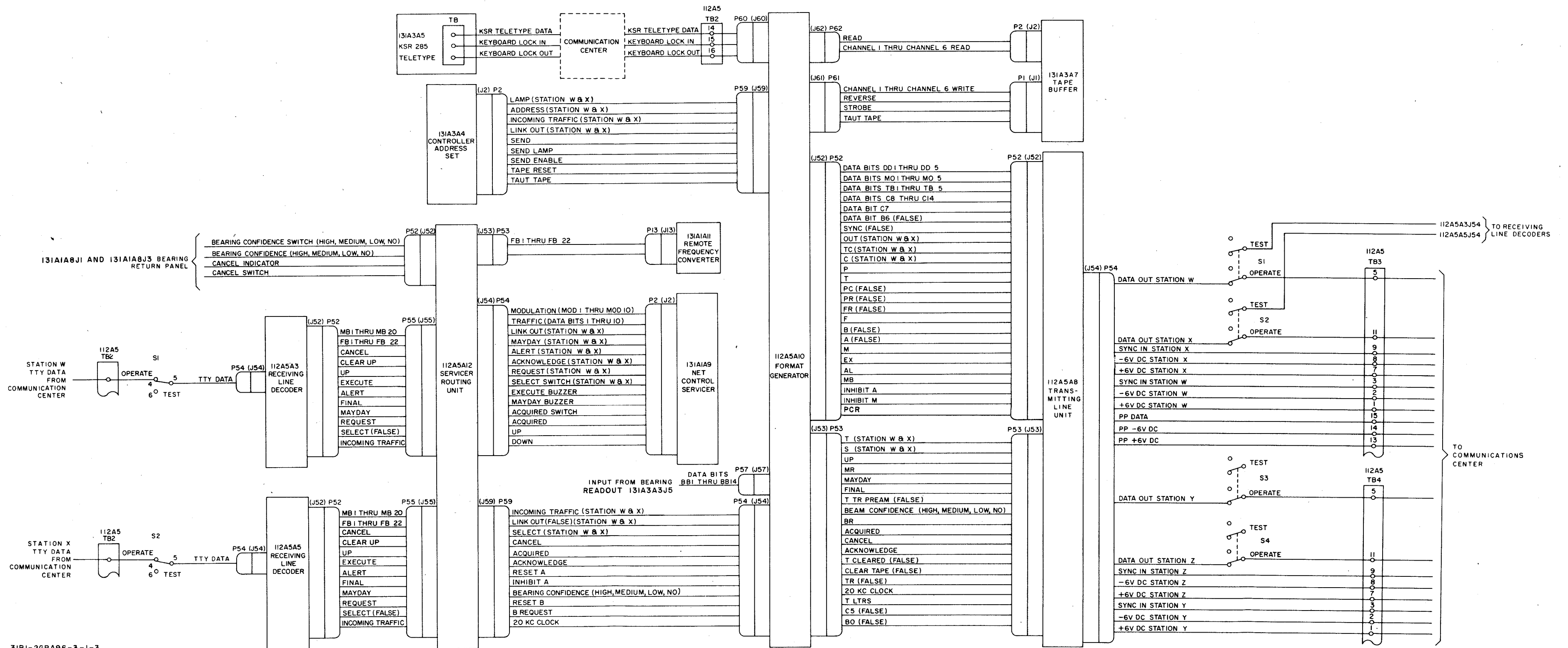


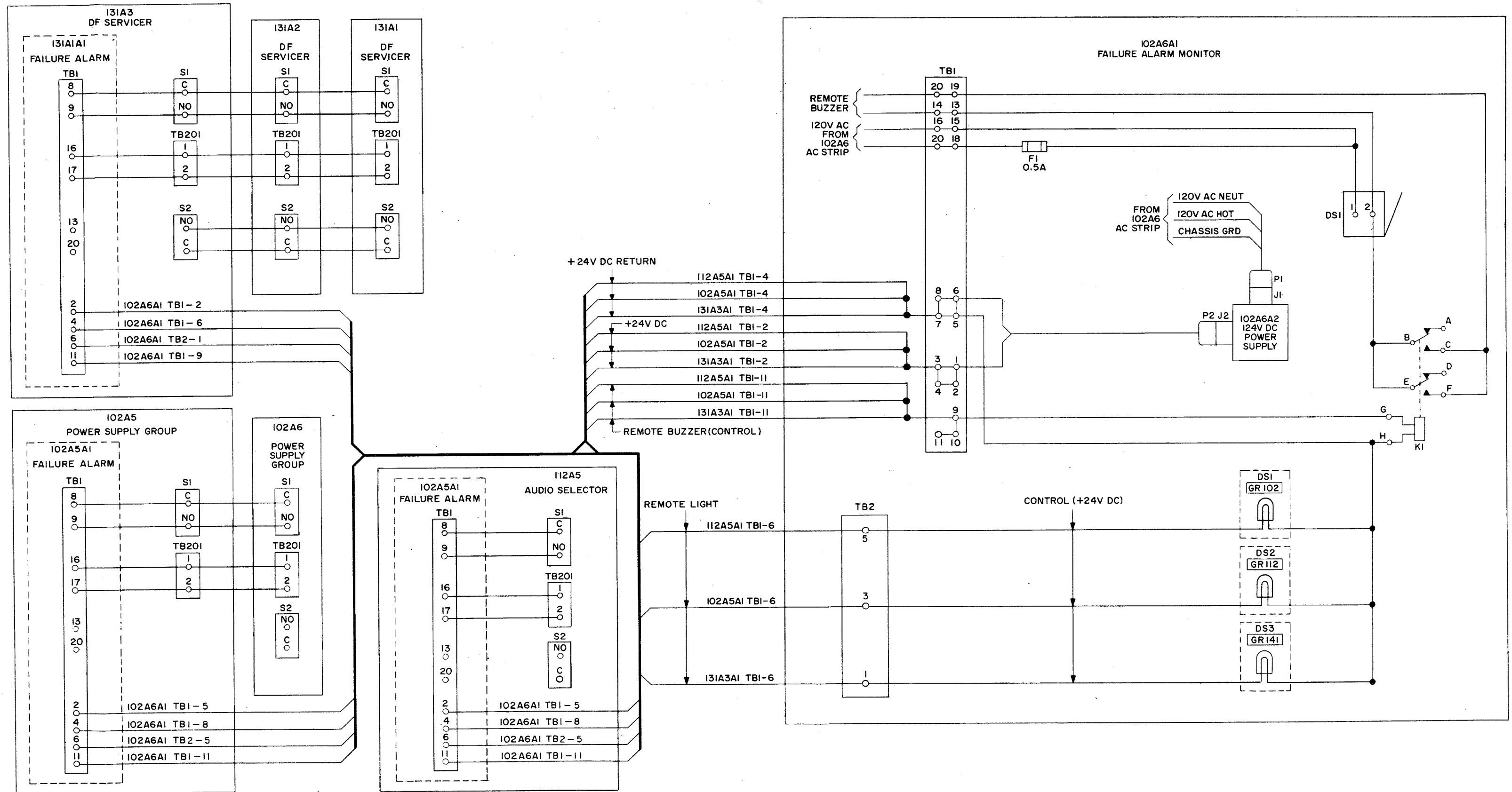
Figure 2. DF Servicer, Signal Distribution Diagram

31R1-2GRA96-3-1-2



31R1-2GRA96-3-1-3

Figure 3. DFDC, Signal Distribution Diagram



31R1-2GRA96-3-1-4

Figure 4. Alarm Monitor System, Distribution Diagram

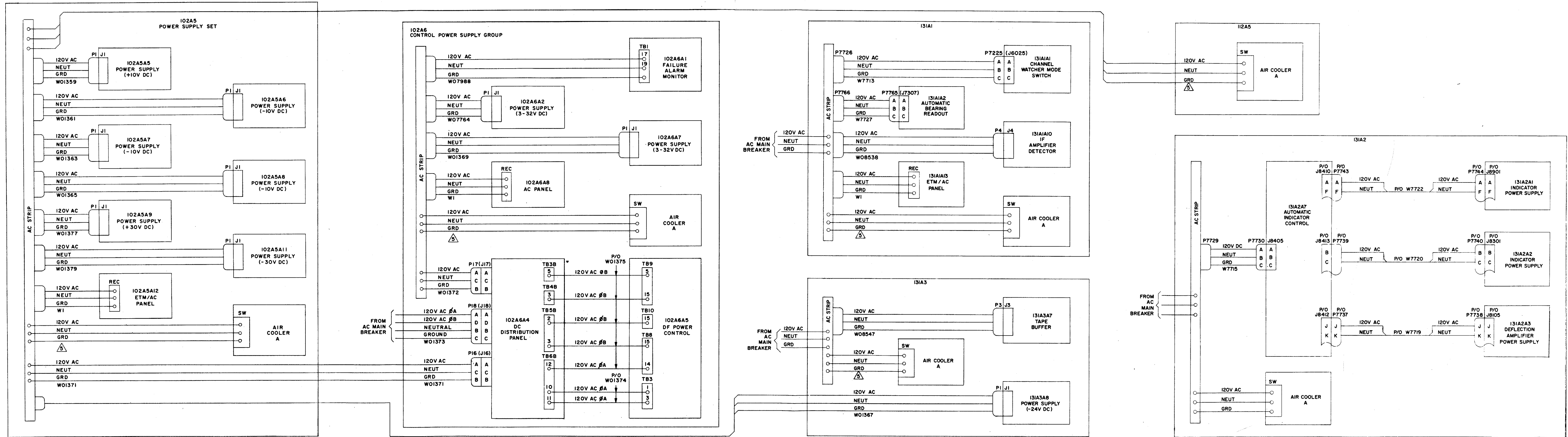
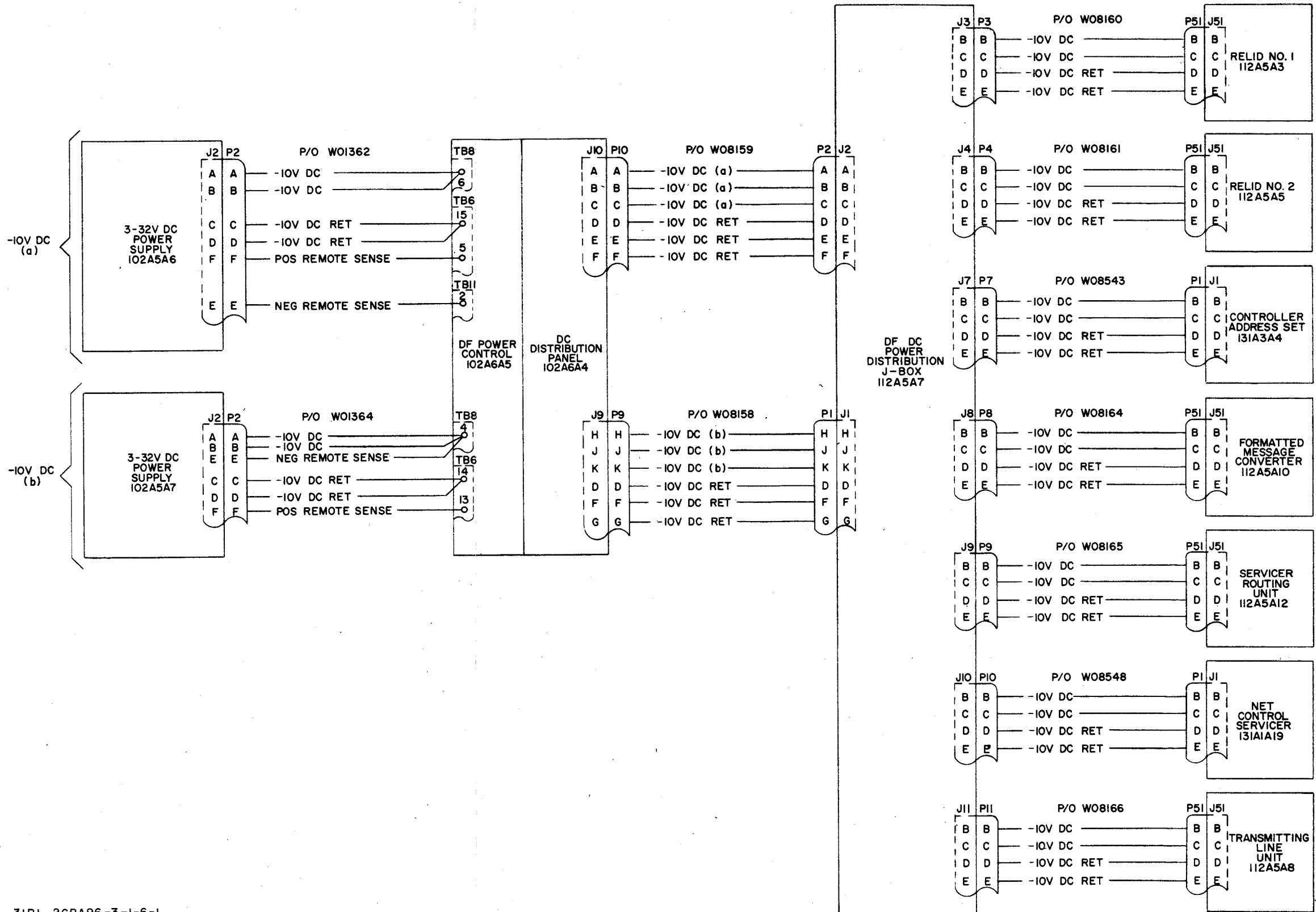


Figure 5. AC Power Distribution Diagram

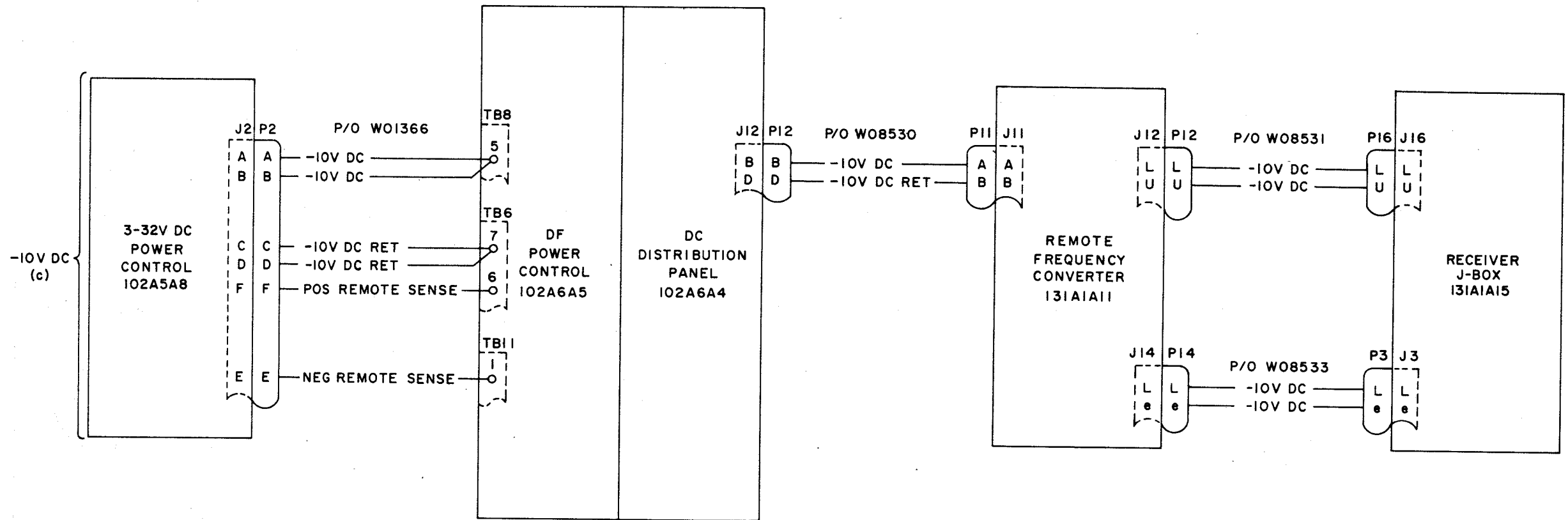
Figure 6

T. O. 31R1-2GRA96-3-1



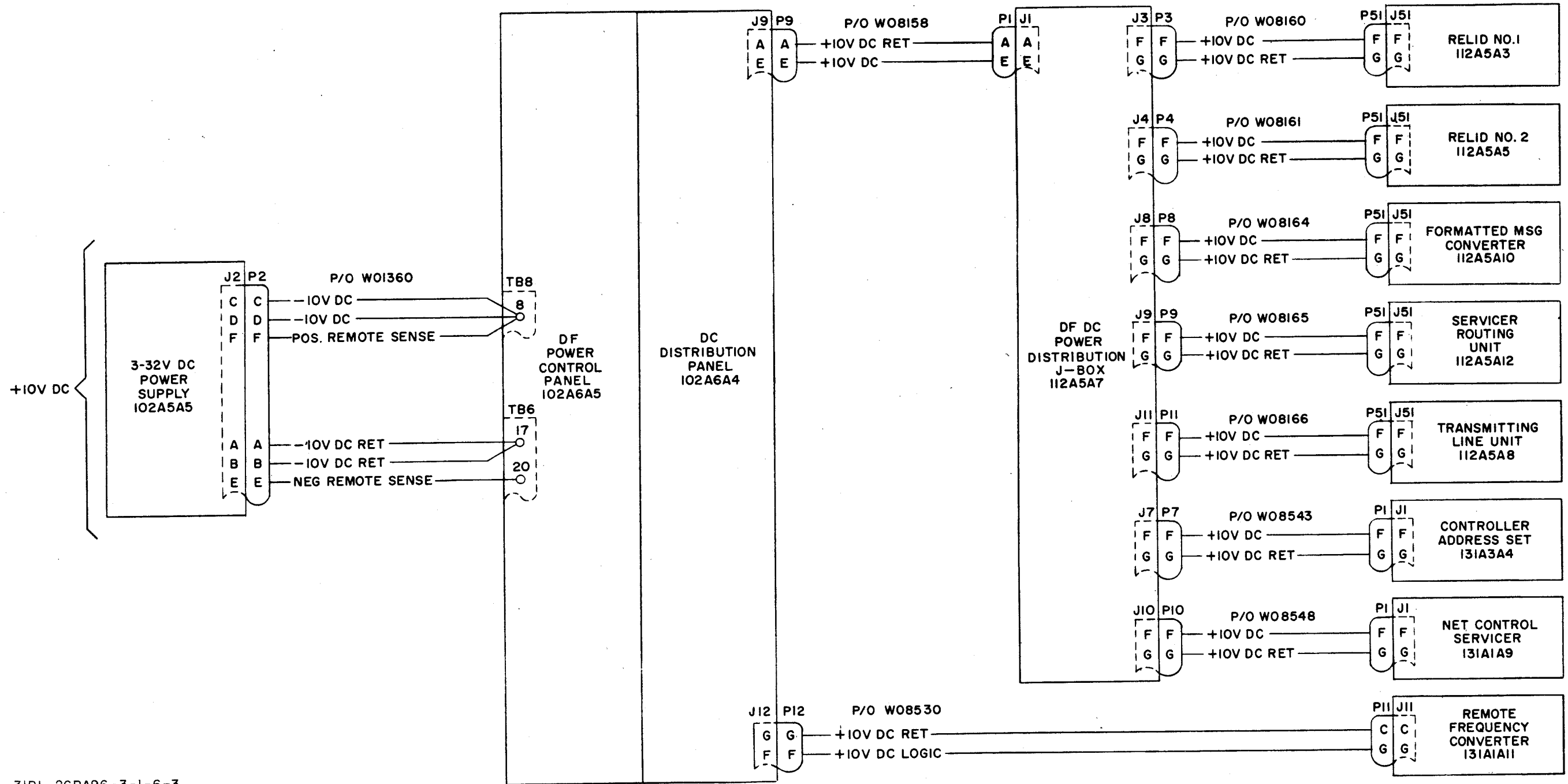
31R1-2GRA96-3-1-6-1

Figure 6. DC Power Distribution Diagram (Sheet 1 of 5)



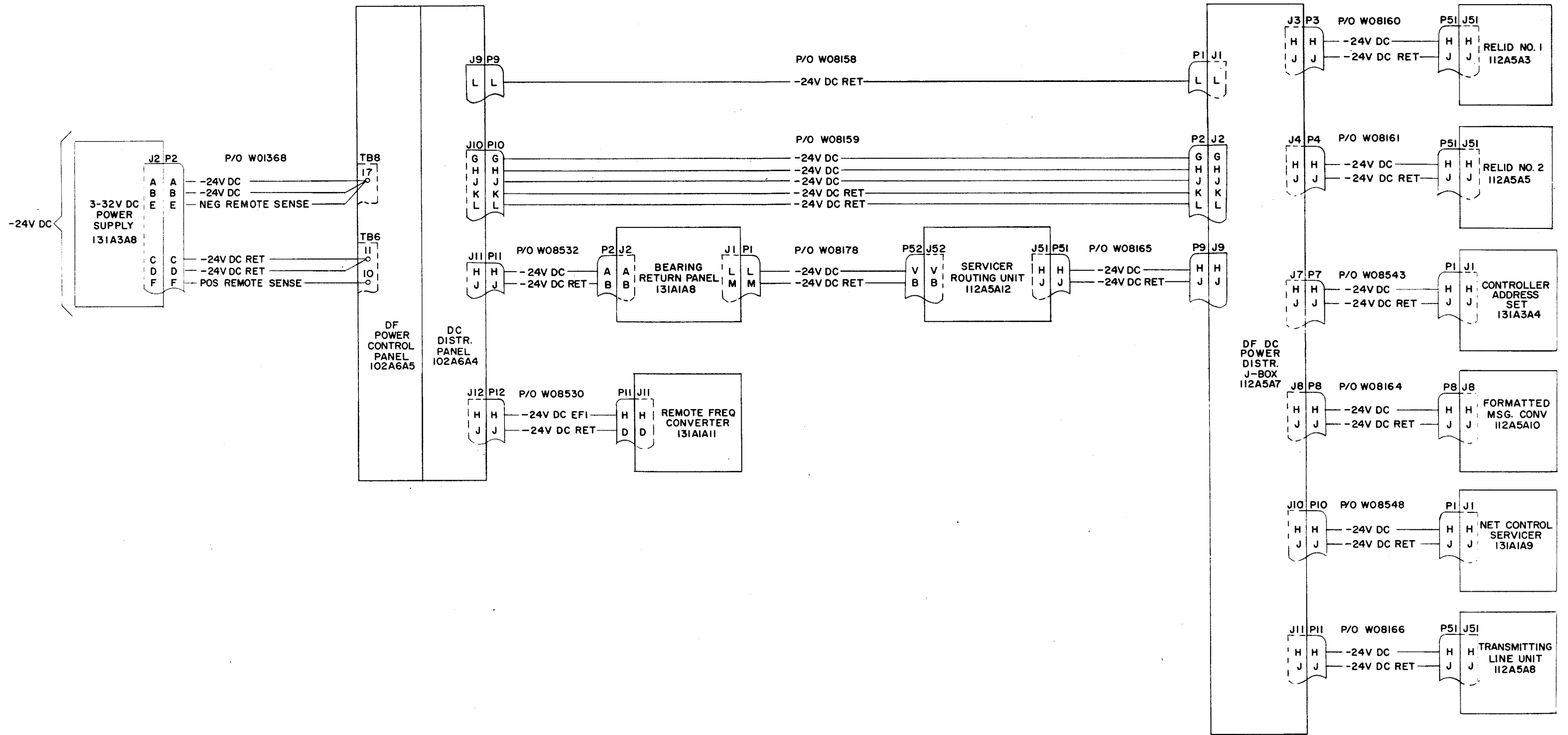
31R1-2GRA96-3-1-6-2

Figure 6. DC Power Distribution Diagram (Sheet 2 of 5)



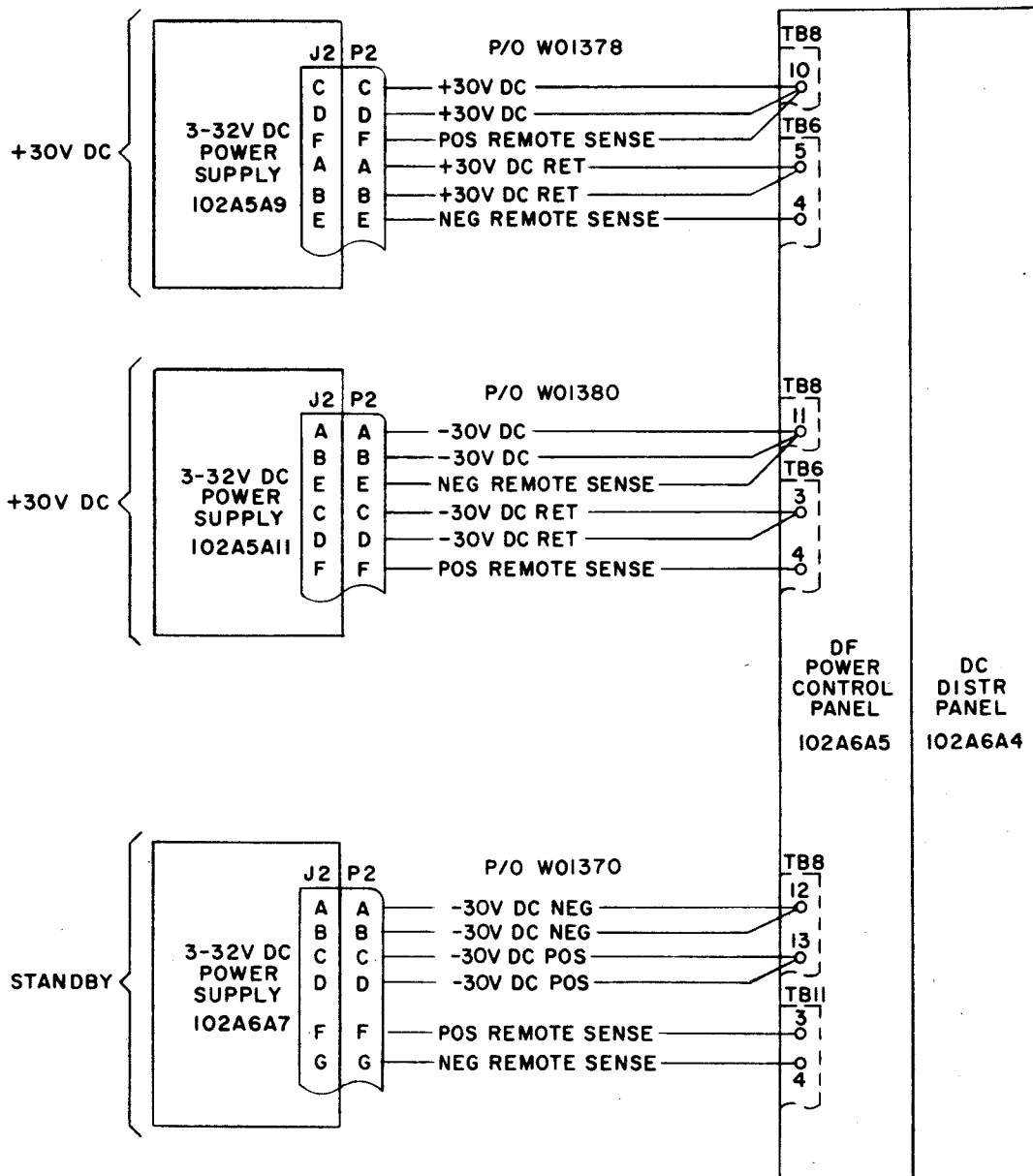
31R1-2GRA96-3-1-6-3

Figure 6. DC Power Distribution Diagram (Sheet 3 of 5)



31R1-2GRA96-3-1-6-4

Figure 6. DC Power Distribution Diagram (Sheet 4 of 5)



31R1-2GRA96-3-1-6-5

Figure 6. DC Power Distribution Diagram (Sheet 5 of 5)