

1-22. The converter group accessory mounting kit (figure 1-1) consists of four brackets with required attaching hardware for mounting the converters in a standard 19-inch rack, and two mounting brackets and eight mounting feet with required attaching hardware for mounting the converter group on a table.

1-23. QUICK REFERENCE DATA

1-24. RECEIVE AUDIO INPUT. The receive audio input operates from 600 ohms or 150 ohms with input power of 60 microwatts to 60 milliwatts (30 dB). The input is isolated from system ground.

1-25. OPERATING FREQUENCIES. Operating frequencies are programmed as follows:

<u>Mode</u>	<u>Mark (Hz)</u>	<u>Space (Hz)</u>
VLF	1,000	1,050
LF	915	1,085
HF and HF (MP)	1,575	2,425
MMM	1,615	1,785

Note: Other frequencies may be programmed. See Appendix A for instructions.

1-26. DATA RATES. Data rates up to 75 baud may be used in the CLEAR function. In the SECURE function, data is regenerated at selected data rates of 45.5, 50 and 75 baud. The data rates only apply to the receive operation.

1-27. RECEIVE OUTPUT (HIGH LEVEL). The output keys 100 mA maximum current from an external loop supply with an open circuit voltage of ± 140 Vdc maximum. High level output are isolated from the system ground. Either high level polar (positive and negative loop supplies) or neutral (single loop supply) loop configuration can be used. Positive current is marking; negative or no current is spacing.

1-28. RECEIVE OUTPUT (LOW LEVEL). The output switches $+ 6 \pm 1$ Vdc and $- 6 \pm 1$ Vdc, referenced to the system ground, with up to 10 mA current capability. Short-circuit current is limited to 100 mA maximum. Positive voltage is marking; negative voltage is spacing.

1-29. TRANSMIT INPUT (HIGH LEVEL). The input keys on a 100 mA maximum current an external loop supply with an open-circuit voltage of ± 3 Vdc minimum. High-level polar or

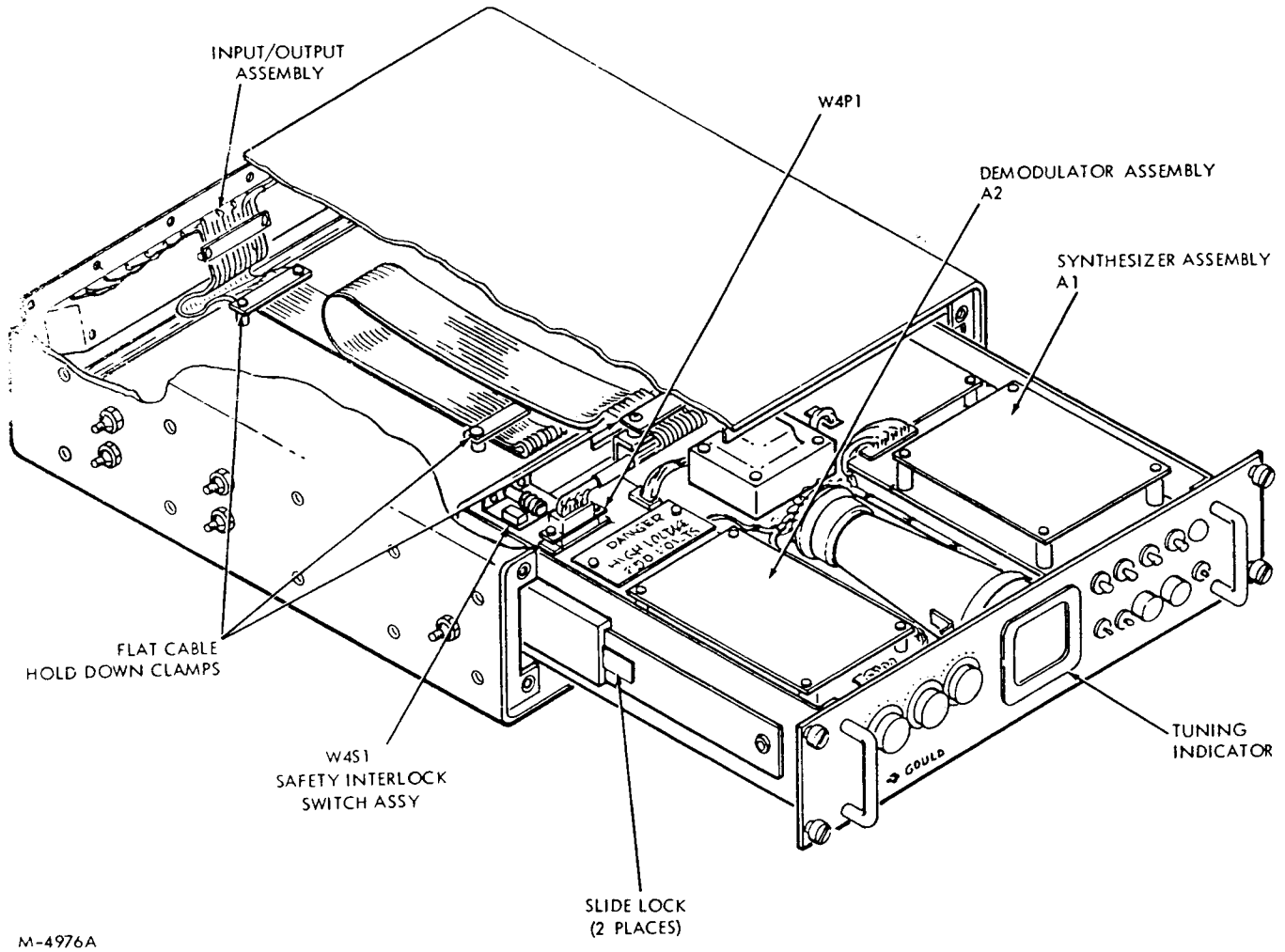


Figure 1-3. Signal Data Converter with Chassis Extended.

neutral may be used. The input is isolated from the system ground. Positive current is marking; negative or no current is spacing.

1-30. TRANSMIT INPUT (LOW LEVEL). The input is keyed on $+ 6 \pm 1$ Vdc and $- 6 \pm 1$ Vdc supplied externally. Positive voltage is marking, negative voltage is spacing.

1-31. TRANSMIT AUDIO OUTPUT. The output level is $1 \text{ mW} \pm 4$ percent into either 150 ohms or 600 ohms. The output is isolated from system ground.

1-32. TRANSMIT KEY OUTPUT. The transmit key output has a resistance of 10 ohms maximum when on and a resistance of 10 megohms minimum when off.

1-33. POWER REQUIREMENTS. The converter requires 115 or 230 Vac 10 percent at frequencies from 48 to 420 Hz. The maximum current required is 0.5A. However, 230 Vac is not normally available for shipboard use. Normally, 115 Vac, 60 Hz is used.

1-34. EQUIPMENT LISTS

1-35. EQUIPMENT SUPPLIED. Table 1-1 lists equipment supplied.

1-36. EQUIPMENT REQUIRED BUT NOT SUPPLIED. Table 1-2 lists equipment required but not supplied.

1-37. EQUIPMENT SIMILARITIES. The converter performs functions similar to CV-483D/URA-17 and CV-2460/SGC. The converter group performs functions similar to AN/URA-17D. The converter group is electrically and mechanically interchangeable with the AN/URA-17D; however, the converter group has expanded receive capability and transmit features.

1-38. WARRANTY INFORMATION. No warranty clause was included in the contract because the equipment exceeds mean time between failure (MTBF) requirements.