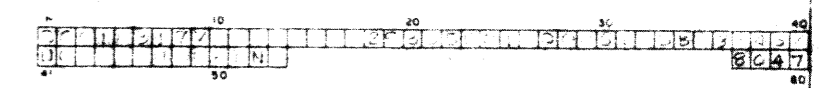


REVISIONS				
ZONE	SYM	DESCRIPTION	DATE	APPROV
A		UPDATED INITIAL ISSUE	22670	
B		ADDED NOTE 1 AND ADDED SHEETS 4 AND 5. CHANGES MADE IAW NSEF LTR SER 917-036 OF 18 AUG 1970	8-26-70	
C		CHANGED DVG NO. IAW RW-10F-2196	5-10-71	79 M
D		REVISED TERMINALS ON TB 2, SHEET 5	6-6-72	

**NOTES:**  
 1. STRAPPING AND WIRING ON SHEETS 2 & 3 PERTAIN TO PRESENTLY INSTALLED MODULES. ANY FUTURE INSTALLATIONS ARE TO BE STRAPPED AND WIRED IAW SHEETS 4 & 5. THIS STRAPPING PERMITS PATCHING WHILE LOCKOUT SWITCH IS ENGAGED.

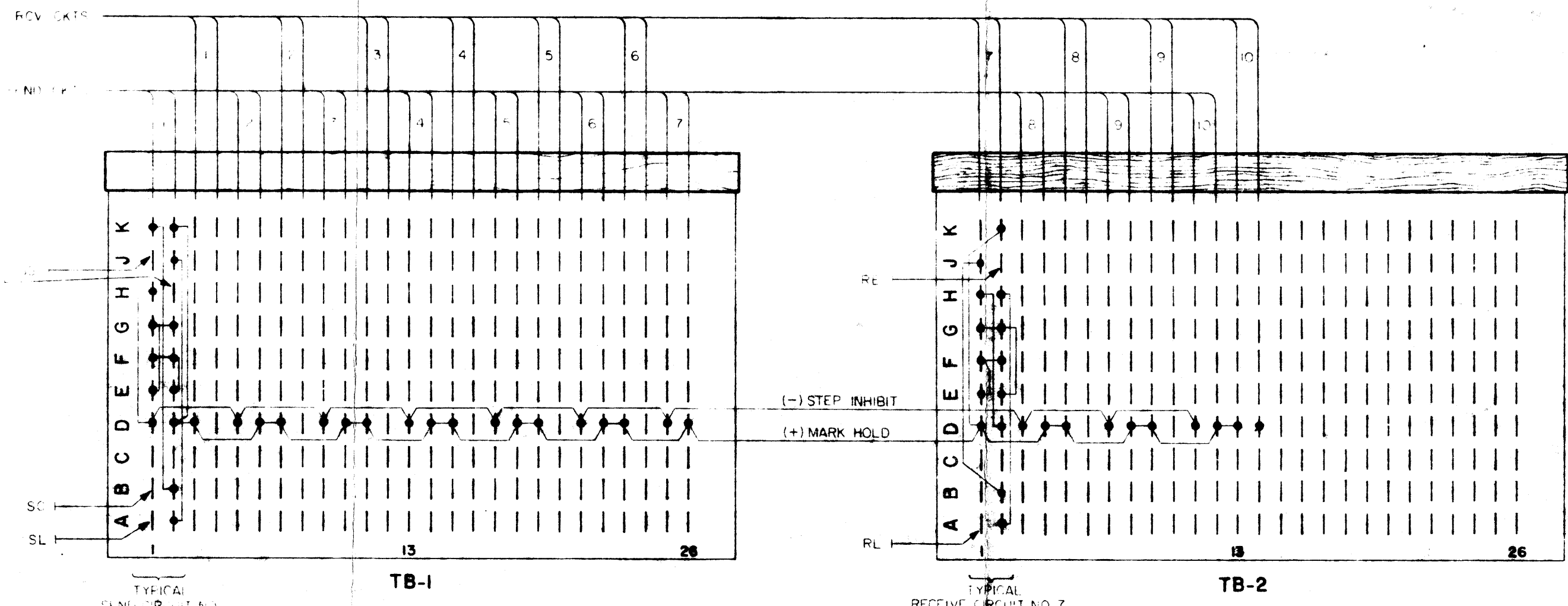
REFERENCE:  
 NAVSHEET 80147

FOR SHORE USE ONLY - NOT FOR SHIPBOARD USE.  
 THIS DRAWING IS NOT TO BE USED FOR CONSTRUCTION OF SHIPBOARD EQUIPMENT.



TECHNICAL DATA					
HT	WIDTH	DEPTH	WEIGHT	PWR REQ	
SB-3145/UG	19"	19-1/2"	42 LB	NONE	

APPROVAL		NAVAL ELECTRONIC SYSTEMS COMMAND WASHINGTON, D. C. 20390	
PROJECT ENG		FOR SHORE USE	
SECTION HEAD		COMMNAVSECGRU	
BRANCH HEAD		STANDARD PLAN	
DIVISION HEAD		SB-3145/UG	
DRAFTING SECT		SIZE CODE IDENT NO. NAVELECSYSCOM DRAWING NO.	
DRAWN	TJM	F 29355 0103177	
DATE		SCALE	SHEET 1 OF 5



ODD ROW	EVEN ROW	ODD ROW	EVEN ROW
	RE	K	
		J	SS
		H	SE
		G	
		F	
(+)MH		D	(-)STEP INHIBIT (+)MH
		C	SC
RL		A	SL

RCV CKTS & SEND CKTS  
EXT LINE TERM

LOCKOUT SW  
TERMINATIONS

LINE AND EQUIPMENT  
JACK  
TERMINATIONS

TYPICAL SEND CIRCUIT NO. 6

TB-1

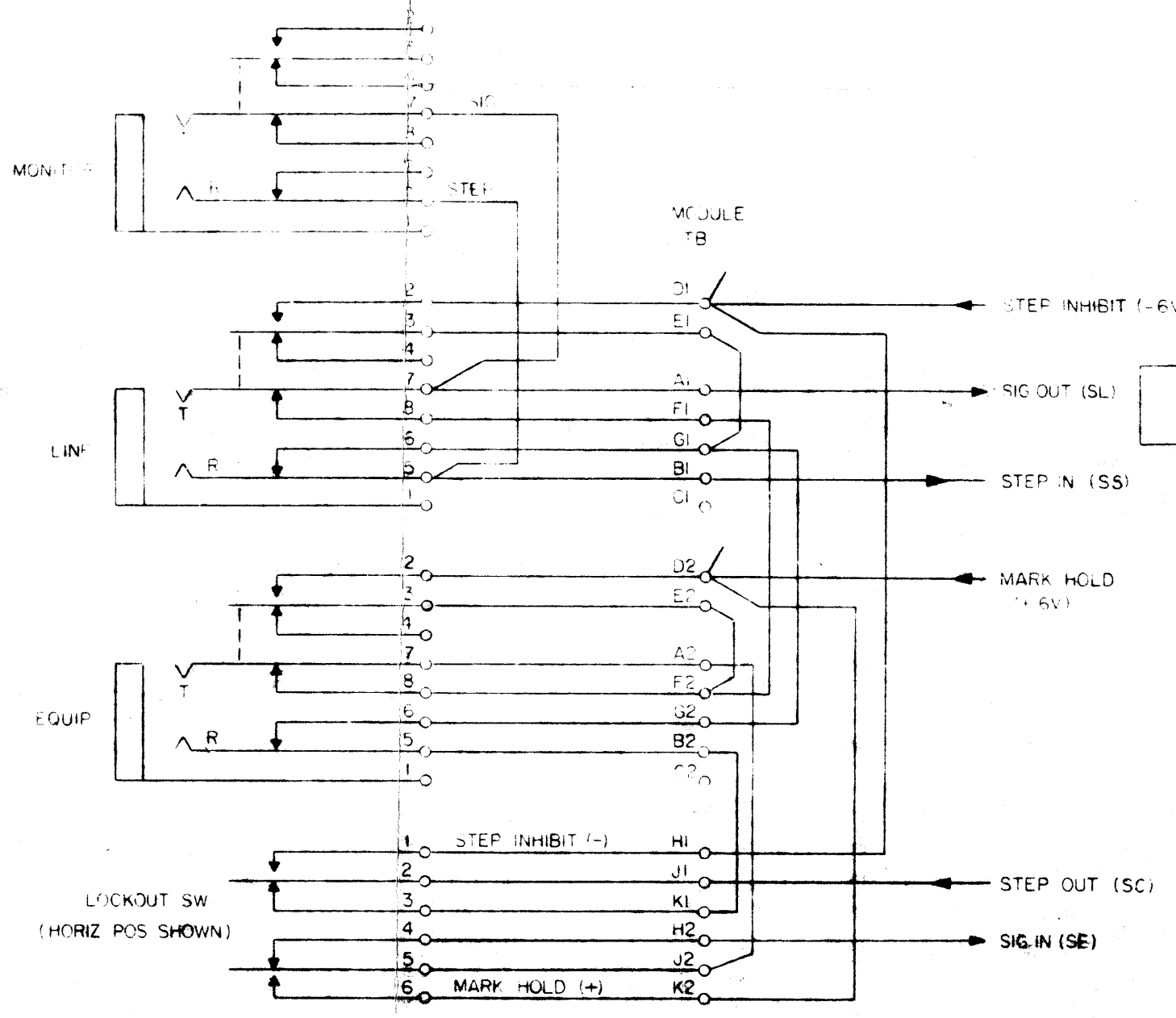
TYPICAL RECEIVE CIRCUIT NO. 7

TB-2

**TYPICAL STRAPPING DETAIL**

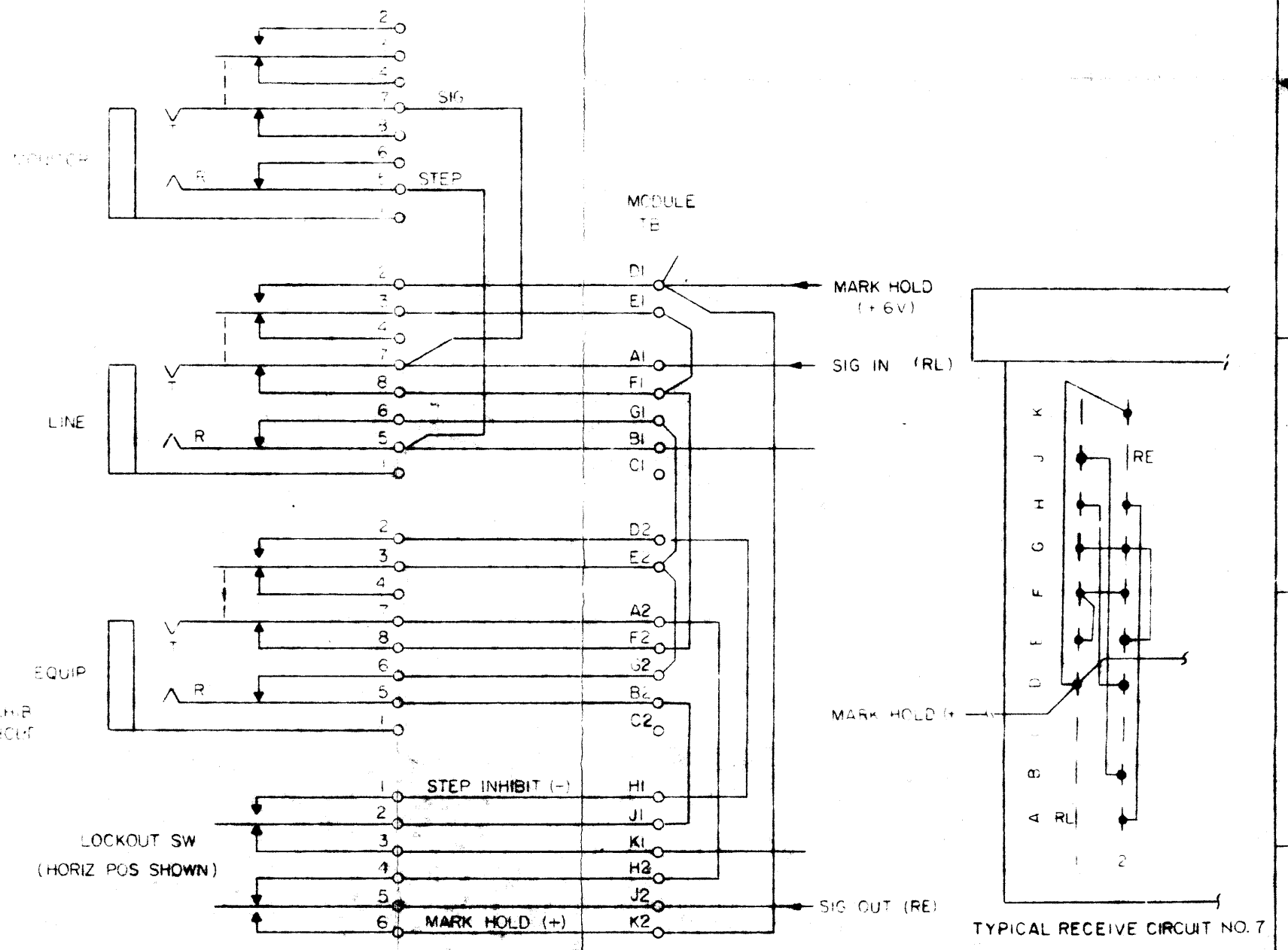
REQUIRED FOR ALTERNATE SEND/RECEIVE JACK APPEARANCES (SEE NOTE 1)

NOTE: O DELETES FROM POINT



TYPICAL SEND CIRCUIT SCHEMATIC

TYPICAL SEND CIRCUIT NO. 6



TYPICAL RECEIVE CIRCUIT SCHEMATIC

TYPICAL RECEIVE CIRCUIT NO. 7

**LEGEND:**

- → COMMON TERMINATION ON TB
- → CIRCUIT TERMINATION

CABLE NO. 2 STEP II PR FSM IN6145 964-7464 (MIL-C-23437C)

CABLE NO. SIGNAL 76 PR FSM IN6145 PWP 2465 (MIL-C-23437C)

TR-2	Color	PR
A17	BRN	
A27	BLK	PR 14
A31	SLT	
A41	BLK	PR 15
A51	BLK	
A61	YEL	PR 16
A70	GRN	
H80	YEL	PR 17
A91	GRN	
A100	YEL	PR 18
A110	BRN	
A120	YEL	PR 19
A130	SLT	
A140	YEL	
B30	GRN	
A150	SLT	PR 20
B70	BRN	
A170	RED	PR 21
A180	SLT	
A190	RED	PR 22

PR	Color	Terminal
PR1	BLU	041
	WHT	042
	GRN	043
PR2	WHT	044
	GRN	045
	WHT	046
	BRN	047
	WHT	048
	SLT	049
PR5	WHT	0410
	BLU	0411
PR6	RED	0412
	GRN	0413
	RED	0414
	GRN	0415
	RED	0416
	BRN	0417
	RED	0418
	SLT	0419
PR10	RED	0420
	BLU	0421
	SLT	0422
	GRN	0423
	GRN	0424
	YEL	0425
	GRN	0426
	YEL	0427
	BLK	0428
	BLU	0429
	WHT	0430
	GRN	0431
	WHT	0432
	GRN	0433
	YEL	0434
	GRN	0435
	YEL	0436
	BRN	0437
	YEL	0438
	SLT	0439
	YEL	0440
	BLU	0441
	VID	0442
	GRN	0443
	VID	0444
	GRN	0445
	VID	0446
	BRN	0447
	VID	0448
	SLT	0449
	VID	0450
	BLU	0451
	WHT	0452

CABLE NO.	PR NO.	COLOR CODE	FUNCTION	TERM BLK	TERM
		BLU	SEND SIG IN (SL)		
		WHT	SEND SIG OUT (SE)		
		GRN	REC SIG IN (RL)		
		WHT	REC SIG OUT (RE)		
		GRN	SEND SIG IN (SL)		
		WHT	SEND SIG OUT (SE)		
		BRN	REC SIG IN (RL)		
		WHT	REC SIG OUT (RE)		
		SLT	SEND SIG IN (SL)		
		WHT	SEND SIG OUT (SE)		
		BLU	REC SIG IN (RL)		
		RED	REC SIG OUT (RE)		
		GRN	SEND SIG IN (SL)		
		RED	SEND SIG OUT (SE)		
		GRN	REC SIG IN (RL)		
		RED	REC SIG OUT (RE)		
		BRN	SEND SIG IN (SL)		
		RED	SEND SIG OUT (SE)		
		SLT	REC SIG IN (RL)		
		RED	REC SIG OUT (RE)		
		BLU	SEND SIG IN (SL)		
		BLK	SEND SIG OUT (SE)		
		GRN	REC SIG IN (RL)		
		BLK	REC SIG OUT (RE)		
		GRN	SEND SIG IN (SL)		
		BLK	SEND SIG OUT (SE)		
		BRN	REC SIG IN (RL)		
		BLK	REC SIG OUT (RE)		
		SLT	SEND SIG IN (SL)		
		BLK	SEND SIG OUT (SE)		
		BLU	REC SIG IN (RL)		
		YEL	REC SIG OUT (RE)		
		GRN	SEND SIG IN (SL)		
		YEL	SEND SIG OUT (SE)		
		GRN	REC SIG IN (RL)		
		YEL	REC SIG OUT (RE)		
		BRN	SEND SIG IN (SL)		
		YEL	SEND SIG OUT (SE)		
		SLT	REC SIG IN (RL)		
		YEL	REC SIG OUT (RE)		
		BLU	VID		
		GRN	VID		
		VID	SPARE		
		GRN	VID		
		VID	SPARE		
		GRN	VID		
		VID	SPARE		
		BRN	VID		
		VID	SPARE		
		SLT	VID		
		VID	SPARE		
		BLU	WHT	EV STEP IN (SI)	
		WHT	EV STEP OUT (SO)		

CABLE NO.	PR NO.	COLOR CODE	FUNCTION	TERM BLK	TERM
2	1	BLU	SEND STEP IN (SI)		
		WHT	SEND STEP OUT (SO)		
2	2	GRN	SEND STEP IN (SI)		
		WHT	SEND STEP OUT (SO)		
2	3	GRN	SEND STEP IN (SI)		
		WHT	SEND STEP OUT (SO)		
2	4	BRN	SEND STEP IN (SI)		
		WHT	SEND STEP OUT (SO)		
2	5	SLT	SEND STEP IN (SI)		
		WHT	SEND STEP OUT (SO)		
2	6	BLU	SEND STEP IN (SI)		
		RED	SEND STEP OUT (SO)		
2	7	GRN	SEND STEP IN (SI)		
		RED	SEND STEP OUT (SO)		
2	8	GRN	SEND STEP IN (SI)		
		RED	SEND STEP OUT (SO)		
2	9	BRN	SEND STEP IN (SI)		
		RED	SEND STEP OUT (SO)		
2	10	SLT	SEND STEP IN (SI)		
		RED	SEND STEP OUT (SO)		
2	11	BLU	SPARE		
		BLK	SPARE		

FOLD BACK SPARE PAIR

SE SEND SIGNAL IN FROM EQUIPMENT  
 SL SEND SIGNAL TO THE LINE  
 RE RECEIVE SIGNAL TO THE EQUIPMENT  
 RL RECEIVE SIGNAL IN FROM THE LINE  
 SS SEND STEP PULSE TO EQUIPMENT  
 ST SEND STEP PULSE IN FROM EQUIPMENT  
 SPARE PAIR GROUND AT TOP