

DEPARTMENT OF THE ARMY
HEADQUARTERS USA REGIONAL COMMUNICATIONS GROUP (VIETNAM)
APO San Francisco 96243

TECHNICAL CONTROL
STANDARDS AND PRACTICES

SCCPV-RG-PO-NW

ITEM NR: 1371-01

SUBJECT: Standard Jack Details-Reference Data

1. Background. There are numerous types of jack assemblies in common use in military communications facilities. Detailed information on their configurations and wiring is difficult to locate. This item provides schematics and other data on 11 different types of details.

2. Data Given on Details.

a. Table I gives the nomenclature, FSN, and description of each detail.

b. Schematics and sketches of the jack details are also given.

3. Use of DC Details. Several applications of DC Details are given in figures 16-24. The cabinet shown in Figure 16 is the Cabinet CY-3397A/G, 5975-892-9272, with Shelf Telephone FN-28/G, 5840-313-3561.

TABLE I: Jack Details - Reference Data

Common Name	Nomenclature	Description	FSN	Fig Nr.
"A" Detail	Indicator Lamp Ass'y Detail "A", MX-4457/G	General View, D.C. Jack Detail	5815-086-8343	1
"B" Detail	Switch Key and Lamp Ass'y Detail "B", MX-4456/G	Two rows of 24 lamps each. One row white; one red. Designation strips for each row.	5815-086-8342	2
"C" Detail	Jack Ass'y Detail "C", J-2110/G	One row 24 red lamps with designation strip. One row 24 key switches, DPDT	5815-086-8350	3
"D" Detail	Jack Ass'y Detail "D", J2109/G	Two row of 24 each series jacks for miscellaneous use	5815-086-8358	4
"E" Detail	Switch Key and Lamp Ass'y Detail "E" MX-4455/G	24 Sets of D.C. Jacks-one "Set" and one "Looping" jack in each set	5815-086-8352	5
"F" Detail	Switch Key and Lamp Ass'y Detail "F", MX-4427/G	Two rows of 24 each key switches-DPDT. Two rows of lamps-one white, one red.	5805-973-3544	6
"G" Detail	Jack Ass'y Detail "G", J-2102/G	One row of 24 each key switches-DPDT. Two rows of lamps-one white, one red.	5935-973-3542	7
"G" Detail	Jack Ass'y Detail "G", J-2102/G	24 sets of DC jacks. Each set with 2 cut-off jacks and 2 series looping jacks.		8

"H" Detail	Jack Ass'y Detail "H", J-2101/G	24 sets of DC Jacks. Each set with 2 cut-off jacks.	5935-973-3541	9
"I" Detail	Jack Ass'y Detail "I", J-2101/G	24 sets of DC Jacks. Each set with 1 cut-off jack and 3 series looping jacks.	5935-974-1521	10
"J" Detail	Key & Lamp Ass'y, Detail "J" MX-4426/G	24 sets of one lamp and one DPT switch each	8505-973-3543	11
"K" Detail	Jack Ass'y Detail "K", J-2099/G	24 sets of DC jacks. Each set with 2 cut-off set jacks and 2 series looping jacks.	5935-974-1520	12
"L" Detail	Jack Ass'y Detail "L", TH-46/G		5805-957-4649	None
"M" Detail	Jack Ass'y Detail "M", J-2098/G	Twelve sets of single wire VF Jacks, 6 jacks in each set.	5935-974-1519	13&14
"N" Detail	Jack Ass'y Detail "N", J-2097/G	24 sets of single wire miscellaneous VF Jacks; 2 jacks in each sets.	5935-973-3545	15

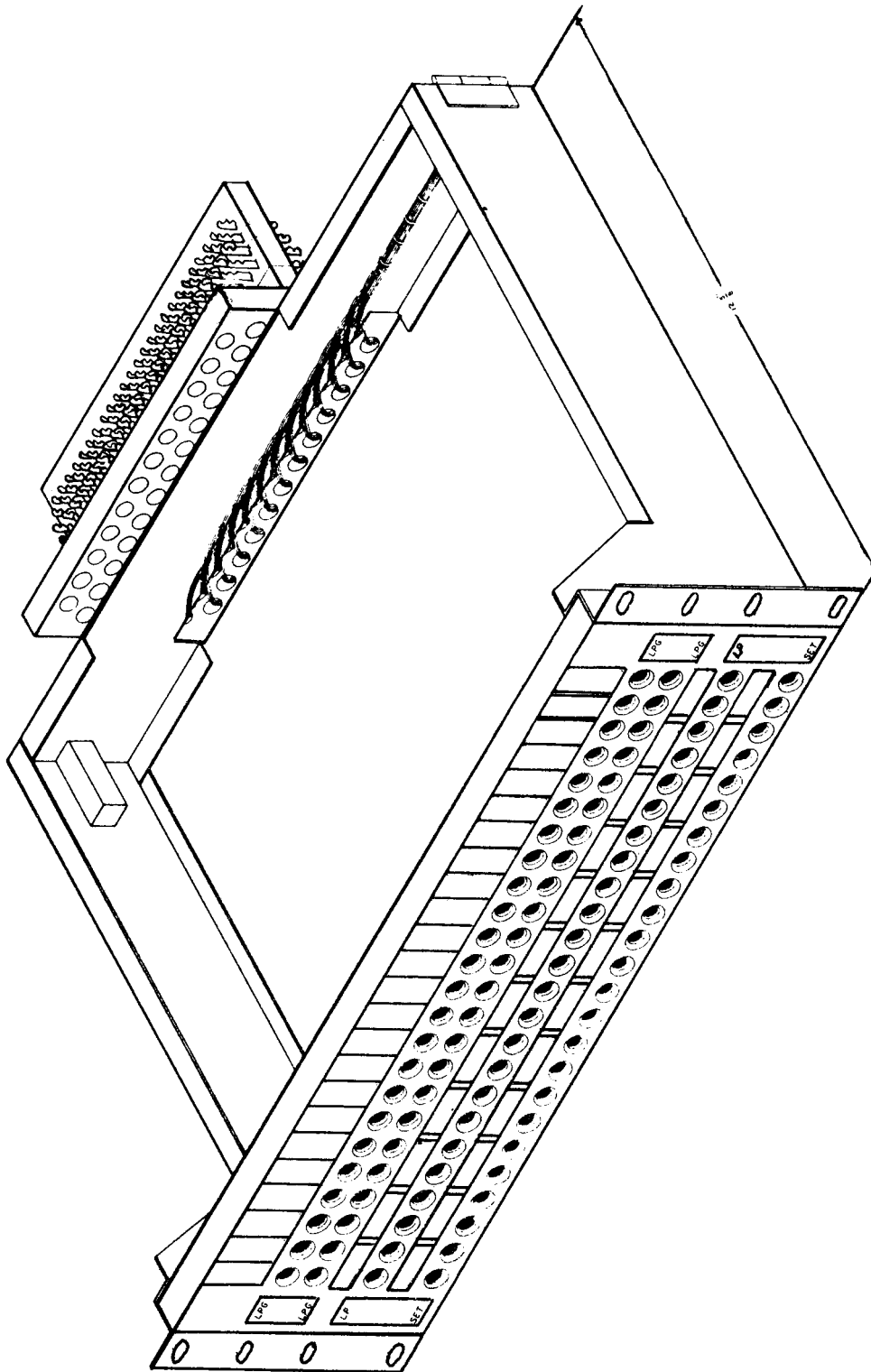


Figure 1

General View, D. C. Jack Detail

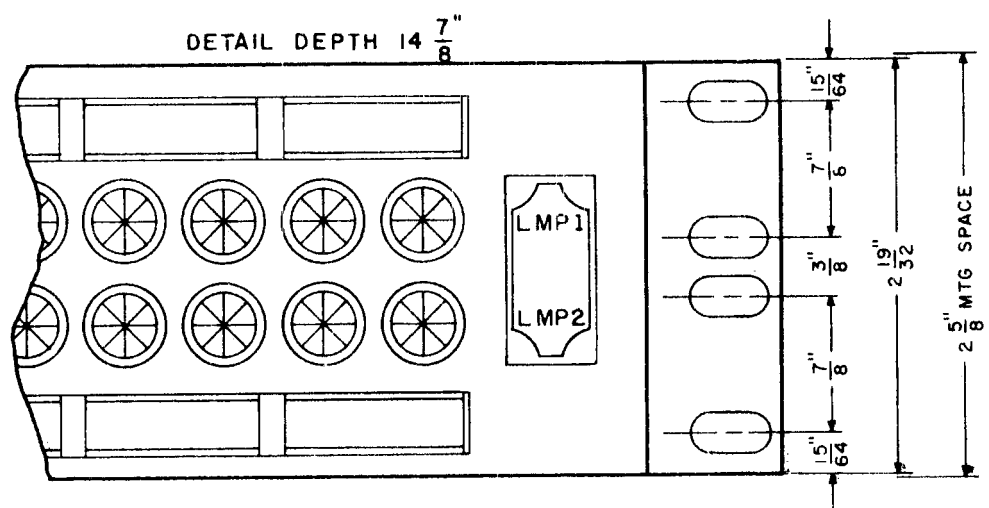
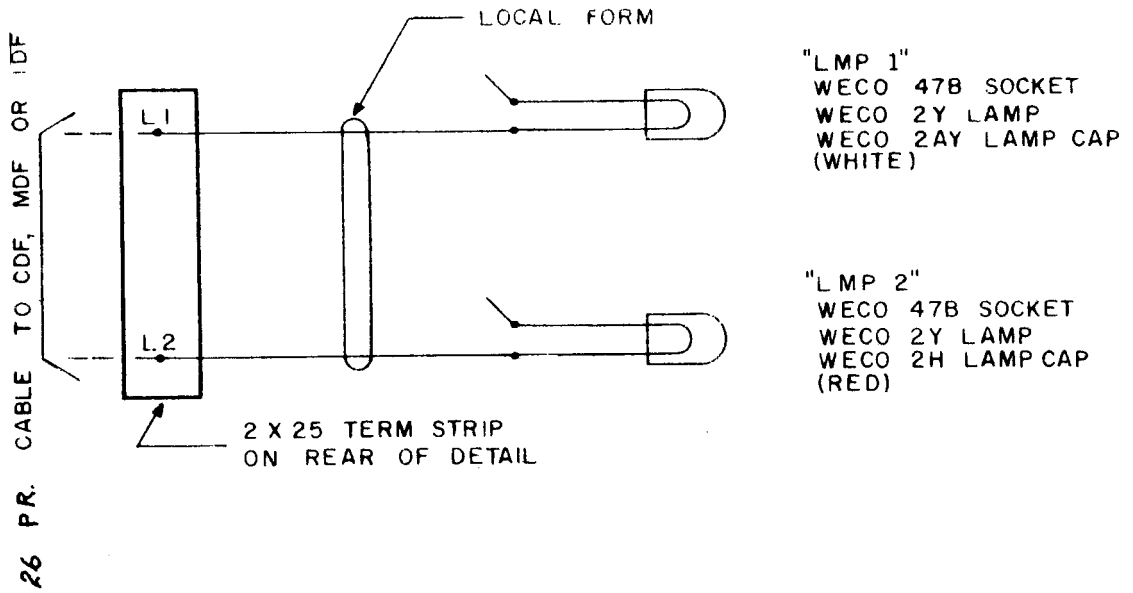


Figure 2

D. C. Detail A

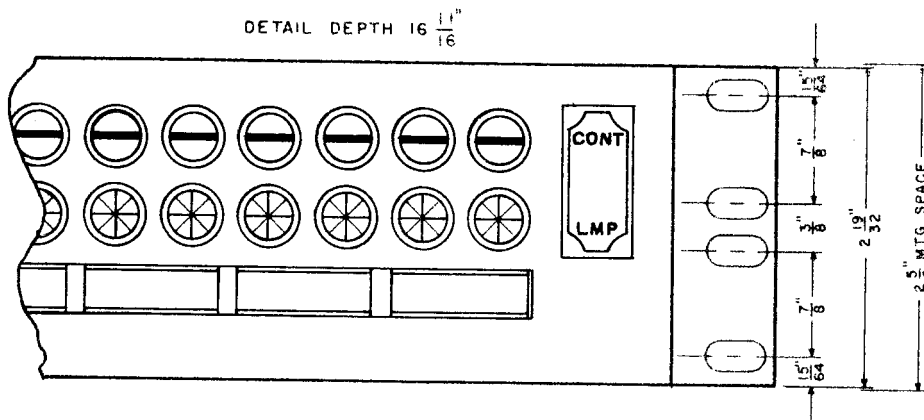
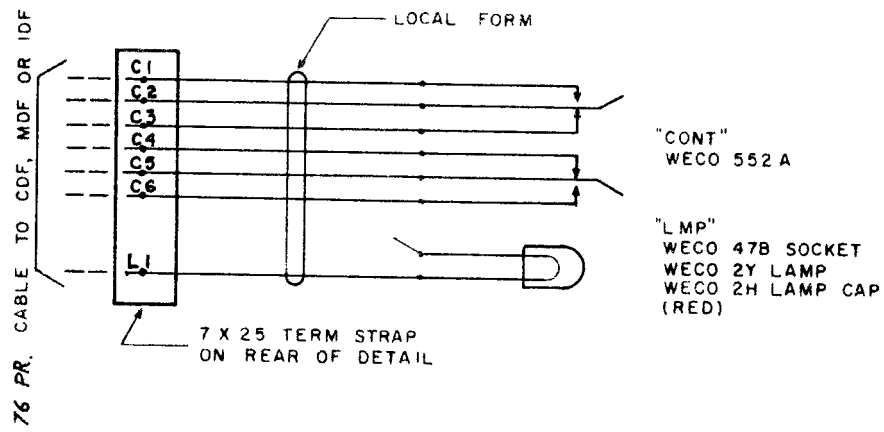


Figure 3

D. C. Detail B

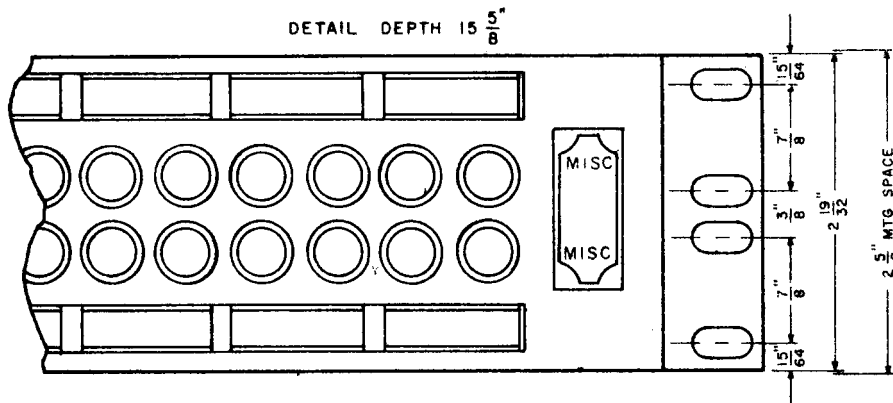
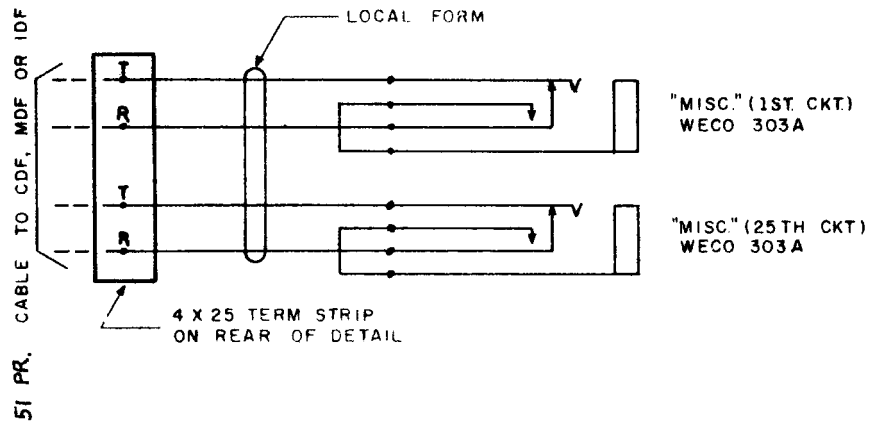


Figure 4

D. C. Detail C

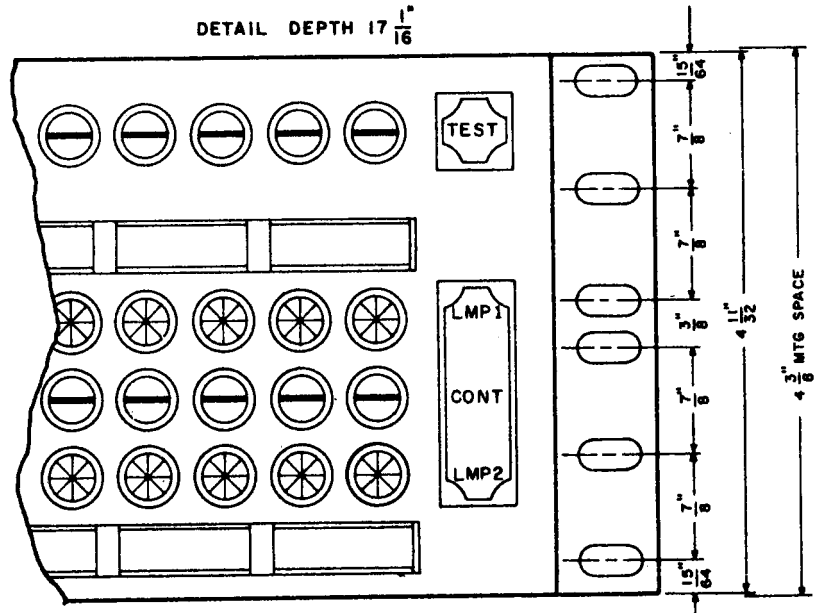
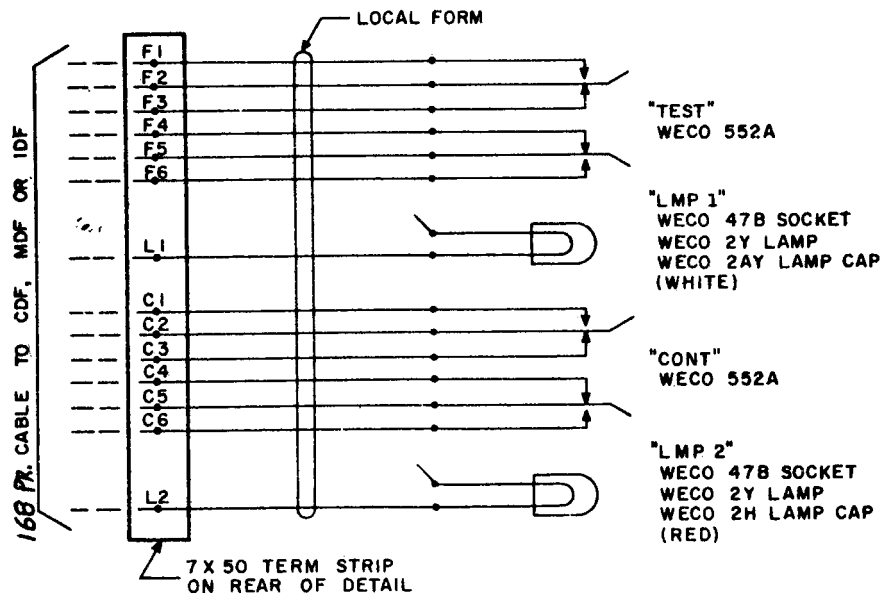


Figure 5

D. C. Detail D

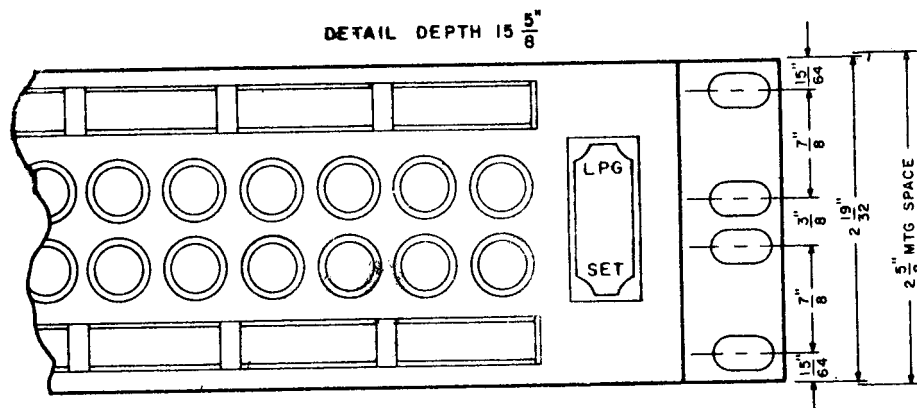
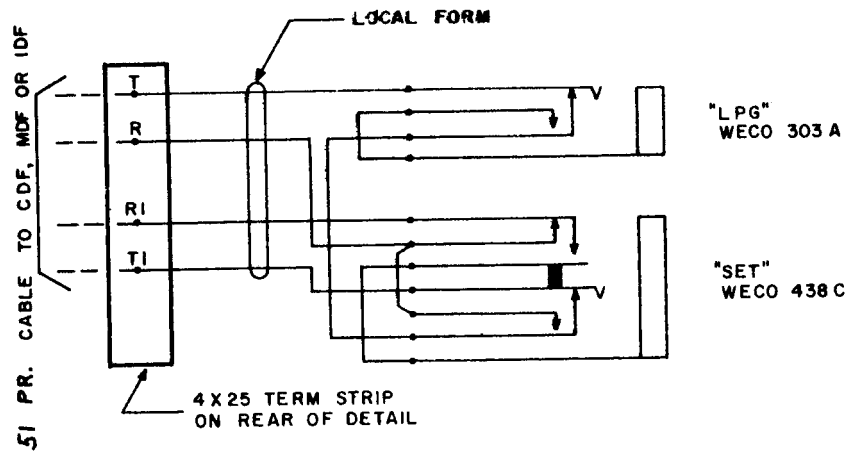


Figure 6

D. C. Detail E

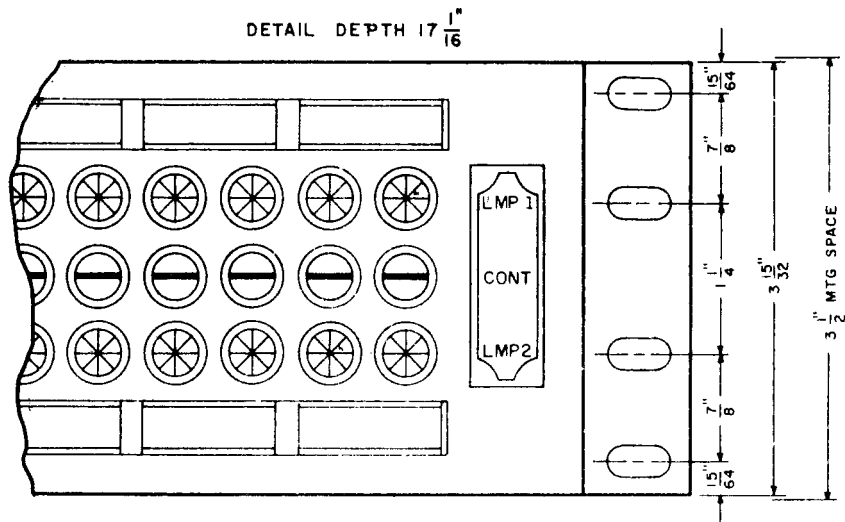
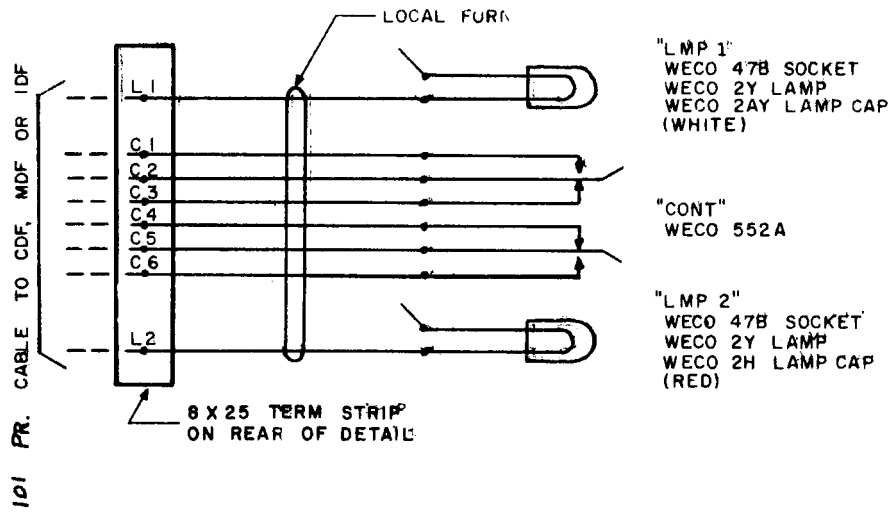


Figure 7

D. C. Detail F

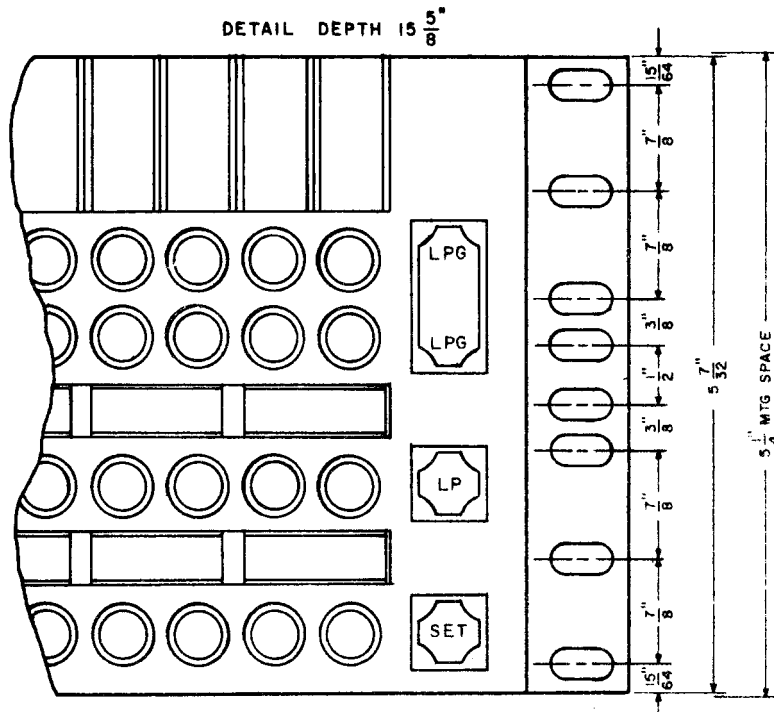
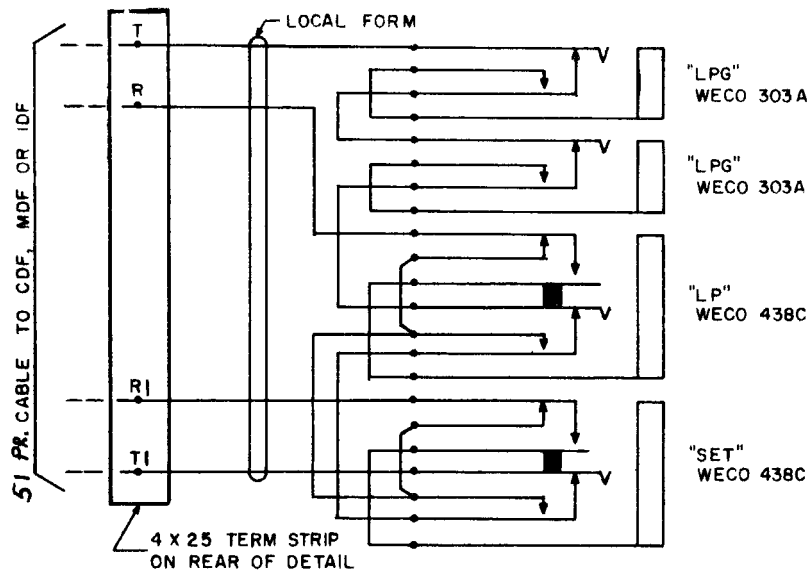


Figure 8

D. C. Detail G

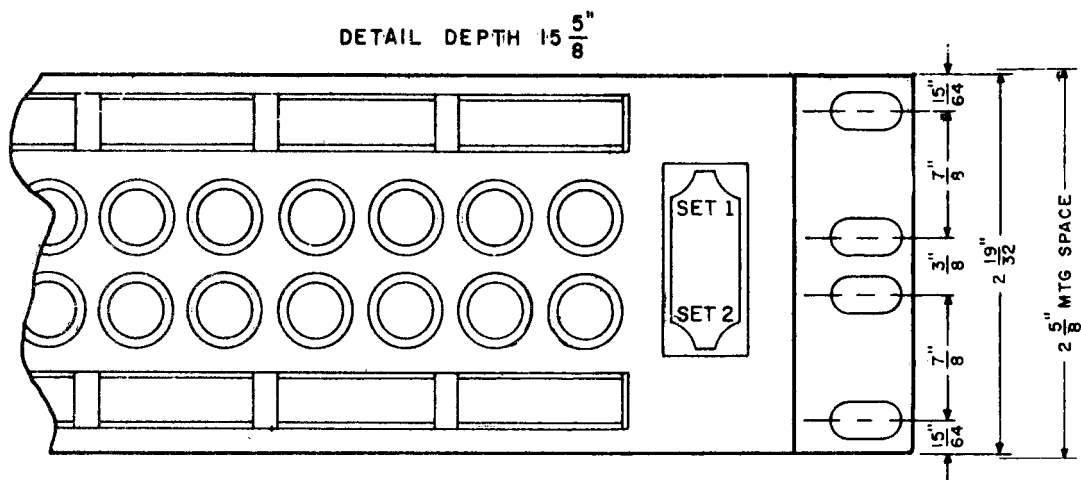
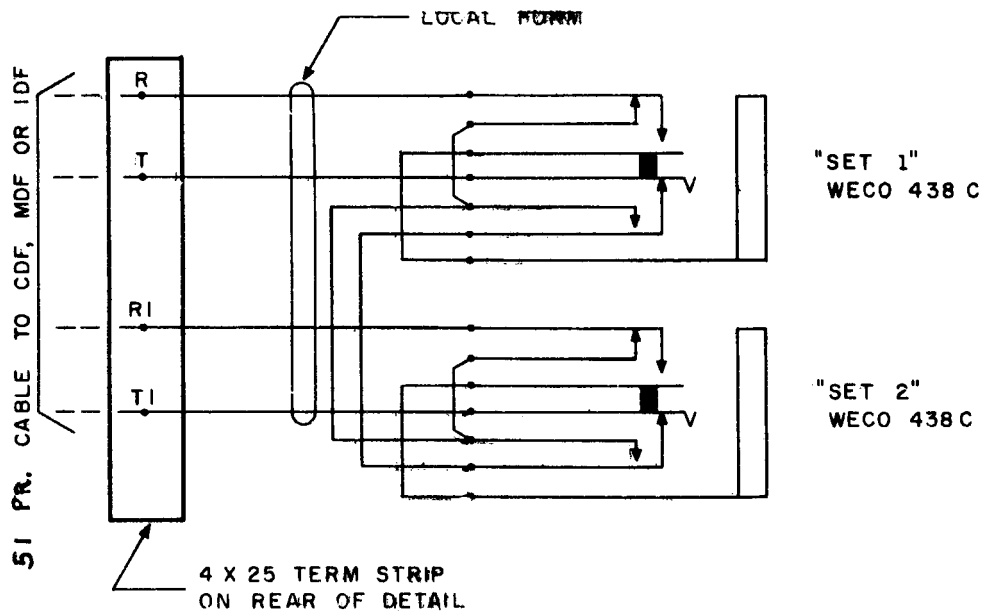


Figure 9

D. C. Detail H

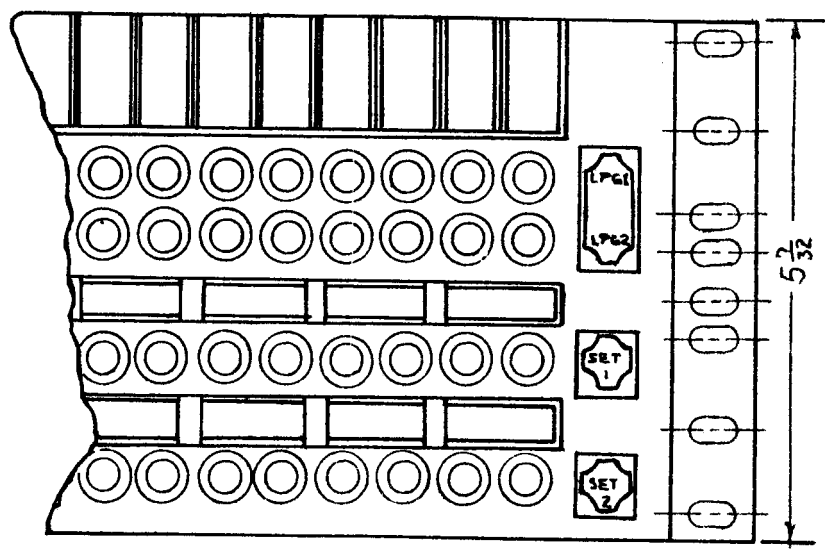
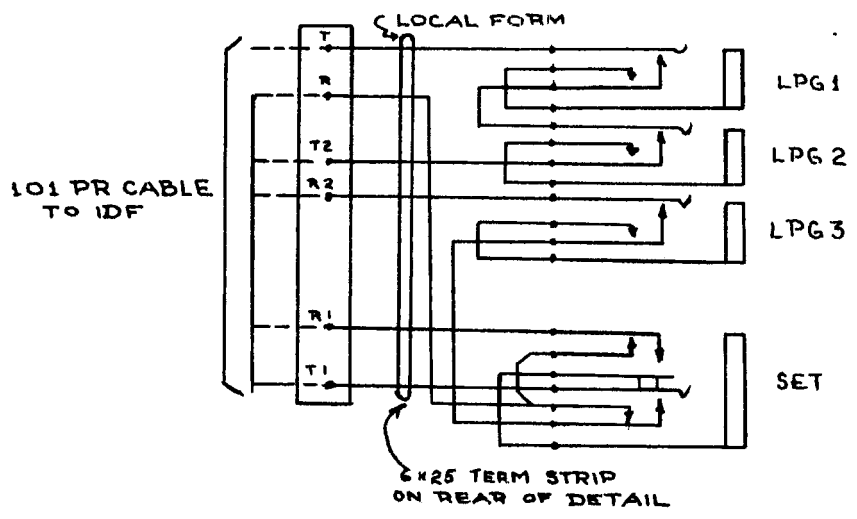
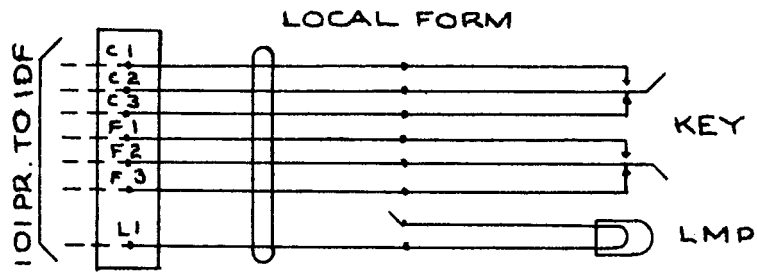
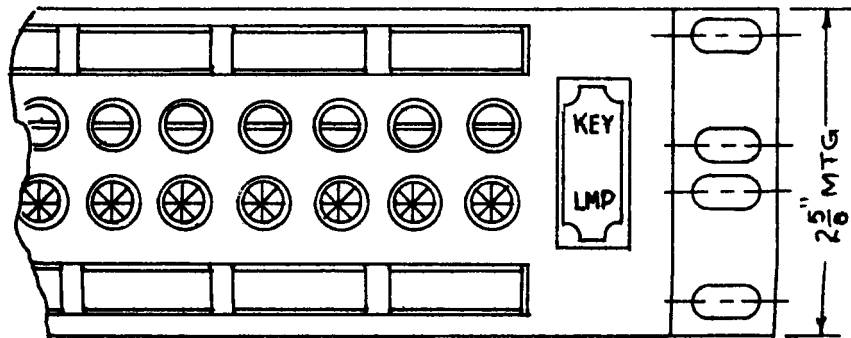


Figure 10

D. C. Detail I



7x25 TERM STRIP ON
REAR OF DETAIL



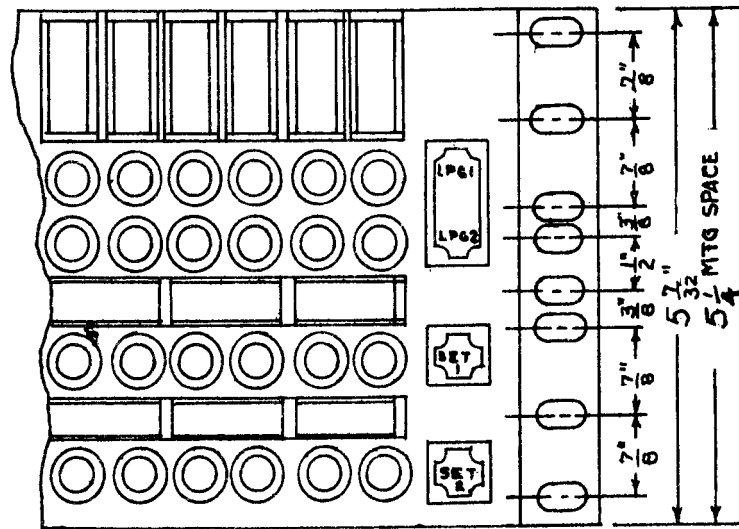
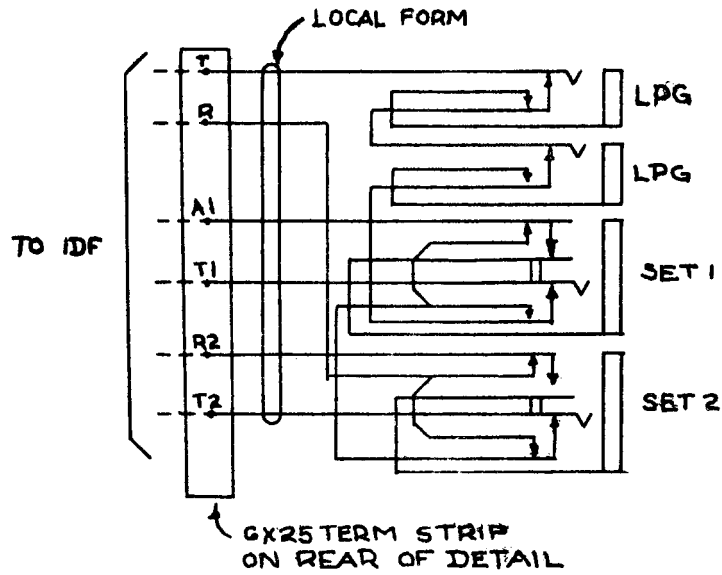


Figure 12

D. C. Detail K

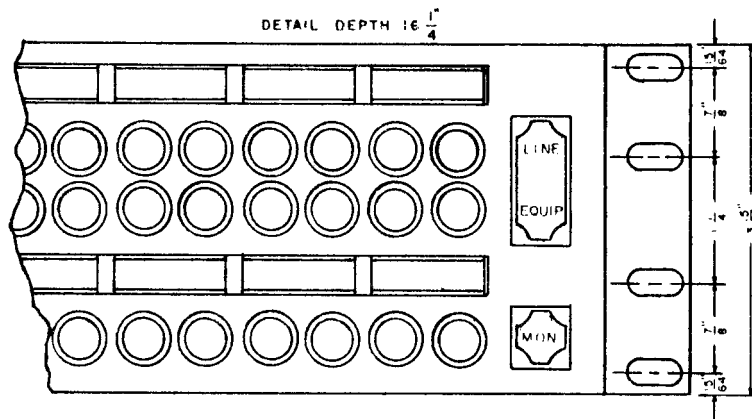
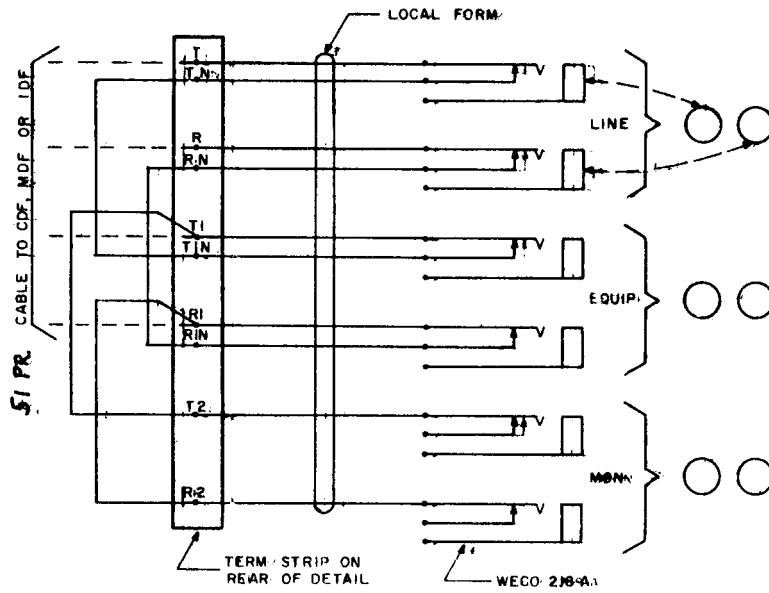


Figure 13

V. F. Detail M

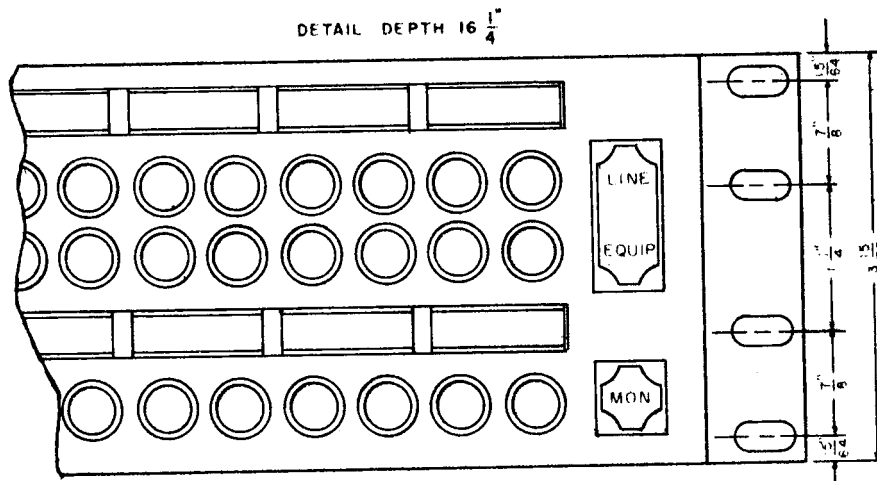
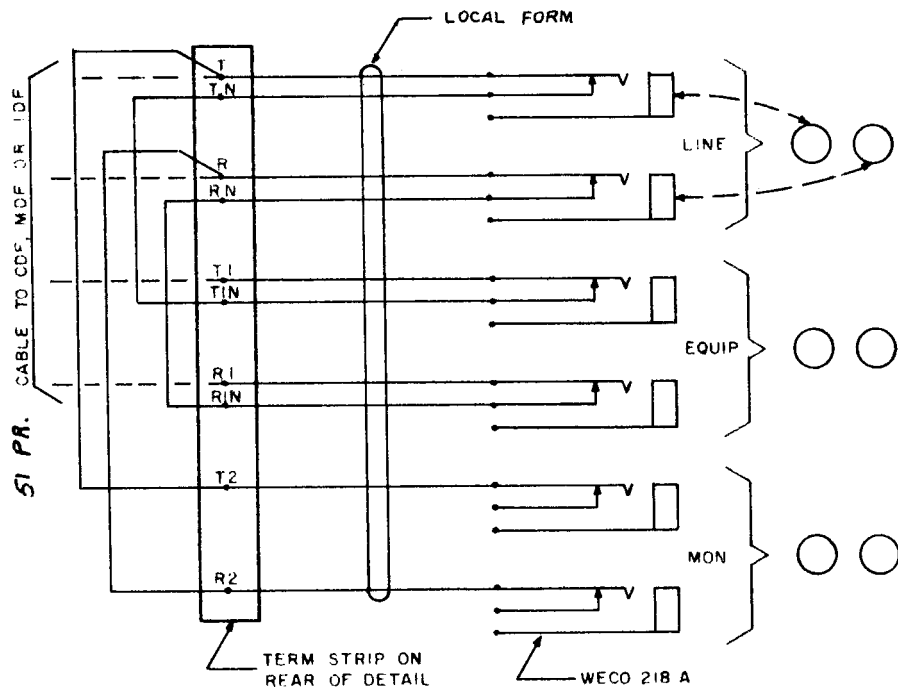
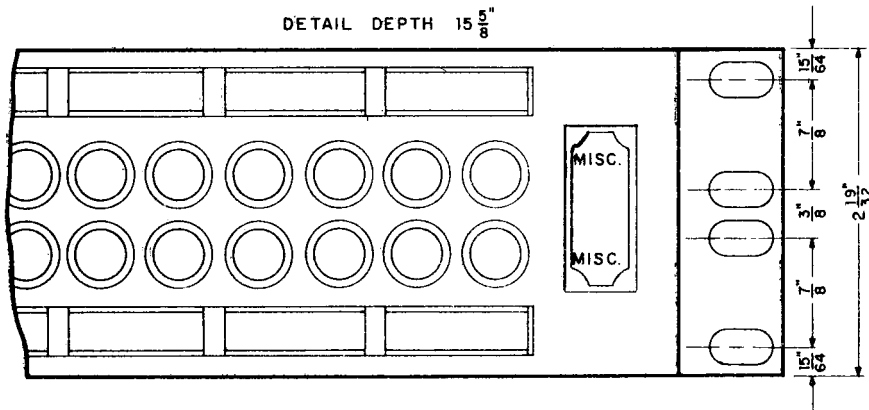
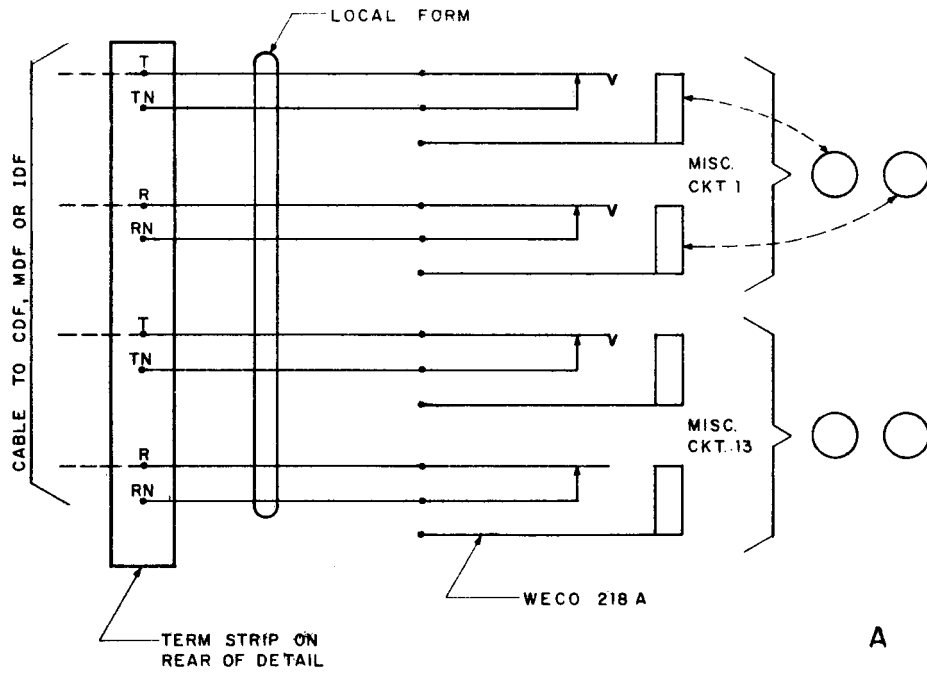


Figure 14

V. F. Detail M



B

Figure 15

V. F. Detail N

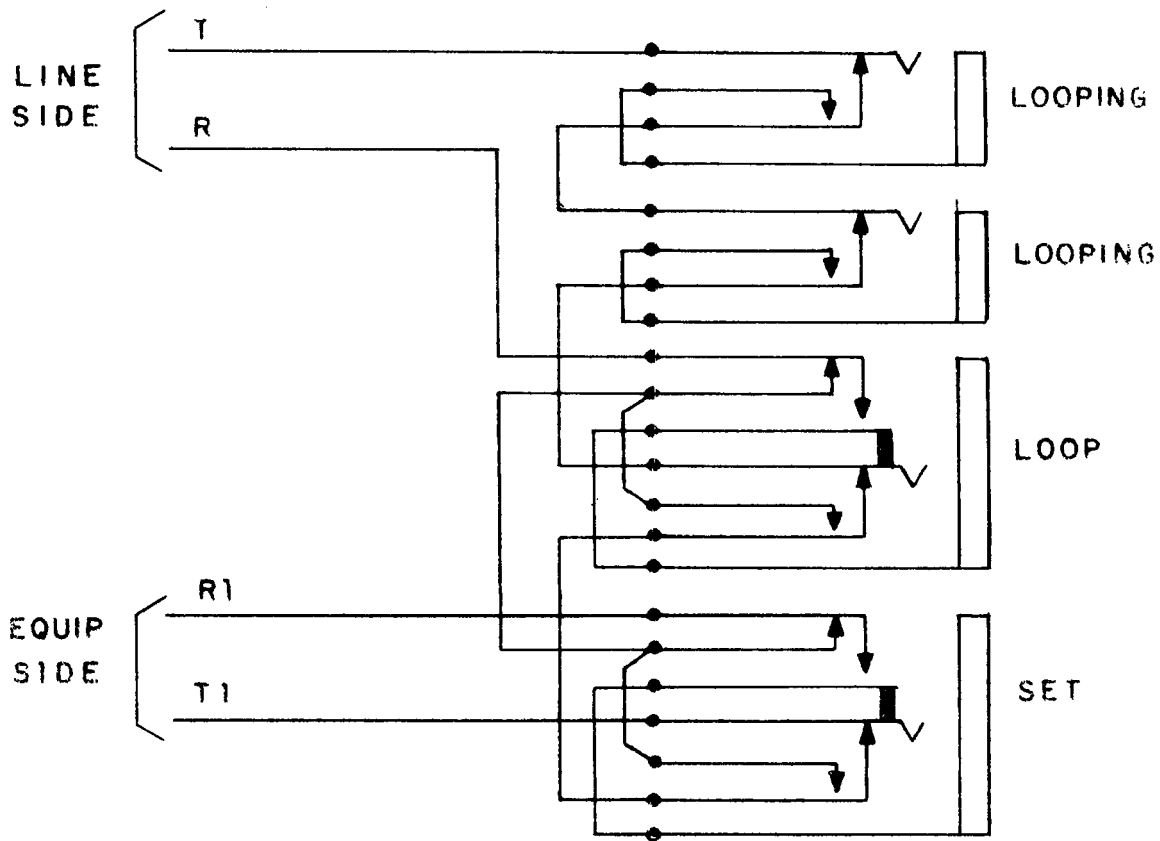


Figure 17

TYPICAL BLACK SEND AND RECEIVE DETAIL "G" (SEE FIG 16)

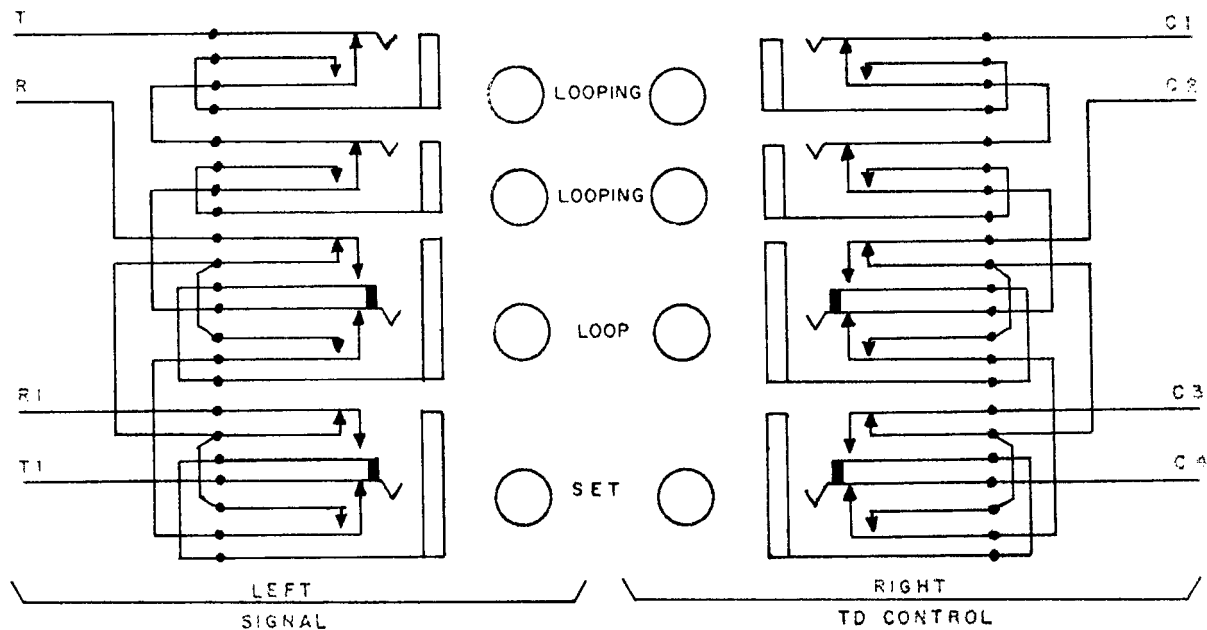


Figure 18
 TYPICAL RED SEND DETAIL "G"
 UTILIZING TWO STANDARD DC JACK DETAILS
 (SEE FIG 16)

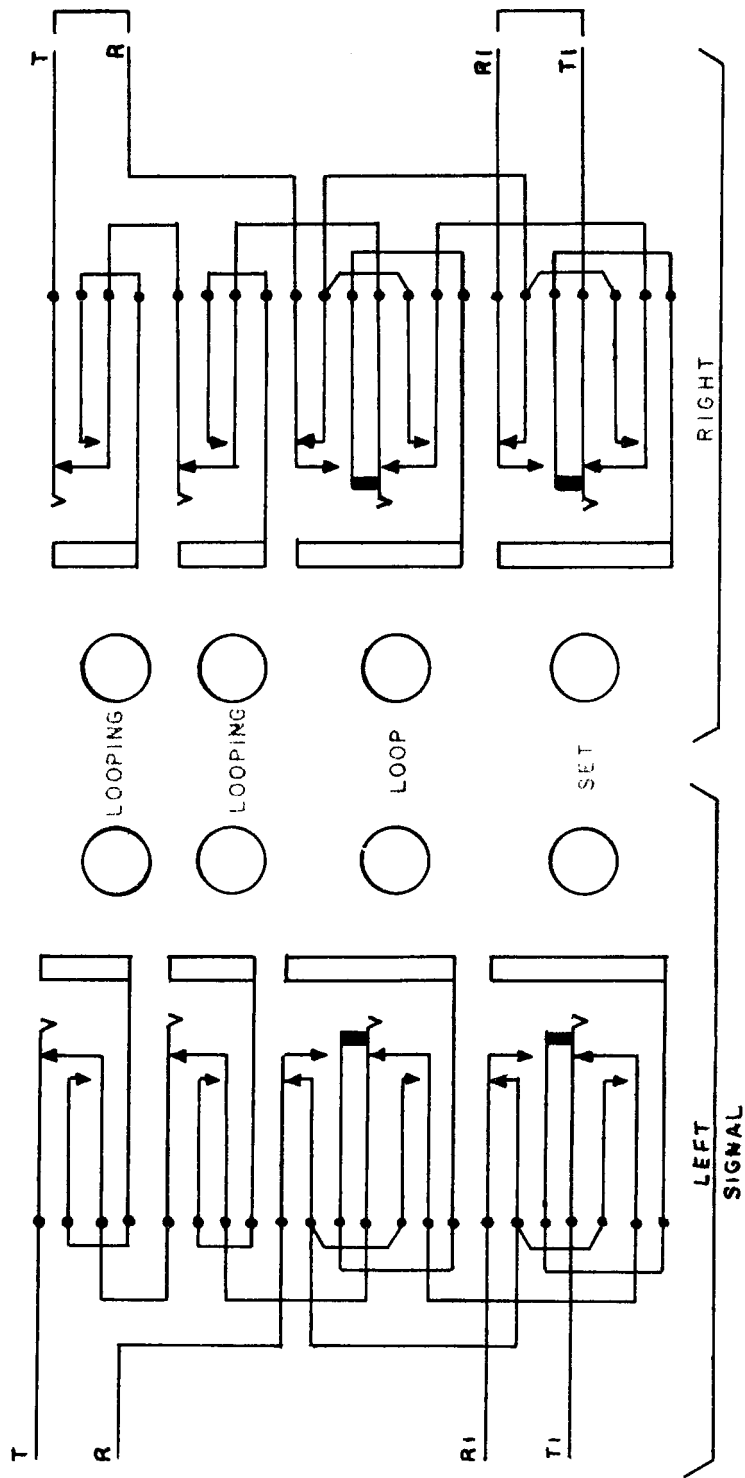


Figure 19
 TYPICAL RED REC DETAIL "G"
 UTILIZING TWO STANDARD DC JACK DETAILS
 (SEE FIG 16)

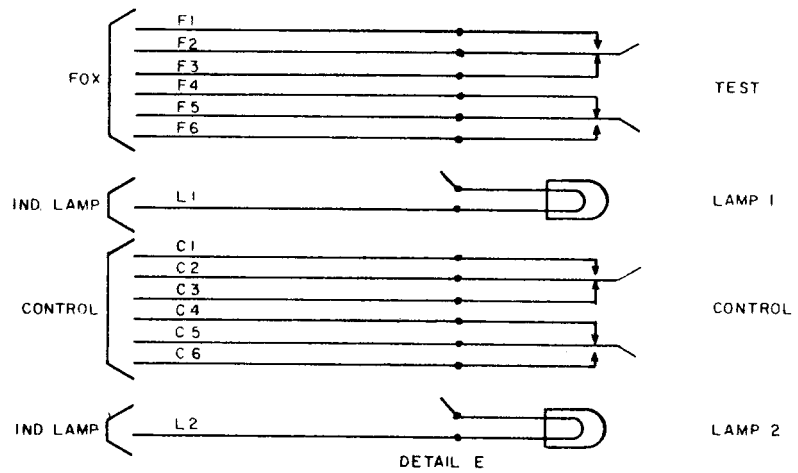
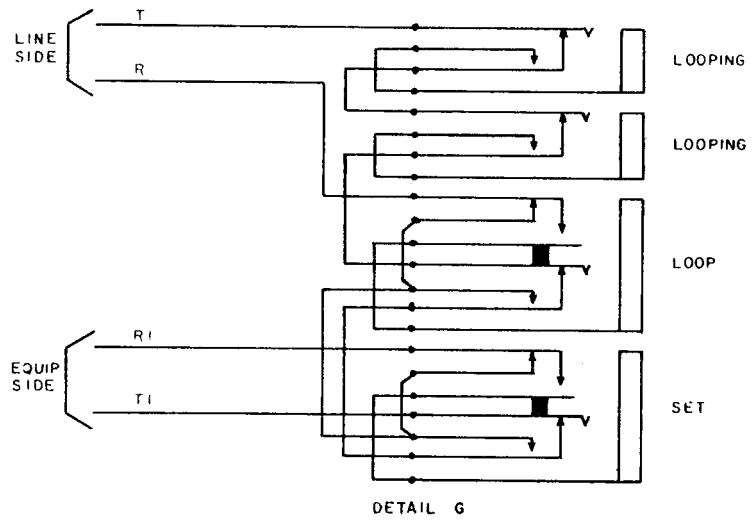


Figure 20

FACILITIES CONTROL SEND DETAIL
 UTILIZING G & E DETAILS
 (SEE FIG 22)

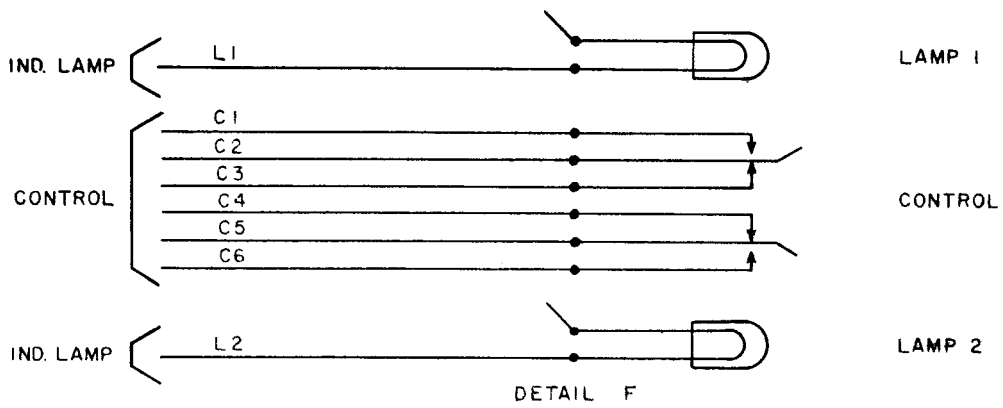
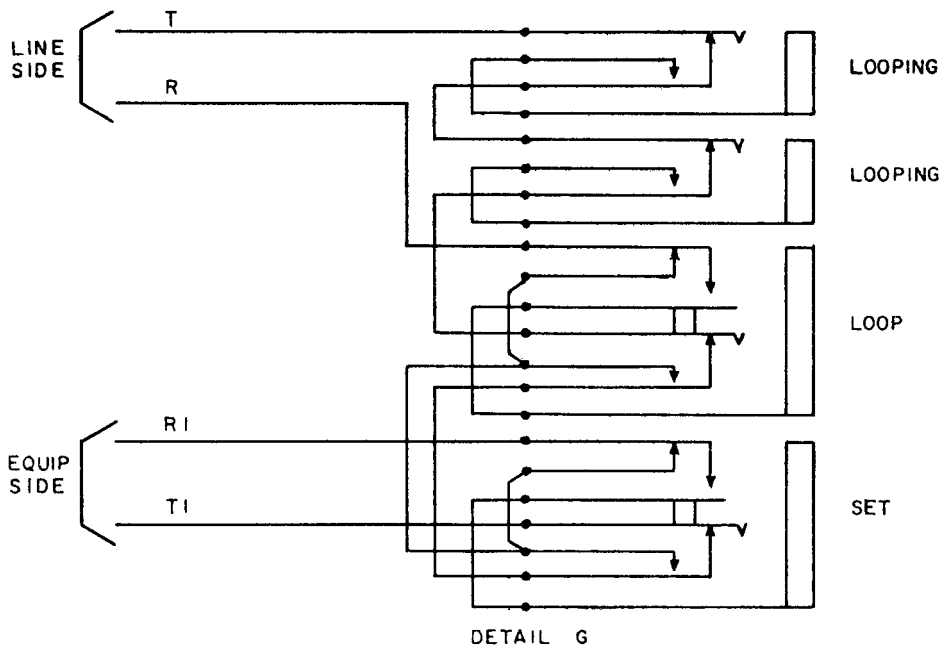


Figure 21
 FACILITIES CONTROL RECEIVE DETAIL
 UTILIZING G & F DETAILS
 (SEE FIG 22)

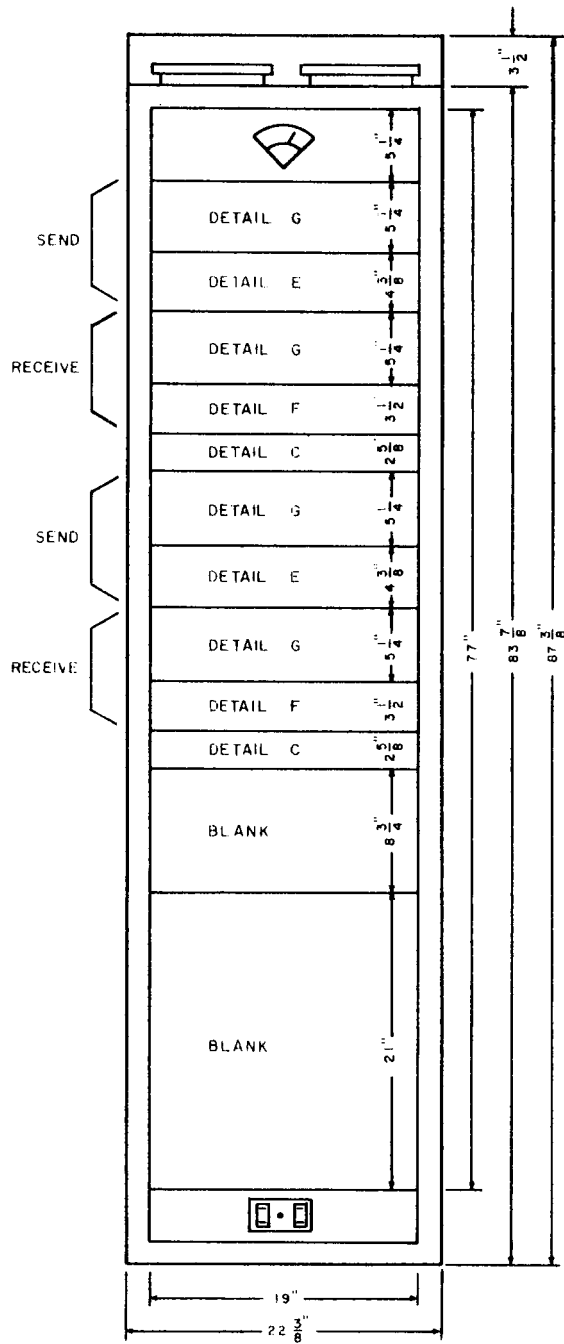


Figure 22

FACILITIES CONTROL BOARD

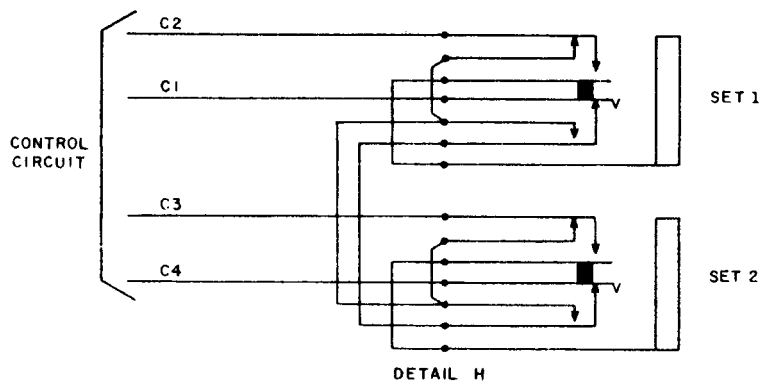
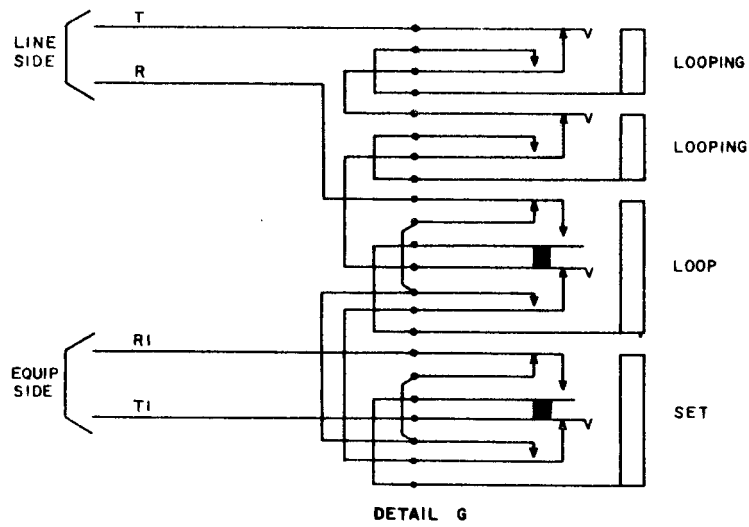


Figure 23

RED SEND OR RECEIVE DETAIL
 UTILIZING G & H JACK DETAILS
 (SEE FIG 24)

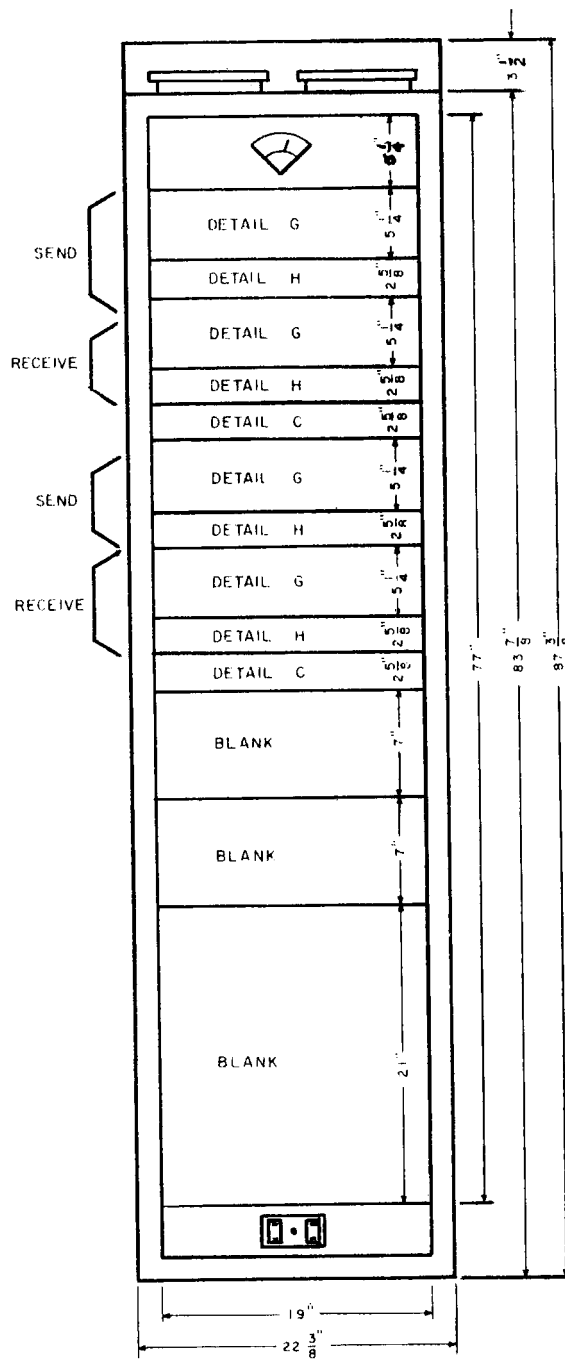


Figure 24

RED TELEGRAPH SWITCHBOARD