

SECTION 5 - FACSIMILE

5.1 AN/UXH-2 GENERAL DESCRIPTION

The AN/UXH-2 is a continuous page facsimile recorder designed to make a succession of direct recordings of weather maps, tactical graphic information, sketches, typewritten, printed, or handwritten data, transmitted over land lines or radio. When receiving from a transmitter which sends the proper control signals, the AN/UXH-2 will operate automatically. The unit will automatically phase, start recording at the beginning of a transmission, stop when the transmission is complete, and compensate for changes in signal level during the recording, thus permitting long periods of unattended operation. The unit can be operated manually when receiving from any transmitter having characteristics compatible with the recorder.

5.2 REFERENCE DATA

- a. Table of Technical Publications - Table 5-1
- b. Primary Power Requirements - Table 5-2
- c. Heat Dissipation - Table 5-3
- d. Unit Weight - Table 5-3

5.3 INSTALLATION REQUIREMENTS

a. Arrangement - The AN/UXH-2 recorder is designed for installation on a shelf type foundation. See Figure 5-1 for typical foundation details. Be sure that there are sufficient clearances for ease of operation and maintenance, and that there is at least 12 inches between the rear of the cabinet and the bulkhead or other equipments to ensure adequate ventilation and to permit the recorded paper to fall freely behind the unit. If the 10 foot long (hose 3" or 3 1/2" dia.) exhaust hose will be used instead of the activated carbon exhaust filter, the equipment should be near an opening in the bulkhead through which the hose can be passed. When the equipment is shipped from the factory, a canister containing activated carbon is mounted on the rear wall of the cabinet to filter the air as it is evacuated from the recording area by the blower unit. If preferred, an extension hose (supplied) may be used instead of the carbon to emit the evacuated air.

b. Outline and Mounting Dimensions - Figure 5-2.

c. Grounding Specifications - All bonding and grounding to be in accordance with Table 5-1, Item No. 2.

5.4 CABLE DIAGRAM AND CONNECTION DETAILS

- a. Elementary Connections - Figure 5-3.
- b. Electronics Installation and Maintenance Standards - To be in accordance with Table 5-1, Item No. 4.
- c. Security Requirements - To be in accordance with Table 5-1, Item No. 6.

5.5 FIELD CHANGE REQUIREMENTS - See Table 5-1 Item No. 4.



ITEM NO.	NAVSIPS NO. DRAWING NO. MIL. STD. NO.	TITLE
1	0967-098-7010 0967-098-7013	Technical Manual for Facsimile Recorder Set AN/UXH-2
2	Mil. Std. 1310A (NAVY)	Shipboard Bonding and Grounding Methods for Electromagnetic Compatibility
3	* RE-D2692394	Outline and Mounting
4	0967-000-0000	Electronics Installation and Maintenance Books
5	0981-052-8090	Data Pertaining to Electrical Shipboard Cable
6	NAVSIPS INST. 05510.33B	Installation Criteria for Shipboard Secure Electrical Information Processing Systems

*These plans are not essential for installation but if available use as reference.

TABLE OF TECHNICAL PUBLICATIONS
TABLE 5-1

FACSIMILE

ORIGINAL

EQUIPMENT	VOLTAGE	CURRENT	POWER	REMARKS
AN/UXH--2	115/230 VAC, 45-65 HZ Single Phase		275 WATTS	

TABLE OF PRIMARY POWER REQUIREMENTS

TABLE 5-2

NAVSHIPS 0967-306-1010

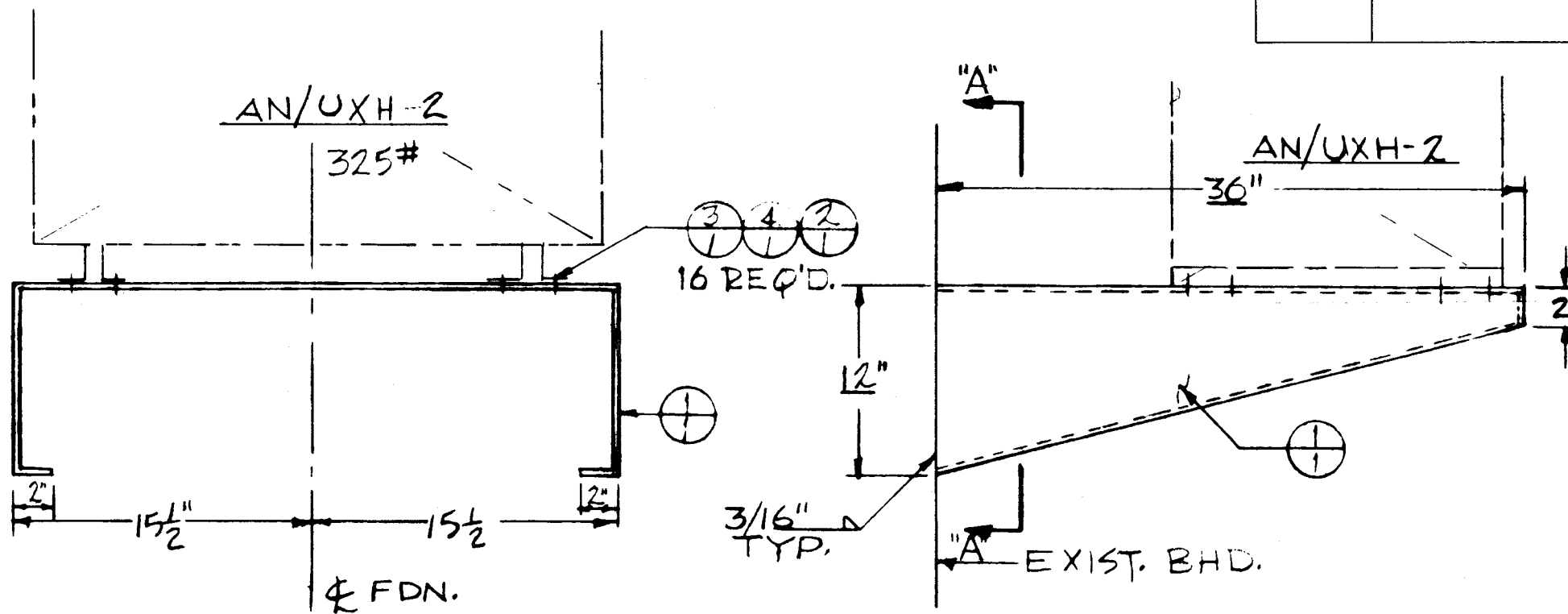
EQUIPMENT	HEAT DISSIPATION	UNIT WEIGHT	REMARKS
AN/UXH--2	275 WATTS	214 LBS.	

TABLE OF MISC. DATA

TABLE 5-3

TABLE 5-2/5-3

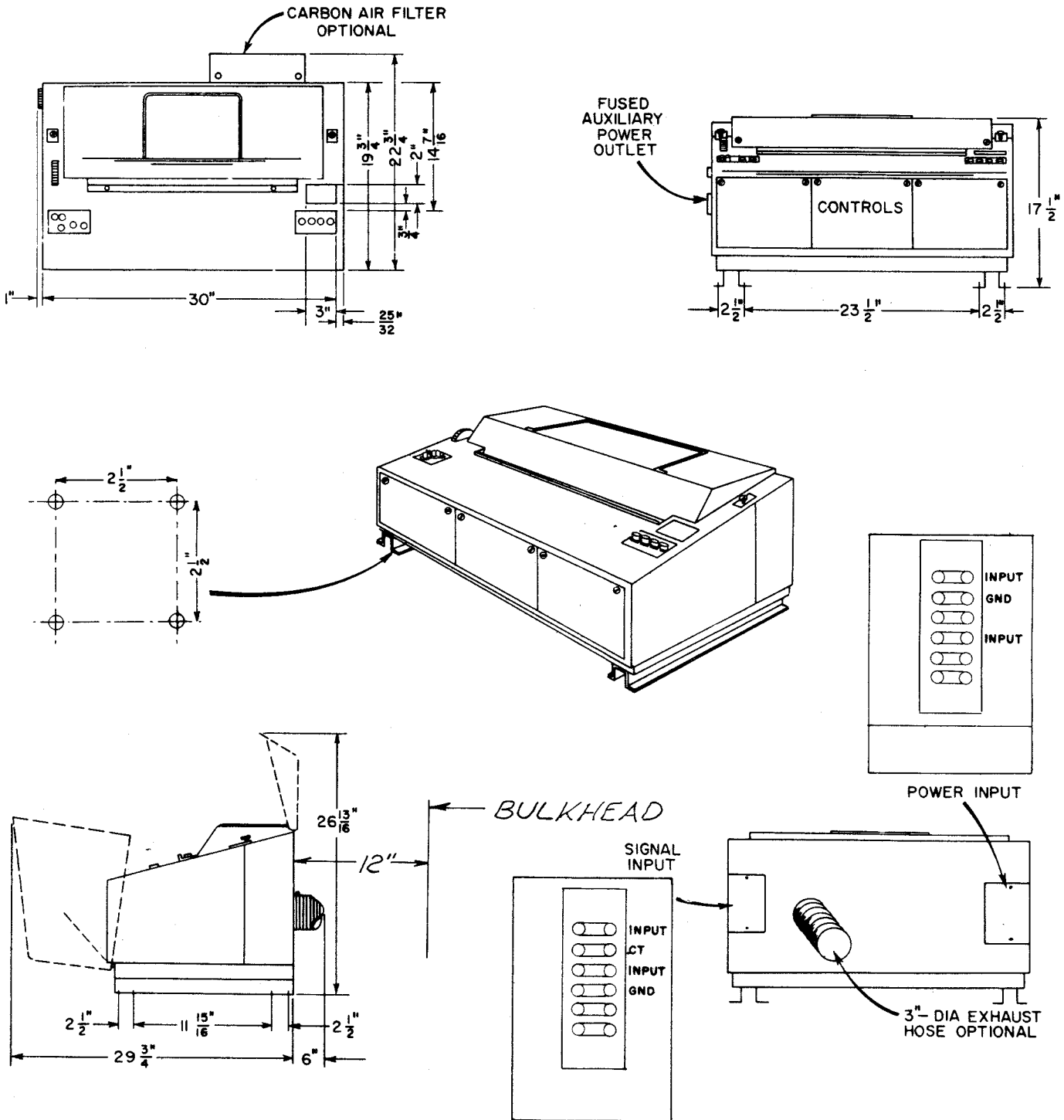
LIST OF MATERIAL - QUANTITIES FOR ONE FOUNDATION				
PIECE NO.	NAME	NO. REQ'D	MATERIAL	FEDERAL STOCK NO.
1	7.65 #Plt.	1	M.S.	9515-237-5333
2	Bolt	16	M.S.	
3	NUT	16	M.S.	
4.	Washer	16	M.S.	
1	1/4" Plt.	1	ALUM.	9535-542-2643



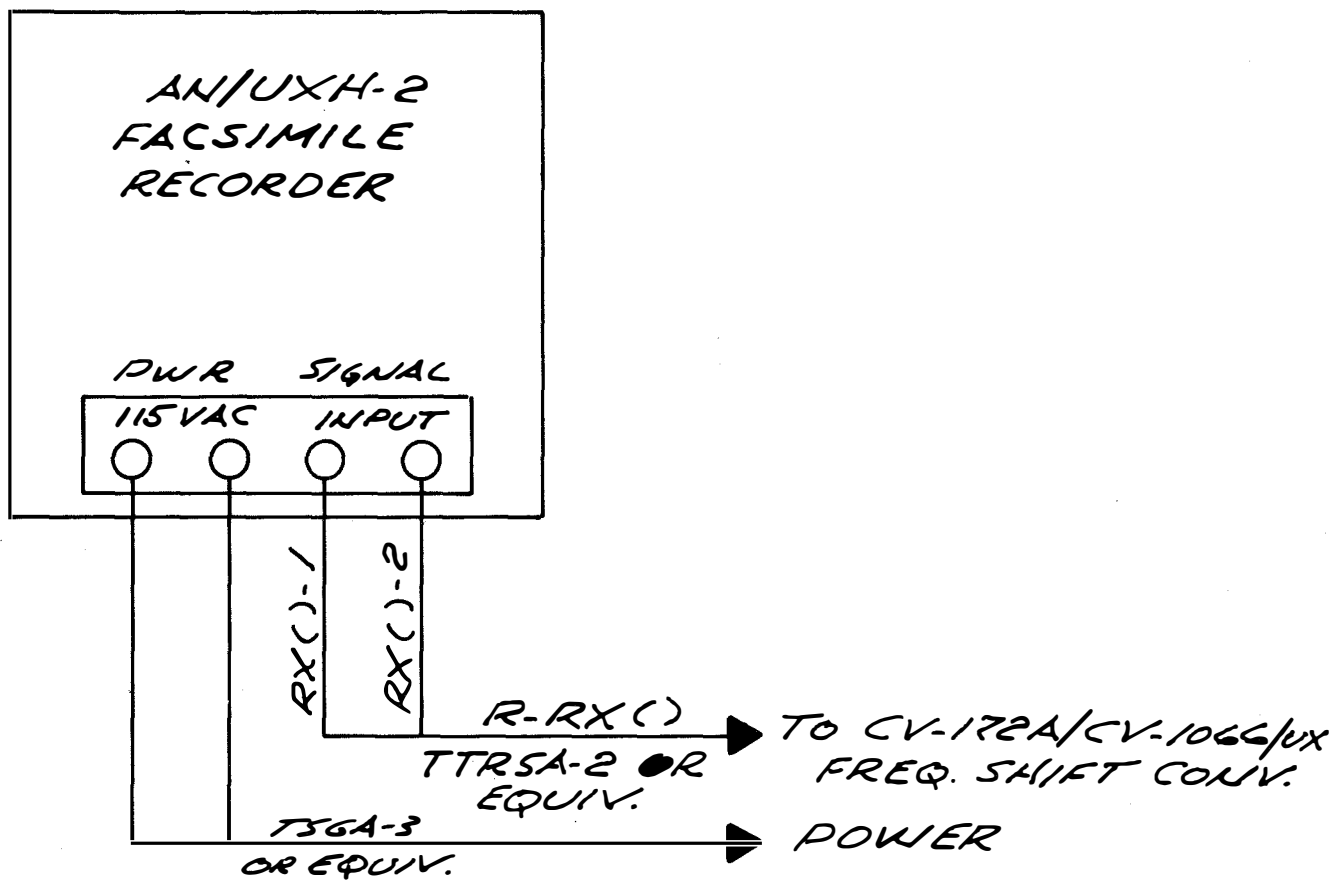
FRONT ELEV.-"A-A"
SCALE - 1/2" = 1'-0"

SIDE ELEVATION
SCALE - 1/2" = 1'-0"

AN/UXH-2
TYPICAL FOUNDATION DETAILS
FIGURE 5-1



**AN/UXH-2
OUTLINE AND MOUNTING DIMENSIONS
FIGURE 5-2**



**AN/UXH-2
FACSIMILE RECORDER
CABLE DIAGRAM
FIGURE 5-3**

