

BULLETIN NO. 1012
ISSUE 2
SEPTEMBER, 1931

TELETYPE

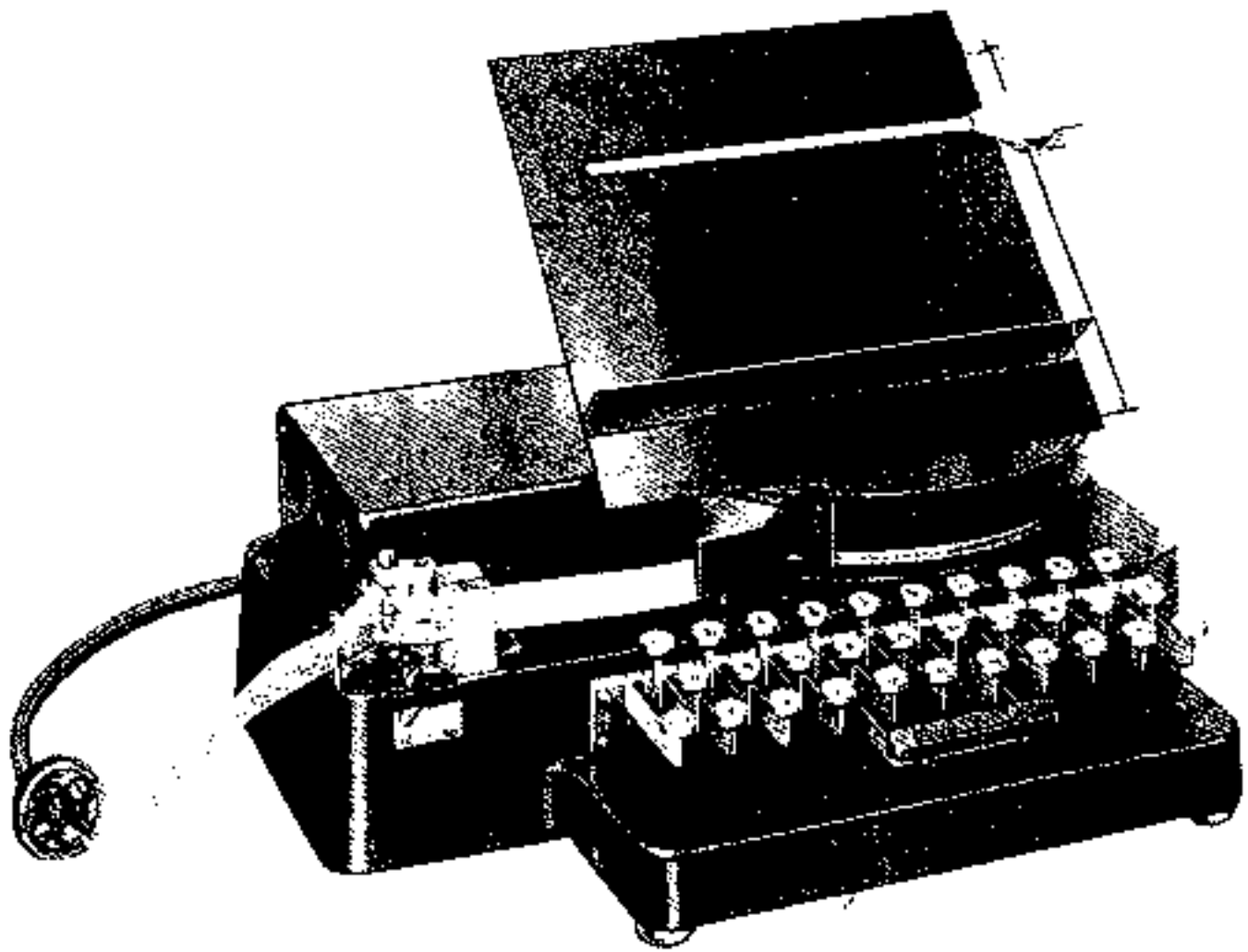
PRINTING TELEGRAPH SYSTEMS

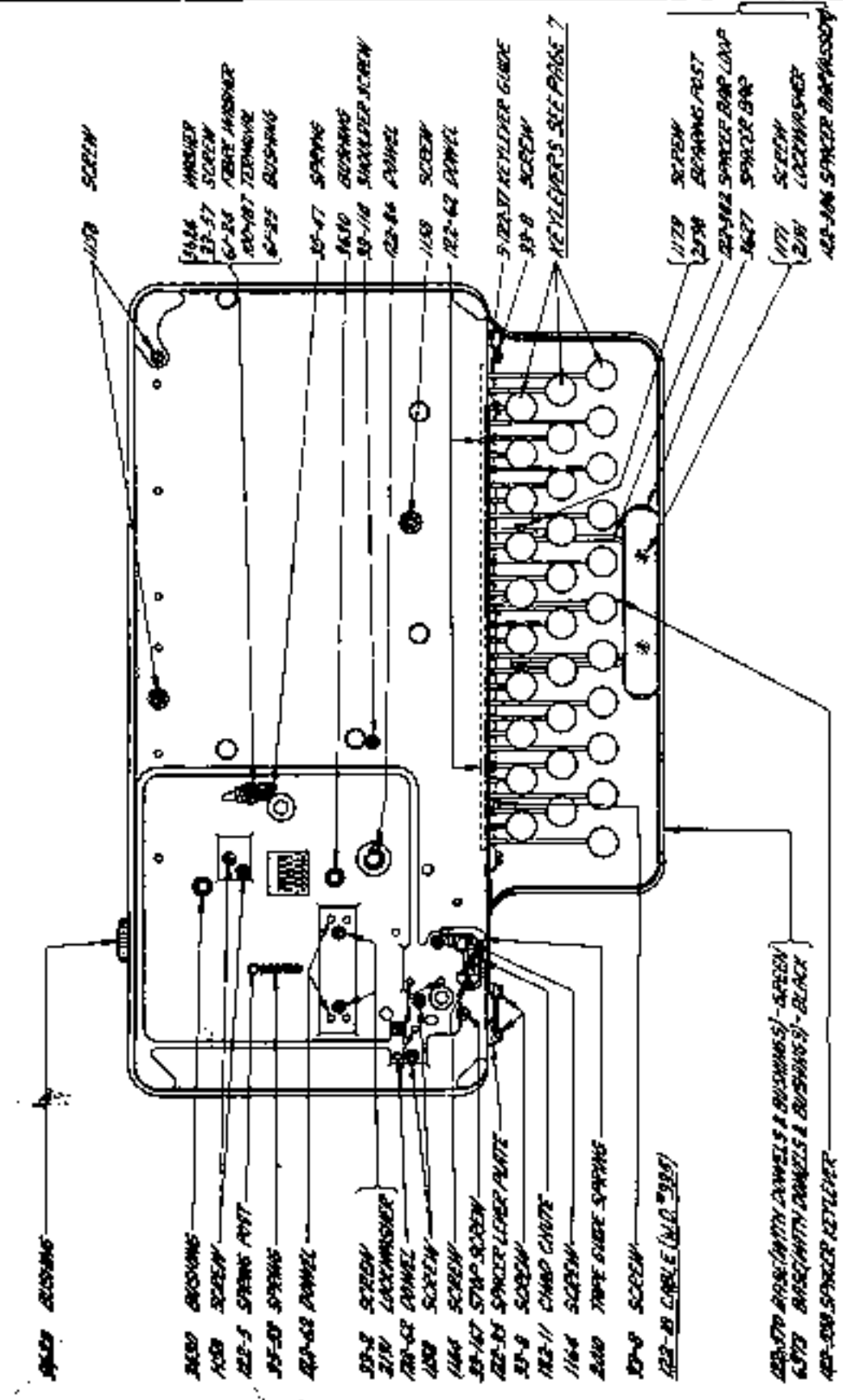
Historical Reference only.
Replaced by Bulletin 1093
March 1941

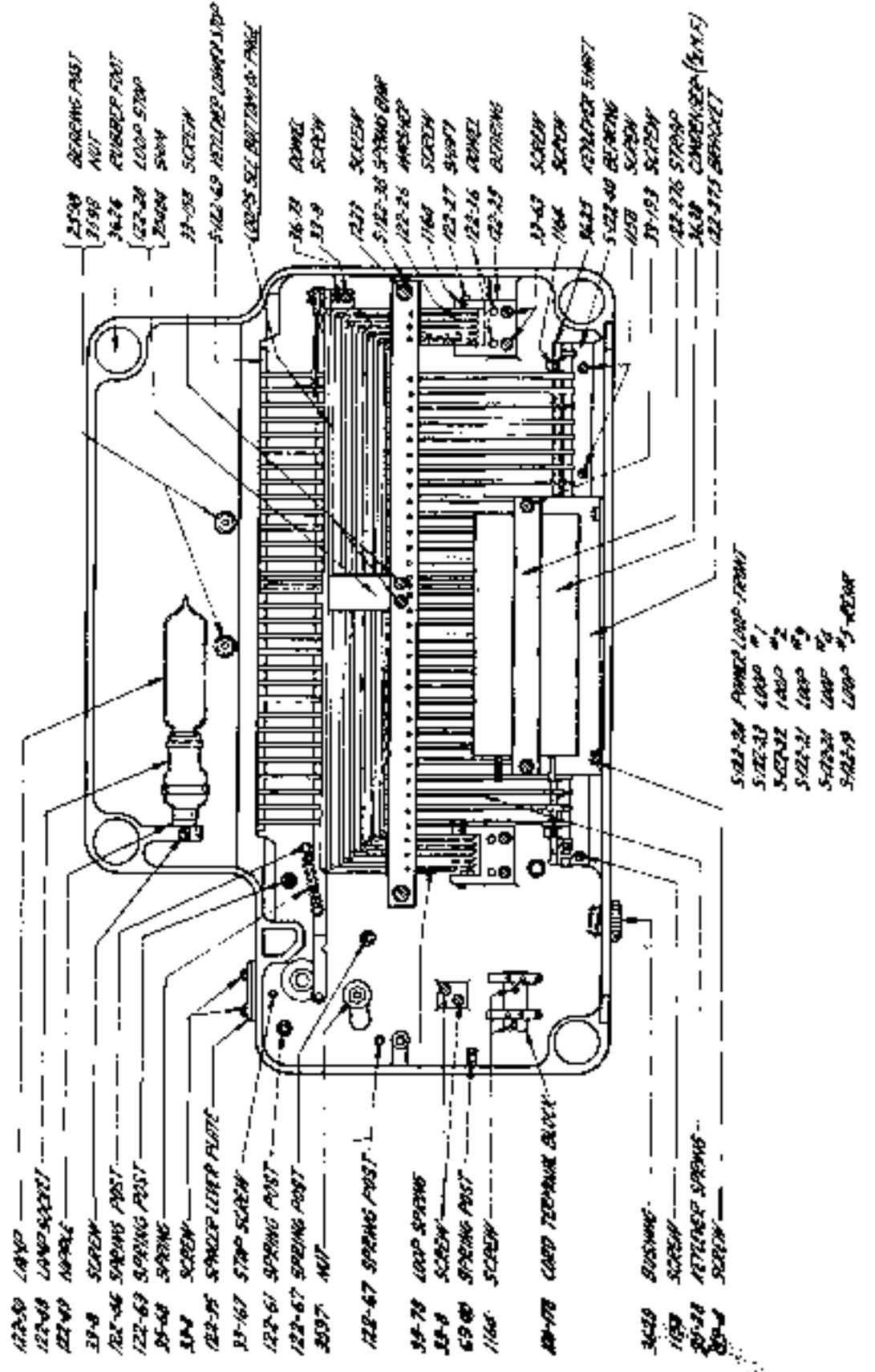
PERFORATOR PARTS
BLACK & GREEN

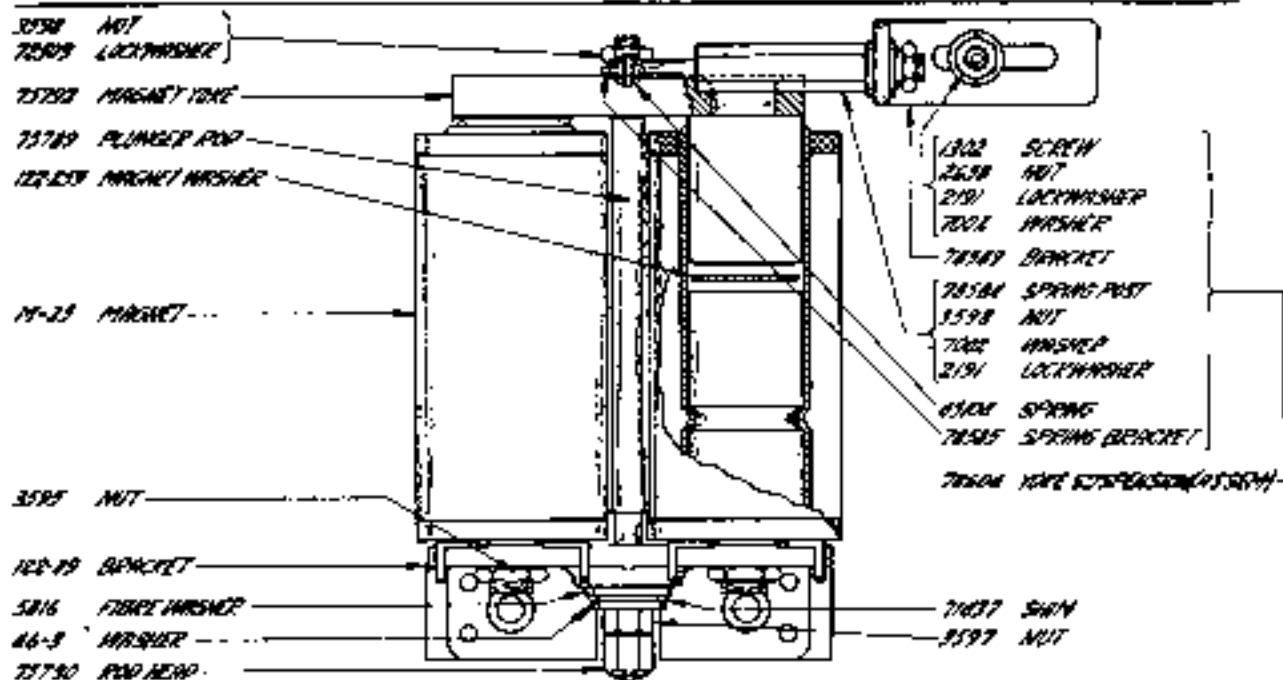


PRINTED IN U.S.A.

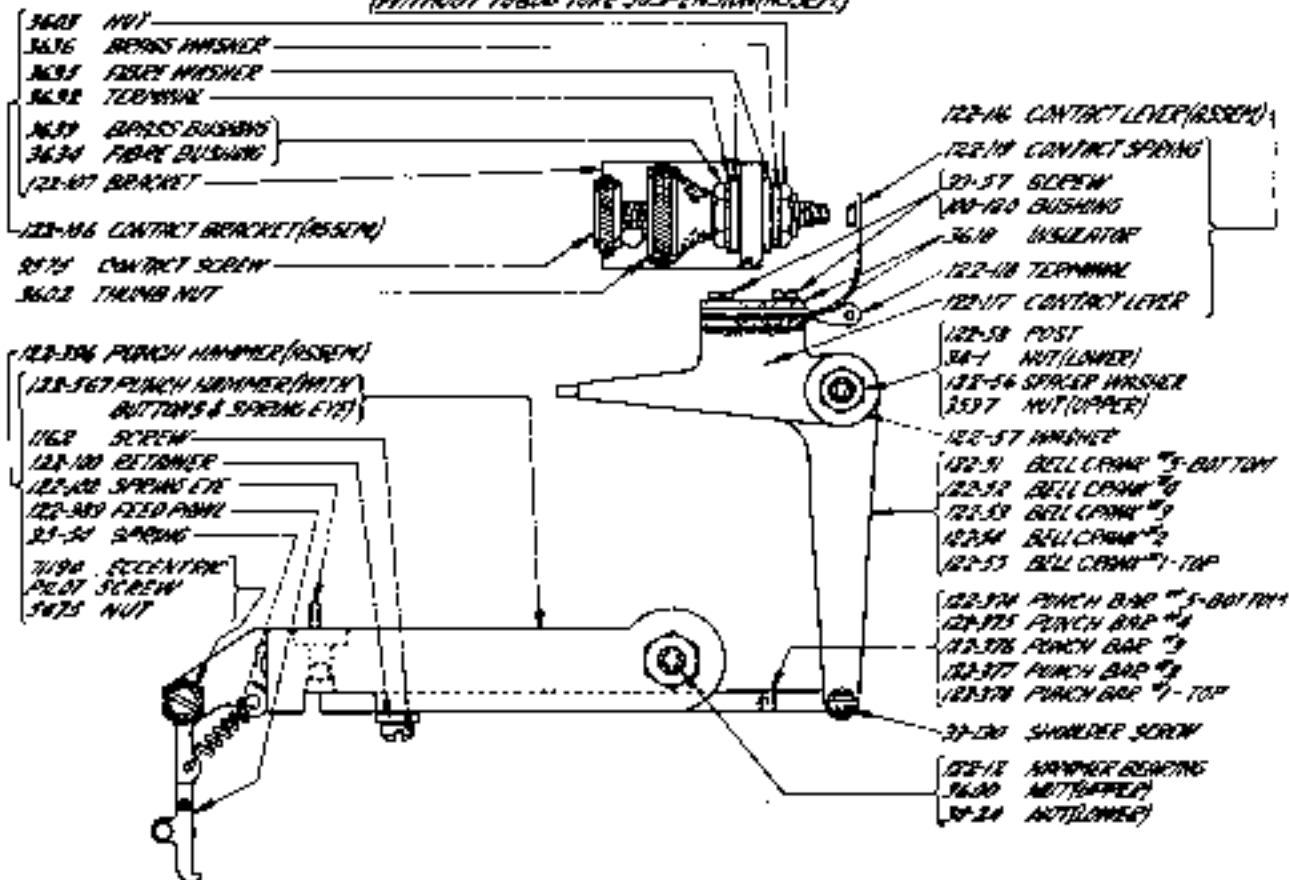


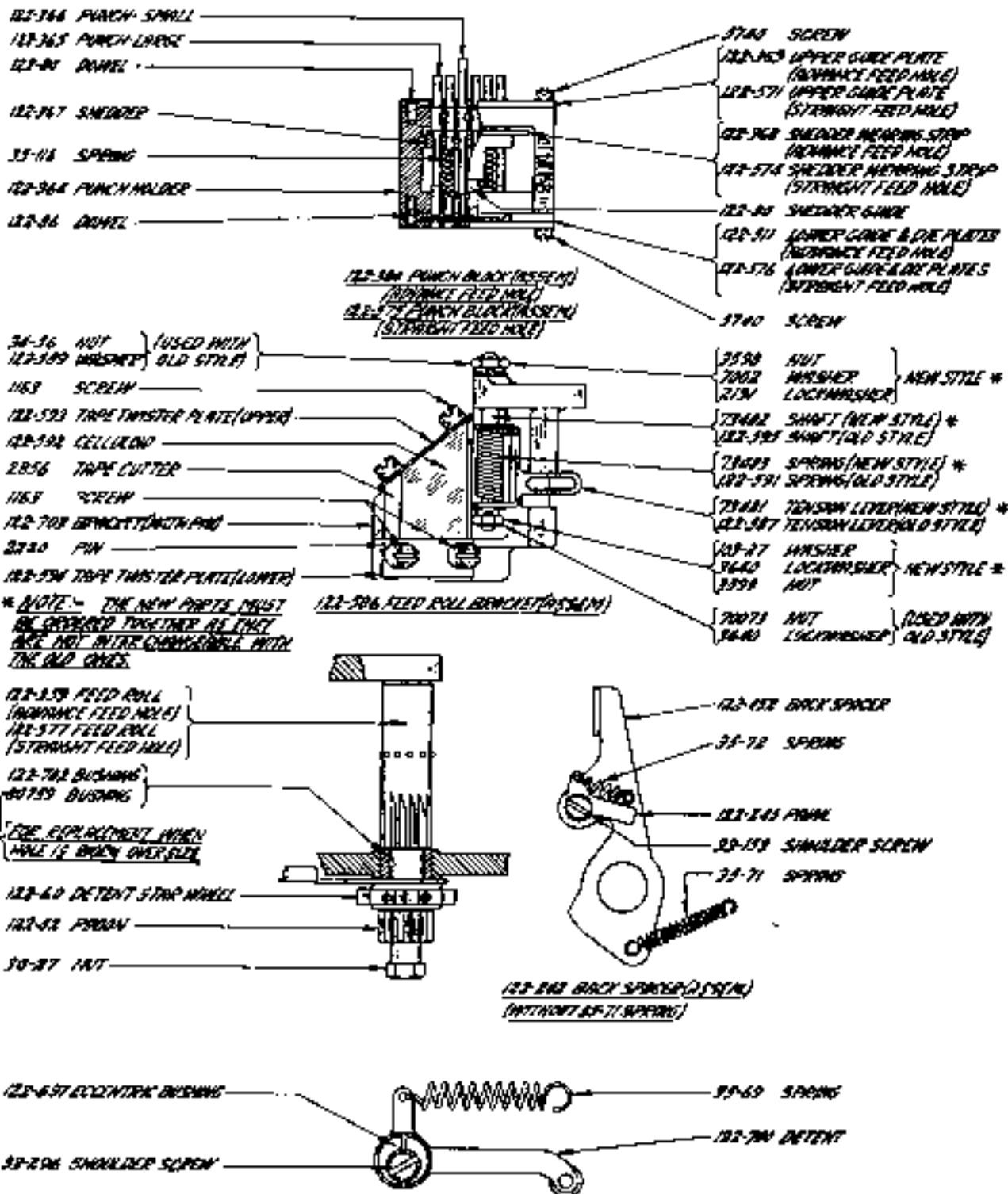


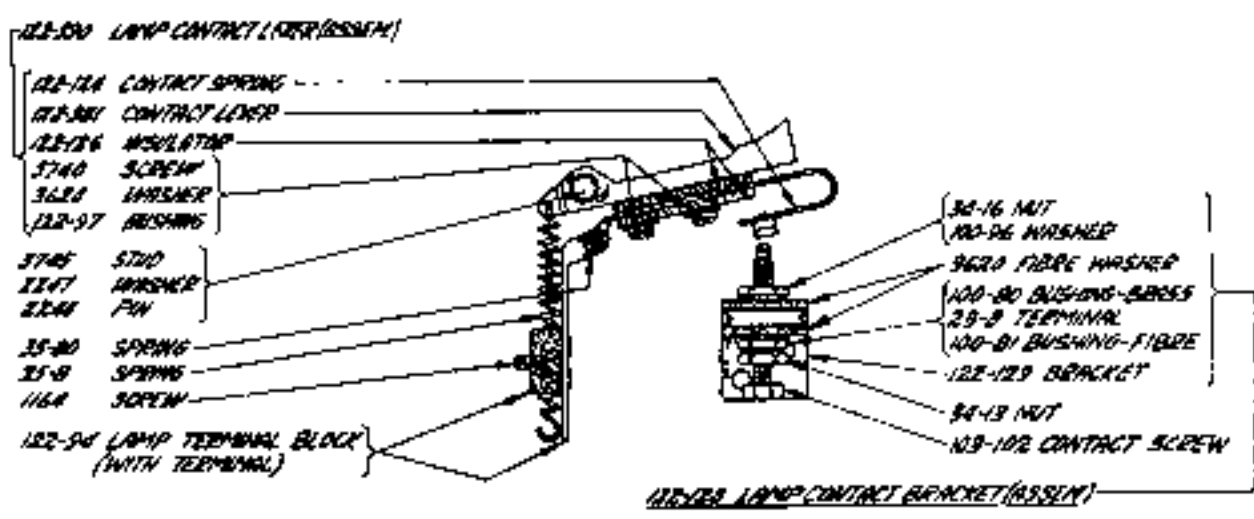
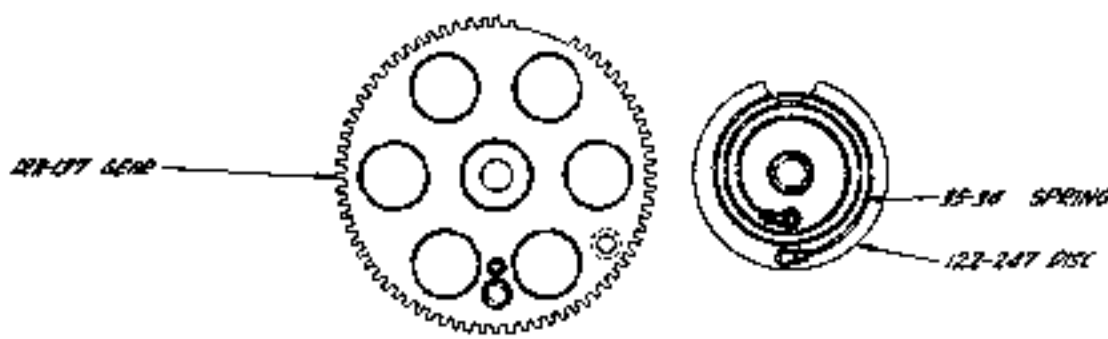
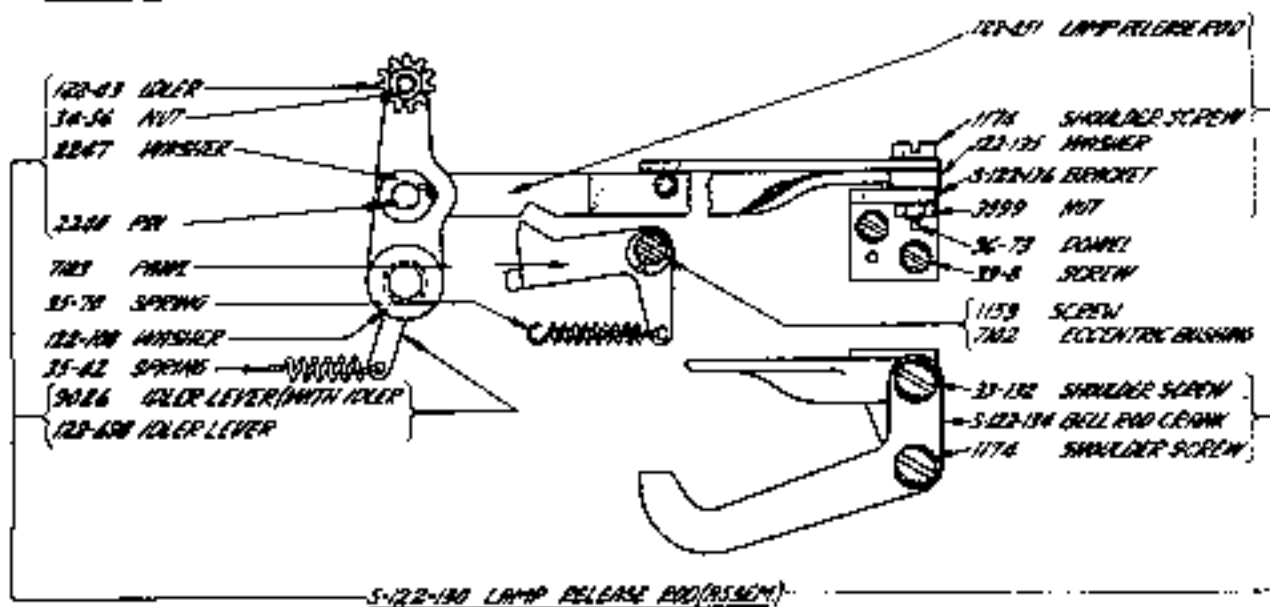


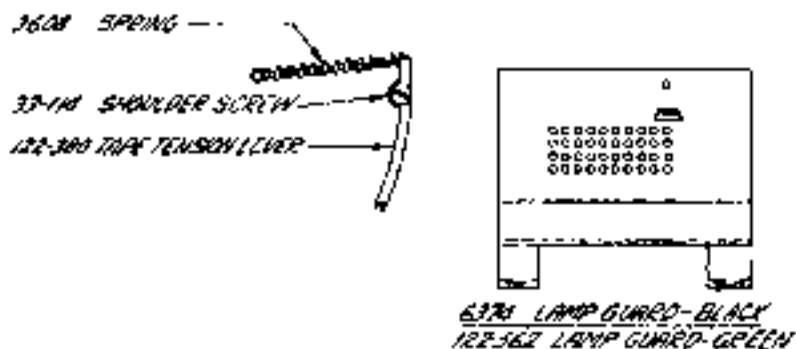
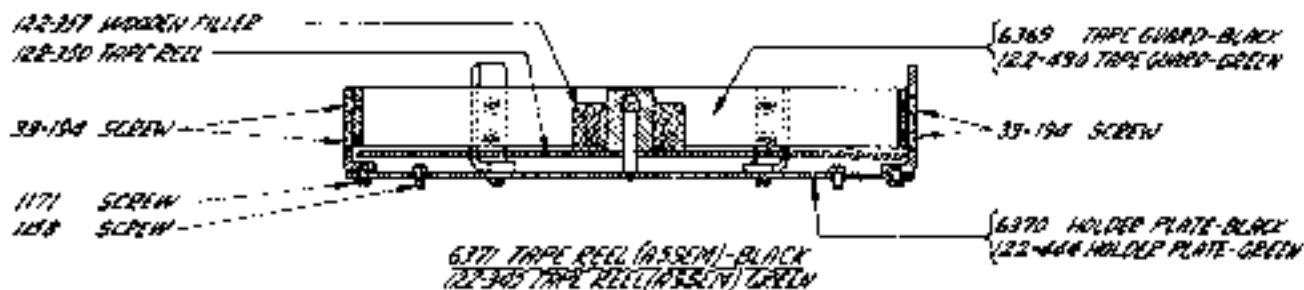
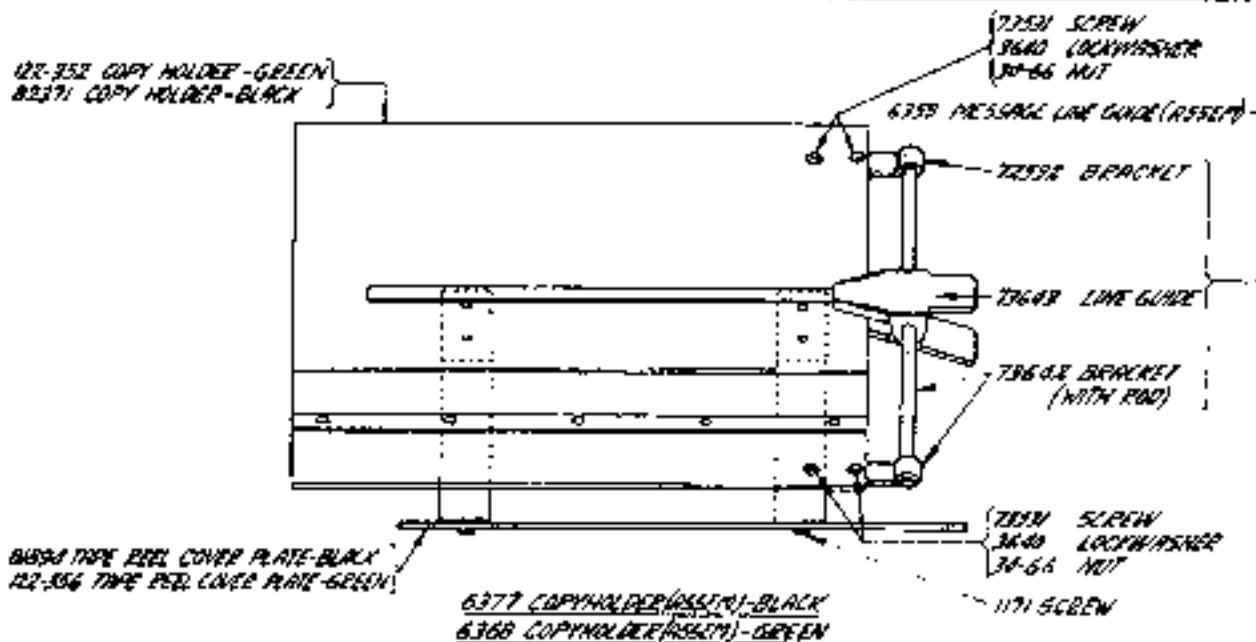


122-68 PUNCH MAGNET BRACKET (ASSEM)
(WITHOUT 78604 YOKE SUSPENSION (ASSEM))



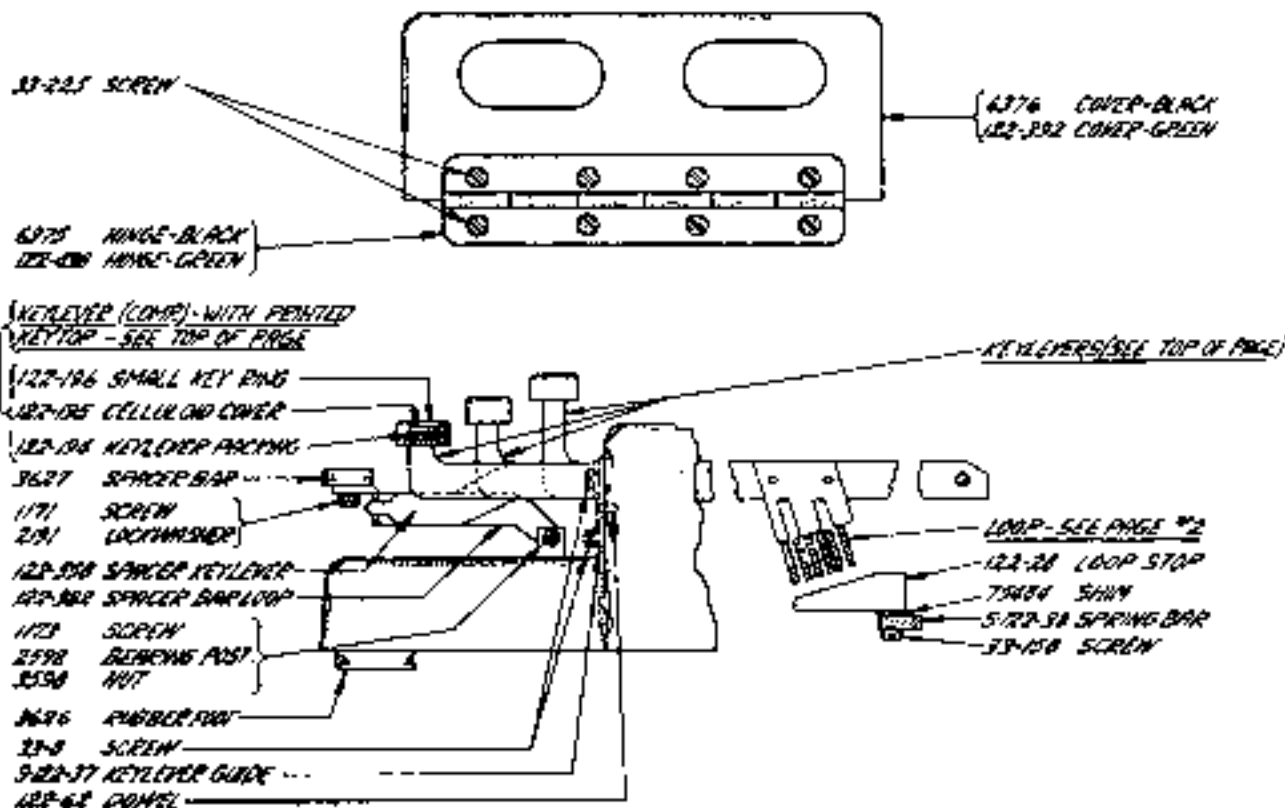






KEYTOP DISCRIPTION	PRINTED KEYTOP ORIGINOS NUMBER	KEYLEVER	KEYLEVER COMP WITH PRINTED KEYTOP
A -	122-459	122-596	122-528
B 7	122-460	122-597	122-529
B 7b	75801	122-597	81910
C 5	122-461	122-598	122-530
C 9	75799	122-598	81911
D 8	122-462	122-599	122-531
E 3	122-463	122-600	122-532
F 4/11	122-464	122-601	122-533
F 4	462-704	122-601	81912
F 1	122-501	122-601	81919
F 4	75795	122-601	81918
G 8	122-465	122-602	122-534
H 6	122-466	122-603	122-535
H 4	75796	122-603	81919
I 6	122-467	122-604	122-536
J 8/4	122-468	122-605	122-537
J 9	122-532	122-605	81920
K 1	122-469	122-606	122-538
K 5	75797	122-606	81920
L 1	122-470	122-607	122-539
L 2b	75798	122-607	81914
M 1	122-471	122-608	122-540
M 7b	122-707	122-608	81921
M 7	80365	122-608	81922
N 7	122-472	122-609	122-541
N 7	22-706	122-609	81923
N 7b	75802	122-609	81916
O - 5	122-473	122-610	122-542

KEYTOP DISCRIPTION	PRINTED KEYTOP ORIGINOS NUMBER	KEYLEVER	KEYLEVER COMP WITH PRINTED KEYTOP
P 0	122-474	122-611	122-543
Q 1	122-475	122-612	122-544
R 4	122-476	122-613	122-545
R 7/9	122-477	122-613	122-546
S 3/6	122-500	122-614	81924
S 7	22-716	122-614	81925
S 7	122-708	122-614	81926
S 8/11	122-710	122-614	81927
T 5	122-478	122-615	122-547
U 7	122-479	122-616	122-548
V 1	122-480	122-617	122-549
V 4	75800	122-617	81917
W 3	122-481	122-618	122-550
X 1	122-482	122-619	122-551
Y 6	122-483	122-620	122-552
Z 7	122-484	122-621	122-553
Z 4	122-705	122-621	81928
- 1	122-504	122-622	81929
- 2	75792	122-623	81930
- 3	80385	122-623	81931
- 4	80387	122-623	81932
- 5	80382	122-624	81933
- 6	75793	122-624	81934
BLANK	122-485	122-625	122-554
CR. KEY	122-486	122-626	122-555
122-102	122-475	122-627	122-556
1165	122-472	122-625	122-557
1125	122-473	122-626	122-559



NUMERICAL INDEX

122-2	Terminal, 5	122-52	Dowel, 1, 7	122-454	Overlay, 6
122-3	1-1/2x3/4 Screw, 1	122-53	Spring Foot, 2	122-455	Keylever (A . . .) 7
122-4	1-1/2x1/4 Screw, 2	122-54	Spring Foot, 2	122-456	Keylever (B . . .) 7
122-5	1-1/2x1/4 Screw, 1, 2, 3, 7	122-55	Keylever Lower Stop, 2	122-457	Keylever (C . . .) 7
122-6	1/4 Shoulder Screw, 5	122-56	Knocker Guide, 4	122-458	Keylever (D . . .) 7
122-7	2-5/8x7/32 Screw, 1, 3	122-57	Dowel, 4	122-459	Keylever (E . . .) 7
122-8	6-3/4x1/2 Screw, 2	122-58	Dowel, 1, 4	122-460	Keylever (F City) 7
122-9	1-3/8 Shoulder Screw, 1, 6	122-59	Punch Magnet Bracket	122-461	Keylever (G . . .) 7
122-10	1-7/8 Shoulder Screw, 3	122-60	(Assm.), 5	122-462	Keylever (H . . .) 7
122-11	1/4 Shoulder Screw, 3	122-61	Bracket, 3	122-463	Keylever (I . . .) 7
122-12	3-4/8 Shoulder Screw, 4	122-62	Lamp Terminal Block	122-464	Keylever (J . . .) 7
122-13	3-40x1/2 Screw, 2, 7	122-63	(With Terminal), 5	122-465	Keylever (K . . .) 7
122-14	Stop Screw, 1, 2	122-64	Bushing, 3	122-466	Keylever (L . . .) 7
122-15	6-3/4x1/2 Screw, 2	122-65	Retainer, 3	122-467	Keylever (M . . .) 7
122-16	Screw, 6	122-66	Spring Eye, 3	122-468	Keylever (N . . .) 7
122-17	5-3/8x3/16 Screw, 7	122-67	Contact Bracket	122-469	Keylever (O . . .) 7
122-18	5-40 Shoulder Screw, 4	122-68	(Assm.), 3	122-470	Keylever (P . . .) 7
122-19	1/4-32 Hex. Nut, 3	122-69	Bracket, 3	122-471	Keylever (Q . . .) 7
122-20	1-5/8 Hex. Nut, 1	122-70	Washer, 5	122-472	Keylever (R . . .) 7
122-21	5-3/8-60 Hex. Nut, 5	122-71	Contact Lever (Assm.), 5	122-473	Keylever (S . . .) 7
122-22	1/4-32 Hex. Nut, 3	122-72	Contact Lever, 3	122-474	Keylever (T . . .) 7
122-23	5/16-40 Hex. Nut, 4	122-73	Terminal, 3	122-475	Keylever (U . . .) 7
122-24	1-40 Hex. Nut, 4, 5	122-74	Contact Spring, 3	122-476	Keylever (V . . .) 7
122-25	1-3/8 Hex. Nut, 5	122-75	Contact Spring, 5	122-477	Keylever (W . . .) 7
122-26	Spring, 3	122-76	Insulator, 3	122-478	Keylever (X . . .) 7
122-27	Keylever Spring, 2	122-77	Lamp Contact Bracket	122-479	Keylever (Y . . .) 7
122-28	Spring, 3	122-78	(Assm.), 5	122-480	Keylever (Z . . .) 7
122-29	Spring, 5	122-79	Bracket, 5	122-481	Terminal, 5
122-30	Spring, 1	122-80	Lamp Release Rod	122-482	Tape Guard - Green, 6
122-31	Spring, 3	122-81	(Assm.), 5	122-483	Rings - Green, 7
122-32	Spring, 3	122-82	Bell Rod Shank, 5	122-484	Lower Guide and Die
122-33	Spring, 3	122-83	Washer, 5	122-485	Plates (Advance Feed
122-34	Spring, 4	122-84	Bracket, 5	122-486	Hole), 4
122-35	Spring, 5	122-85	Gear, 5	122-487	Keylever (Comp.) with
122-36	Spring, 5	122-86	Plug, 5	122-488	Printed Keylever A - 7
122-37	Spring, 4	122-87	Keylever Packing, 7	122-489	Keylever (Comp.) with
122-38	Loop Spring, 2	122-88	Celluloid Cover, 7	122-490	Printed Keylever B 7, 7
122-39	Spring, 5	122-89	Small Key Ring, 7	122-491	Keylever (Comp.) with
122-40	Spring, 4	122-90	Back Spacer (Assm.), 4	122-492	Printed Keylever C 1, 7
122-41	Dowel, 2, 5	122-91	Roll, 4	122-493	Keylever (Comp.) with
122-42	Washer, 5	122-92	Disc, 5	122-494	Printed Keylever D 6, 7
122-43	Fibre Washer, 1	122-93	Magnet Washer, 3	122-495	Keylever (Comp.) with
122-44	Bushing, 1	122-94	Bracket, 2	122-496	Printed Keylever E 3, 7
122-45	Brass Bushing, 5	122-95	Stop, 2	122-497	Keylever (Comp.) with
122-46	Fibre Bushing, 5	122-96	Tape Roll (Assm.) -	122-498	Printed Keylever F City, 7
122-47	Washer, 5	122-97	Green, 6	122-499	Keylever (Comp.) with
122-48	Bushing, 3	122-98	Tape Roll, 6	122-500	Printed Keylever G 4, 7
122-49	Cord Terminal Block, 2	122-99	Copy Holder - Green, 6	122-501	Keylever (Comp.) with
122-50	Terminal, 1	122-100	Tape Reel Cover	122-502	Printed Keylever H 4, 7
122-51	Washer, 4	122-101	Plate - Green, 6	122-503	Keylever (Comp.) with
122-52	Contact Screw, 5	122-102	Wooden Filler, 6	122-504	Keylever (Comp.) with
122-53	Spring Foot, 1	122-103	Feed Roll (Advance Feed	122-505	Printed Keylever I 8, 7
122-54	Chad Chute, 1	122-104	Hole), 4	122-506	Keylever (Comp.) with
122-55	Hammer Feeding, 3	122-105	Punch Holder, 4	122-507	Printed Keylever J City, 7
122-56	Cable, 1	122-106	Punch - Large, 4	122-508	Keylever (Comp.) with
122-57	Loop - Rear, 2	122-107	Punch - Small, 4	122-509	Printed Keylever K 7, 7
122-58	Loop - F, 2	122-108	Knocker, 4	122-510	Keylever (Comp.) with
122-59	Loop - R, 2	122-109	Knocker Weaving Strip	122-511	Printed Keylever L 1, 7
122-60	Loop - L, 2	122-110	(Advance Feed Hole), 4	122-512	Keylever (Comp.) with
122-61	Loop - R, 2	122-111	Upper Guide Plate (Ad-	122-513	Printed Keylever M 7, 7
122-62	Loop - L, 2	122-112	vance Feed Hole), 4	122-514	Keylever (Comp.) with
122-63	Power Loop - Front, 2	122-113	Punch Bar #1 - Bottom, 3	122-515	Printed Keylever N 4, 7
122-64	Bearing, 2	122-114	Punch Bar #4, 3	122-516	Keylever (Comp.) with
122-65	Washer, 2	122-115	Punch Bar #3, 5	122-517	Printed Keylever O 9, 7
122-66	Shaft, 2	122-116	Punch Bar #2, 5	122-518	Keylever (Comp.) with
122-67	Loop Stop, 2, 7	122-117	Punch Bar #1 - Top, 3	122-519	Printed Keylever P 1, 7
122-68	Spacer Lever Plate, 1, 2	122-118	Tape Tension Lever, 5	122-520	Keylever (Comp.) with
122-69	Dowel, 2	122-119	Contact Lever, 5	122-521	Printed Keylever Q 4, 7
122-70	Keylever Guide, 1, 7	122-120	Spacer Bar Loop, 1, 7	122-522	Keylever (Comp.) with
122-71	Spring Bar, 2, 7	122-121	Punch Block (Assm.)	122-523	Printed Keylever R 4, 7
122-72	Bearing, 2	122-122	(Advance Feed Hole), 4	122-524	Keylever (Comp.) with
122-73	Finion, 4	122-123	Spacer Bar (Assm.), 1	122-525	Printed Keylever S 5, 7
122-74	Idler, 5	122-124	Feed Roll, 3	122-526	Keylever (Comp.) with
122-75	Spring Foot, 2	122-125	Lamp Contact Lever	122-527	Printed Keylever T 5, 7
122-76	Lamp Socket, 2	122-126	(Assm.), 5	122-528	Keylever (Comp.) with
122-77	Wipple, 2	122-127	Over - Green, 7	122-529	Printed Keylever U 7, 7
122-78	Lamp, 3	122-128	Punch Washer (Assm.), 5	122-530	Keylever (Comp.) with
122-79	Roll Crank #5 - Bottom, 3	122-129	Keylever (Blank), 7	122-531	Printed Keylever V 2, 7
122-80	Bell Crank #4, 3	122-130	Keylever (Fig.), 7	122-532	Keylever (Comp.) with
122-81	Bell Crank #3, 3	122-131	Keylever (Ltra.), 7	122-533	Printed Keylever W 2, 7
122-82	Bell Crank #2, 3	122-132	Keylever (Line Feed), 7	122-534	Keylever (Comp.) with
122-83	Bell Crank #1 - Top, 3	122-133	Keylever (Car. Ret.), 7	122-535	Printed Keylever X 1, 7
122-84	Spacer Wrench, 3	122-134	Holder Plate - Green, 6	122-536	Keylever (Comp.) with
122-85	Washer, 3	122-135	Lamp Release Rod, 5	122-537	Printed Keylever Y 6, 7
122-86	Foot, 3	122-136	Back Spacer, 4	122-538	Keylever (Comp.) with
122-87	Distant Star Wheel, 4	122-137	Lamp Cord (Assm.), 6	122-539	Printed Keylever Blank, 7
122-88	Spring Foot, 2	122-138			

