

ILLUSTRATED PARTS BREAKDOWN  
for  
MODEL 28 TAPE SPLICER ( LTS )

CONTENTS

Figure	Title	Page
1	Tape Guide and Clamps	2
2	Cutter Mechanism	3
3	Heater Mechanism	4
4	Delay Relay	5
	Numerical Index	6

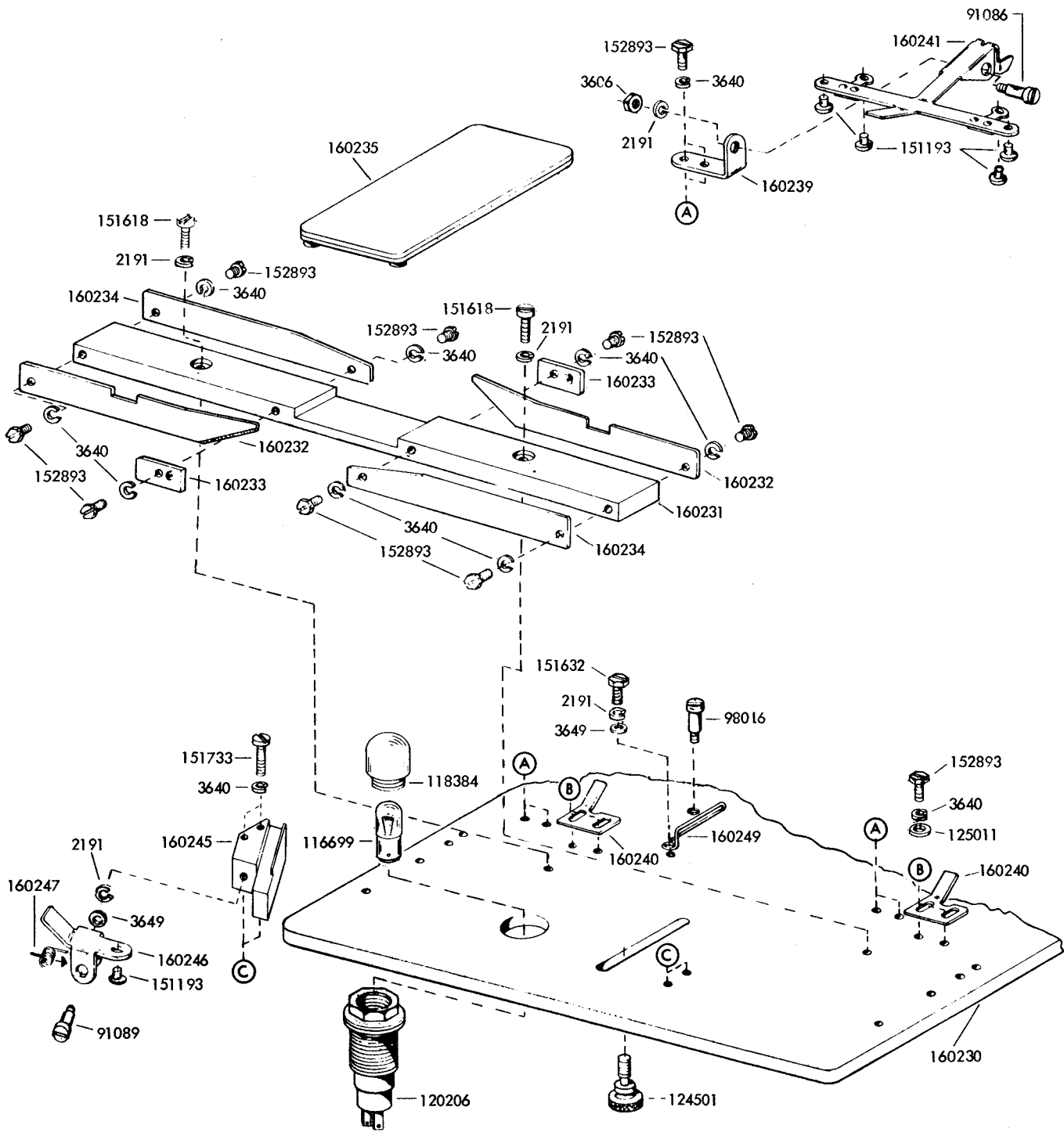


FIGURE 1. TAPE GUIDE AND CLAMPS

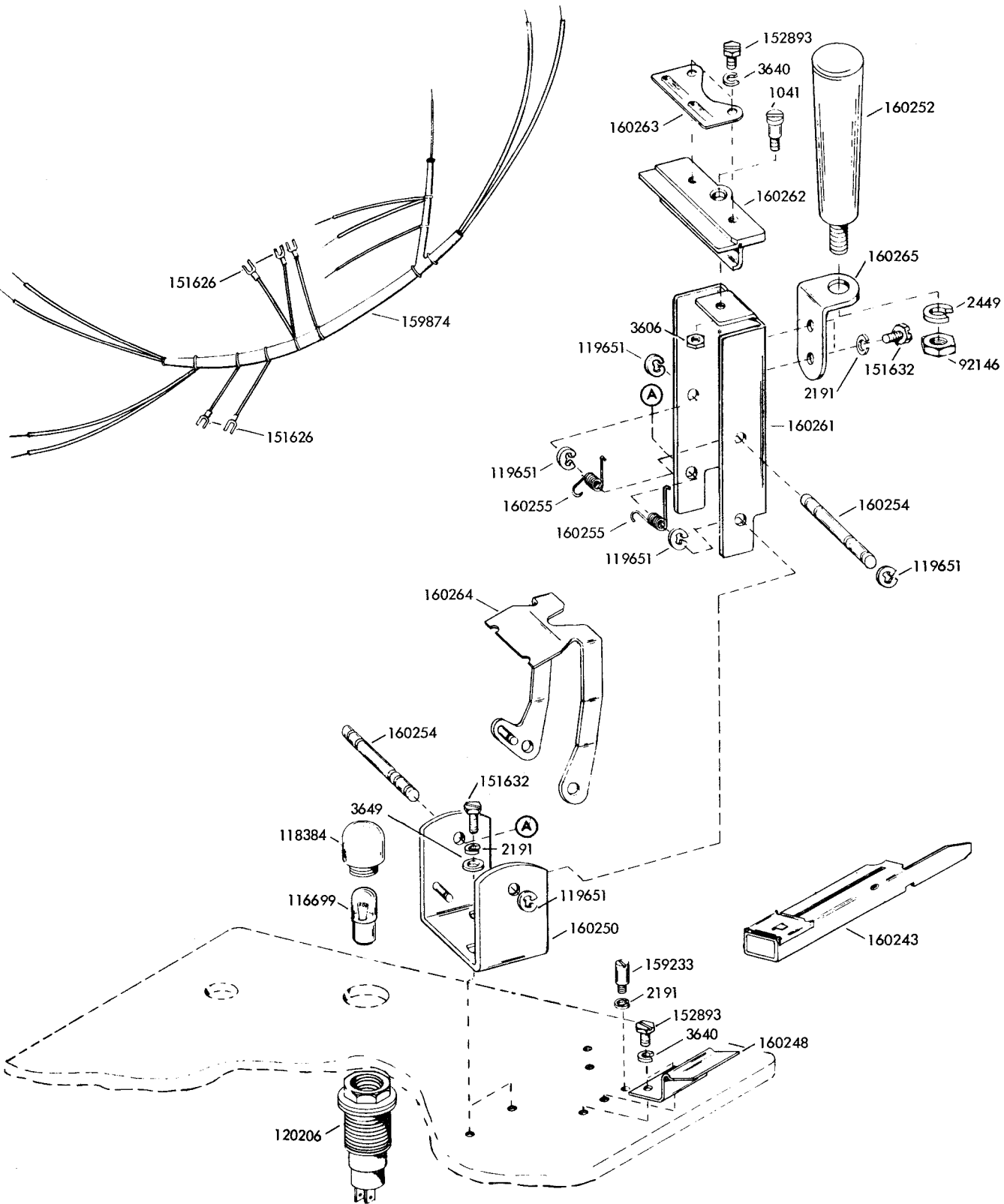


FIGURE 2. CUTTER MECHANISM



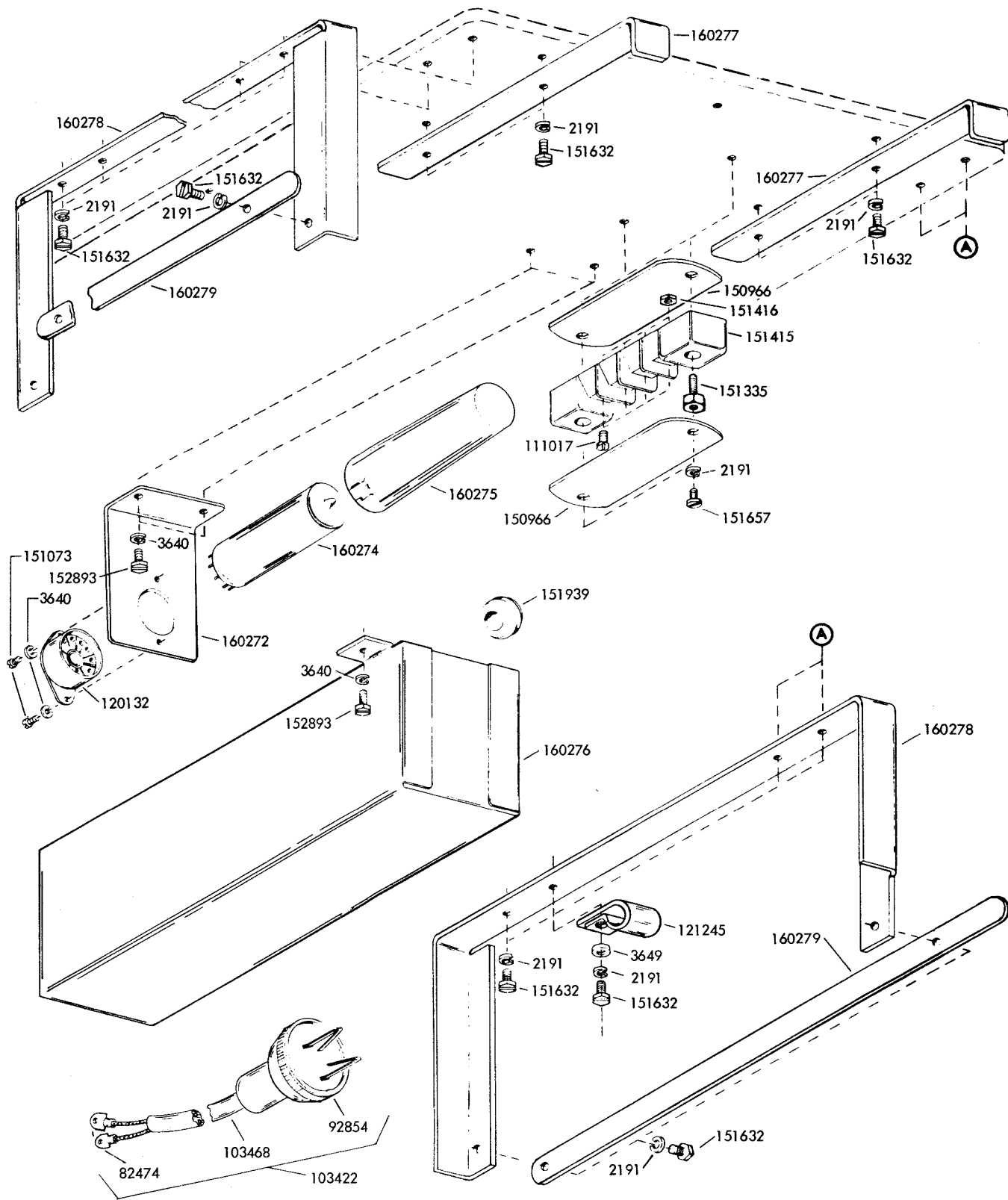


FIGURE 4. DELAY RELAY

## NUMERICAL INDEX

Part Number	Description and Page Number	Part Number	Description and Page Number
1041	Screw, Shoulder (6-40) 3	159874	Cable Assembly 3
1210	Screw (2-56 x 5/8 Fil) 4	160230	Plate, Mounting 2
2191	Washer, Lock 2,3,4,5	160231	Block, Guide 2
2449	Washer, Lock 3,4	160232	Trimmer, Tape 2
3606	Nut (6-40 Hex) 2,3,4	160233	Clamp 2
3640	Washer, Lock 2,3,4,5	160234	Plate, Guide 2
3649	Washer, Flat 2,3,4,5	160235	Plate 2
76474	Nut (10-32 Hex) 4	160239	Bracket 2,4
76637	Screw, Shoulder (6-40) 4	160240	Spring 2
76898	Grommet 4	160241	Lever 2
82474	Terminal 5	160243	Injector w/Blades 3
91086	Screw, Shoulder (6-40) 2	160244	Lever, Switch 4
92146	Nut (1/4-20 Hex) 3,4	160245	Block 2
92854	Connector 5	160246	Lever 2
93118	Washer, Lock 4	160247	Spring 2
103422	Cord Assembly 5	160248	Clip, Spring 3
103468	Cord w/Terminals 5	160249	Guide, Tape 2
111017	Screw (6-40 x 5/16 Fil) 5	160250	Bracket 3,4
116699	Lamp, Neon 2,3	160251	Bracket 4
118384	Lens 2,3	160252	Handle 3,4
119651	Ring, Retaining 3,4	160253	Plate 4
120132	Socket, Tube 5	160254	Shaft 3,4
120206	Socket, Lamp 2,3	160255	Spring 3,4
121245	Clamp, Cable 5	160256	Block Heater 4
124501	Screw, Thumb (6-40) 2	160257	Heater, Cartridge 4
125011	Washer, Flat 2	160258	Thermoswitch 4
150966	Plate, Insulating 5	160259	Bracket 4
151054	Stud (4-40) 4	160260	Screw, Pivot 4
151073	Screw (4-40 x 5/32 Fil) 4,5	160261	Bracket, Cutter 3
151193	Bumper 2	160262	Retainer, Cutter 3
151335	Stud 5	160263	Spring; Flat 3
151415	Block 5	160264	Guard 3
151416	Nut (6-40 Hex) 5	160265	Bracket 3
151618	Screw (6-40 x 7/16 Fil) 2	160266	Retainer, Tape 4
151626	Terminal 3,4	160267	Core 4
151632	Screw (6-40 x 3/8 Hex) 2,3,4,5	160268	Lever, Tape Spool 4
151657	Screw (6-40 x 1/4 Fil) 5	160269	Spring 4
151658	Screw (6-40 x 5/16 Fil) 4	160270	Actuator, Switch 4
151733	Screw (4-40 x 9/16 Fil) 2	160271	Shield, Heater 4
151880	Nut (4-40 Hex) 4	160272	Bracket 5
151939	Grommet 5	160274	Relay 5
152893	Screw (4-40 x 1/4 Hex) 2,3,4,5	160275	Shield, Tube 5
156057	Washer, Flat 4	160276	Cover 5
158163	Switch 4	160277	Strip, Support 5
159233	Stud 3	160278	Bracket, Mounting 5
159859	Roll, Tape 4	160279	Strip, Mounting 5
		160416	Plate 4