

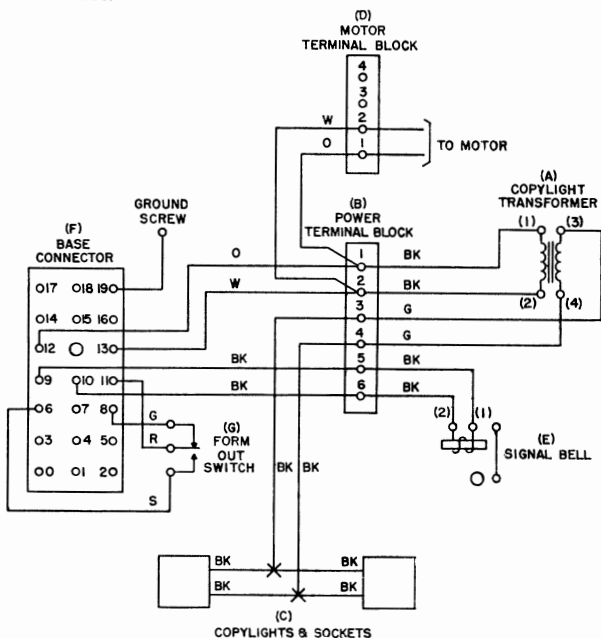
**BELL SYSTEM PRACTICES**  
**Teletypewriter and Data Stations**

**SECTION P34.354**  
**Issue 1, September, 1961**  
**AT&T Co Standard**

## 28LA APPARATUS CABINET WIRING DIAGRAM

### 1. GENERAL

1.01 This section shows the wiring for the 28LA apparatus cabinet.



**28LA Apparatus Cabinet**