

TECHNICAL MANUAL

PRINTER TG-7-A AND TELETYPEWRITERS TG-7-B, TG-37-B, AND TT-55/MGC

CHANGES
No. 2 }

DEPARTMENT OF THE ARMY
WASHINGTON 25, D. C., 26 December 1950

TM 11-352, 15 February 1946, is changed as follows:

The title of the manual is changed to read **PRINTER TG-7-A AND TELETYPEWRITERS TG-7-B, TG-37-B, AND TT-55/MGC.**

PART ONE
INTRODUCTION

Note. (Added) Teletypewriter TT-55/MGC is similar to Teletypewriter TG-7-B except for modifications to accomplish noise suppression (par. 1d). All information in this manual covering Teletypewriter TG-7-B applies equally to Teletypewriter TT-55/MGC unless otherwise specified.

1. General

* * * * *

d. TELETYPEWRITER TT-55/MGC. (Added) Teletypewriter TT-55/MGC is a modified Teletypewriter TG-7-B and is used as a part of Radio Set AN/GRC-26, a medium-power, vehicular radio station which provides radioteletype, voice, or c-w (continuous-wave) communication over a range of approximately 1,000 miles, depending on conditions of ionosphere and terrain. Principal modifications of Teletypewriter TG-7-B are made to accomplish noise suppression and include—

- (1) Installation of a power-lead filter (Teletype part No. 102874) at terminals No. 21 and 33 (fig. 247).
- (2) Addition of a .1-uf (microfarad), 500-volt a-c/d-c capacitor from the upper contact of the line jack (contact No. 12) on the base to ground at a tapped hole on the keyboard (figs. 247 and 247.1).
- (3) Addition of a .01-uf, 500-volt a-c/d-c capacitor from terminal No. 21 to ground at a tapped hole in the bracket adjacent to the power switch (figs. 247 and 247.2).
- (4) Addition of a tinned copper braid ground

strap between the OFF nameplate on the case and a keyboard mounting screw (fig. 247.3).

Note. In addition to the electrical modifications enumerated above, Teletypewriter TT-55/MGC is taken from Chest CH-50-B when it is used with Radio Set AN/GRC-26, and the hardware and mounting accessories are removed from the chest and are used to mount the unit in position on an operating table of the radio set.

104. Test Sets

* * * * *

f. MULTIMETER TS-297/U (Added) Multimeter TS-297/U is a multirange test instrument for measuring voltage, direct current, and resistance. Refer to TM 11-5500 for a complete description of Multimeter TS-297/U.

126. Localization of Electrical Troubles

* * * * *

Note. (Added) Multimeter TS-297/U is a component of Tool Equipment TE-50-A and can be used in place of Test Unit I-236 and, also, wherever an ohmmeter is required in trouble shooting this equipment.

APPENDIX III

IDENTIFICATION TABLE OF PARTS

Note. (Added) The fact that a part is listed in this table is not sufficient basis for requisitioning the item. Requisitions must cite an authorized basis, such as T/O & E, T/A, T/BA, SIG 6, SIG 7, SIG 8, SIG 7 & 8, SIG 7-8-10, SIG 10, list of allowances of expendable material, or other authorized supply basis. The Department of the Army Supply Catalogs applicable to the equipments covered in this manual are SIG 7 and 8 TG-7 and SIG 7 and 8 TG-37. For an index of available supply catalogs in the Signal portion of the Department of the Army Supply Catalog, see the latest issue of SIG 1, Introduction and Index.

1. Department of the Army Supply Catalog Reference (Rescinded)

9.1. Identification Table of Parts for Teletypewriter TT-55/MGC (Added)

Note. Parts listed in this appendix for Teletypewriter TG-7-B plus parts listed below comprise an identification table of parts for Teletypewriter TT-55/MGC.

Fig. ref	Name of part and description	Function of part	Signal Corps stock No.
247.2-----	CAPACITOR, fixed: paper; .01 uf, 500 v ac/dc working; hermetically sealed case; 3/4" lg x 5/8" dia case; mineral oil impregnated and filled; Sig C Capacitor CA-472 modified by addition of wire connection.	Suppresses interference within a frequency range of 1.5 to 38.9 megacycles.	3DA10-496
247.1-----	CAPACITOR, fixed: paper; .1 uf, 500 v ac/dc working; hermetically sealed case; 1 1/16" lg x 1" dia case; mineral oil impregnated and filled; Sig C Capacitor CA-488 modified by addition of wire connection.	Suppresses interference within a frequency range of 1.5 to 38.9 megacycles.	3DA100-992
	MOUNT, vibration: 2 1/4" sq x 1" thk; rubber cushion 2" dia x 1" thk.	Eliminates shock-----	4T102510
	NUT, hexagon: steel, 3/8"-16 thd-----	-----	4T85595
	PAD: felt, gray; 1 7/8" lg x 1 7/4" wd x 3/8" thk-----	Silencing pad for teletypewriter-----	4T103148
	STUD: steel; 1.1937" o/a, w/hex. shoulder, 3/4" across flats.	Mounts base plate to shock mount-----	4T103376

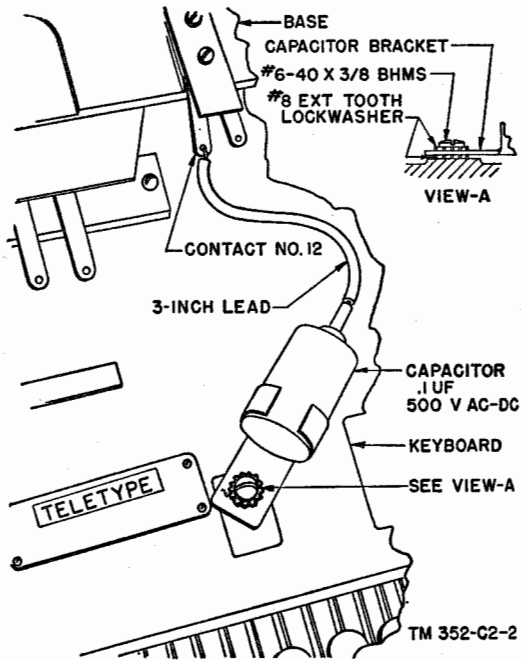


Figure 247.1 (Added). Teletypewriter TT-55/MGC, location of .1-uf capacitor in modification of Teletypewriter TG-7-B.

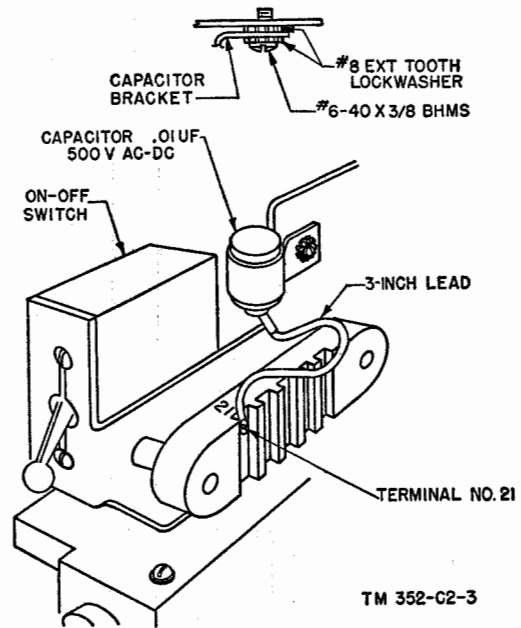


Figure 247.2 (Added). Teletypewriter TT-55/MGC, location of .01-uf capacitor in modification of Teletypewriter TG-7-B.

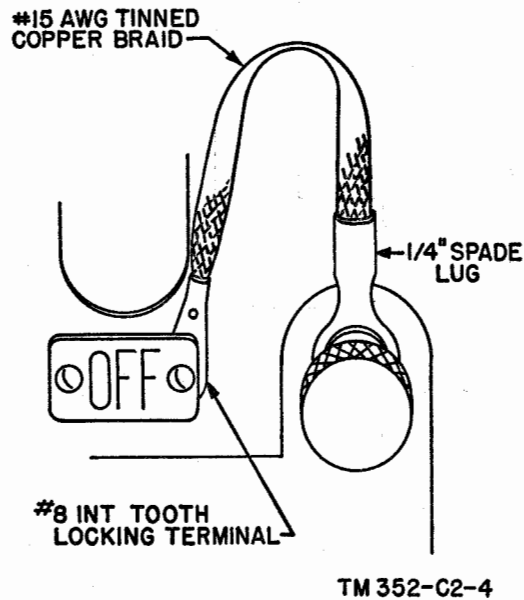


Figure 247.3 (Added). Teletypewriter TT-55/MGC, location of grounding braid in modification of Teletypewriter TG-7-B.

[AG 300.7 (8 Dec 50)]