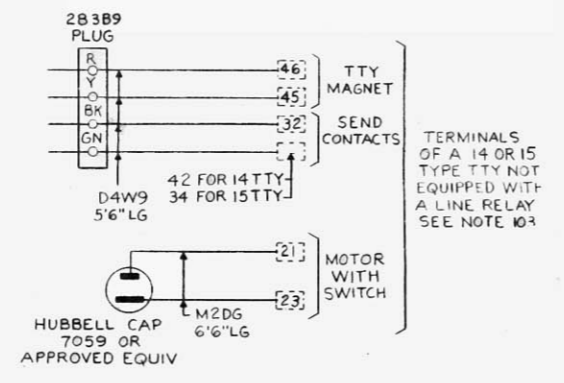


DRAWING	ISSUE	R.A.C.
9D	MAE	JAS
10D	WCF	JCF
11B	MS	NY
12B	AS	NY
13B	AS	NY

FIG. 3 (A&M ONLY)  
14 OR 15 TYPE  
TTY CONNECTIONS



TERMINALS OF A 14 OR 15 TYPE TTY NOT EQUIPPED WITH A LINE RELAY SEE NOTE 103

FIG. 4 (A&M ONLY)  
TTY POWER OUTLET AND CONTROL

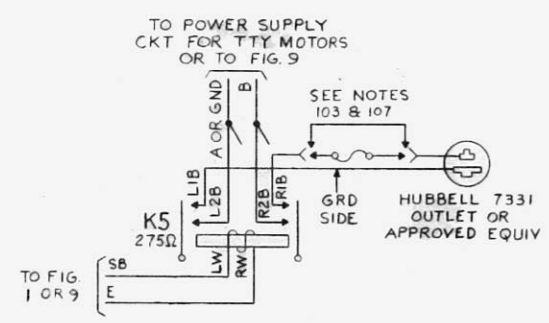


FIG. 8 (A&M ONLY)

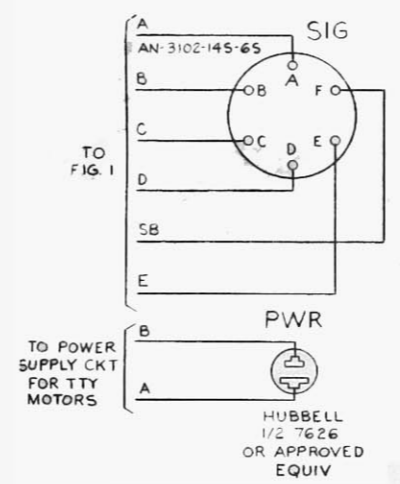


FIG. 9 (A&M ONLY)

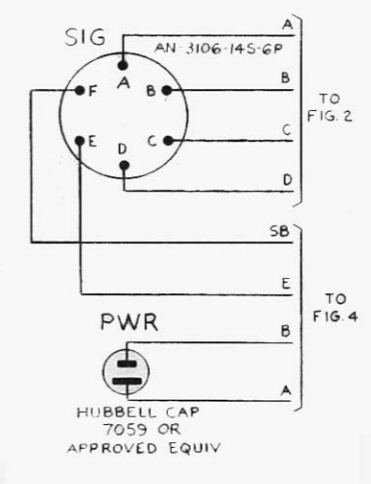
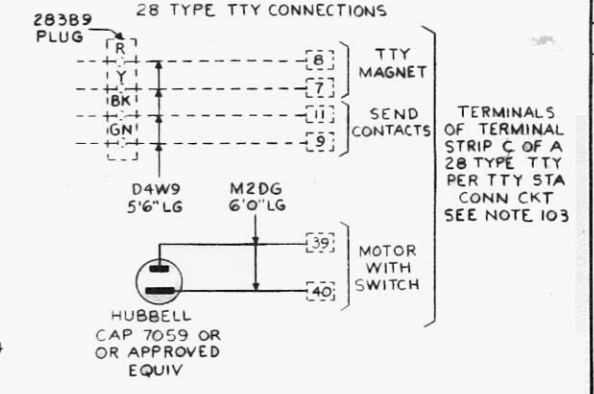


FIG. 10 (A&M ONLY)  
28 TYPE TTY CONNECTIONS



TERMINALS OF TERMINAL STRIP C OF A 28 TYPE TTY PER TTY STA CONN CKT SEE NOTE 103

CIRCUIT NOTES: (CONT)

- 111. THE 35 KSR TTY IS COMPOSED OF THE FOLLOWING:  
35C-X3 TTY BASE (KSR)  
35M TYPING UNIT  
35C TTY CABINET FOR FLOOR MOUNTED TTY SET OR  
35D TTY CABINET FOR TABLE MOUNTED TTY SET  
35B TYPE BOX  
35E ELECTRICAL SERVICE UNIT  
28A MOTOR UNIT  
28C-1 SET OF GEARS  
TP-320457 ASSEMBLY HARDWARE
- 112. THE SELECTOR MAGNET DRIVER CARD FURNISHED WITH THE ELECTRICAL SERVICE UNIT SHALL BE REPLACED WITH A TP-182631 SELECTOR MAGNET DRIVER CARD (FOR 60 MA OPERATION) AND A STRAP SHALL BE ADDED BETWEEN C4E AND C9C BY THE DISTRIBUTING HOUSE OR INSTALLER.
- 113. FIGS. 19 AND 20 SHALL BE FURNISHED, ONLY WHEN REQUIRED, AS DETERMINED BY AUXILIARY TELETYPEWRITER LOCATION.
- 114. REMOVE SIGNAL REGENERATOR CIRCUIT CARD TP-177563 AND ADD STRAP BETWEEN TERMINALS C2AA AND C4AA IN 35 TYPE TTY.

FIG. 17  
35 TYPE TTY CONNECTIONS  
SEE NOTES 111, 112 AND 114

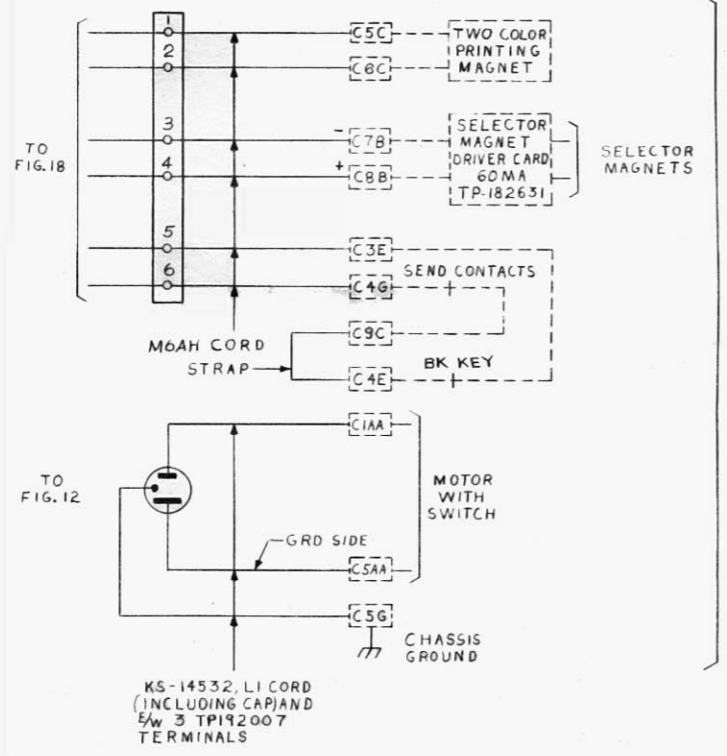


FIG. 18  
TTY CONNECTOR  
AUX TTY

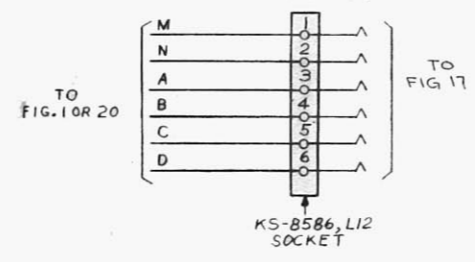


FIG. 19  
SEE NOTE 113  
SIG  
AN-3102A-20-7S

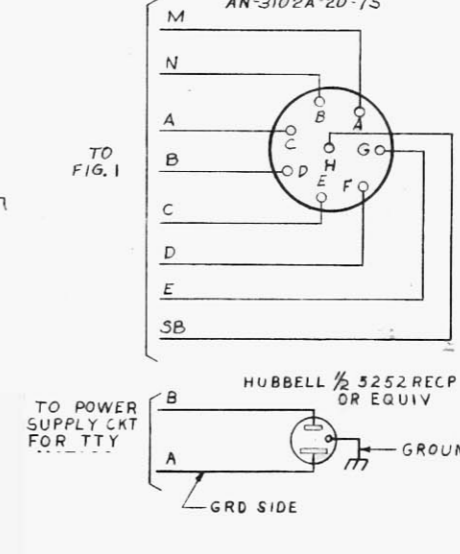
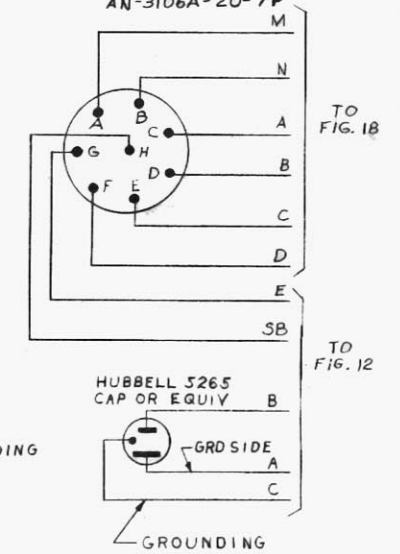


FIG. 20  
SEE NOTE 113  
SIG  
AN-3106A-20-7P



TELEGRAPH SERVICE BDS. NOS. 2 & 9B  
AUXILIARY TELETYPEWRITER CIRCUIT SD-70551-012

BELL TELEPHONE LABORATORIES INCORPORATED 65 PRINTED IN U. S. A.

DRH

DRAWING	ISSUE	R.A.C.
9D	HAE	FC.
10D	WCF	FC.
11B	WCF	NY
12B	AS	FC.
13B	MCN	FC.

FIG. 8 (A&M ONLY)

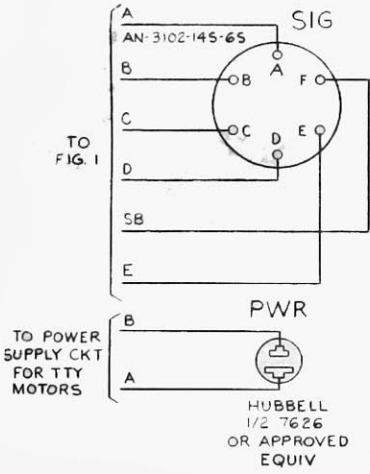


FIG. 9 (A&M ONLY)

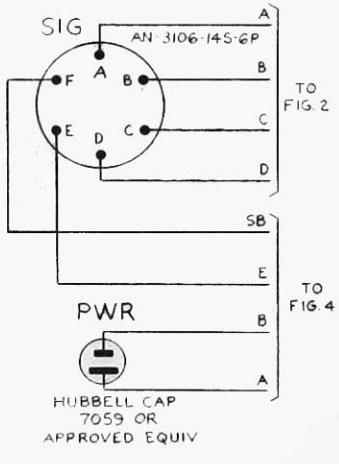
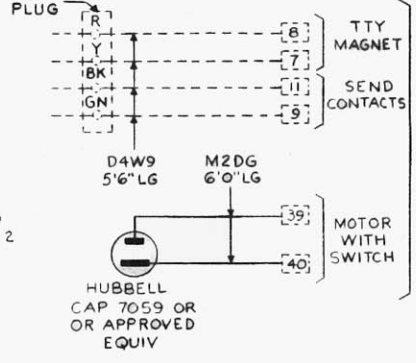


FIG. 10 (A&M ONLY)  
28 TYPE TTY CONNECTIONS



TERMINALS OF TERMINAL STRIP C OF A 28 TYPE TTY PER TTY STA CONN CKT SEE NOTE 103

FIG. 19  
SEE NOTE 113  
SIG  
AN-3102A-20-7S

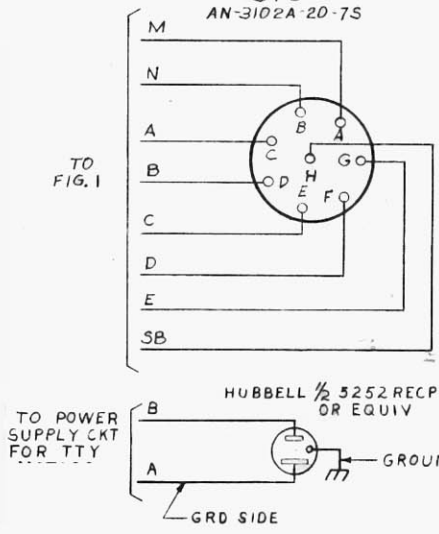


FIG. 20  
SEE NOTE 113  
SIG  
AN-3106A-20-7P

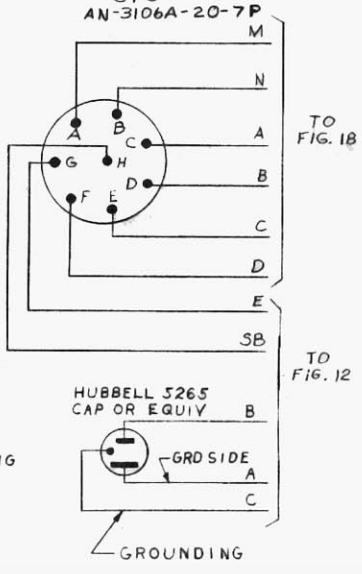
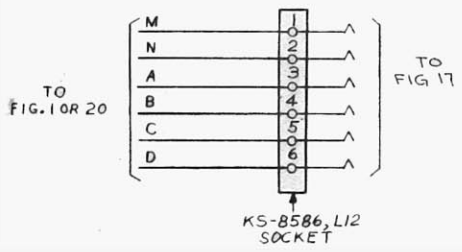


FIG. 18  
TTY CONNECTOR  
AUX TTY



DRH

FIG. 4 (A&M ONLY)  
TTY POWER OUTLET AND CONTROL

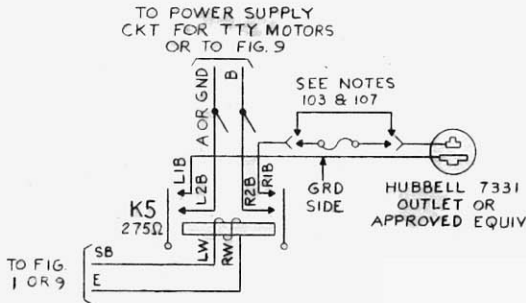
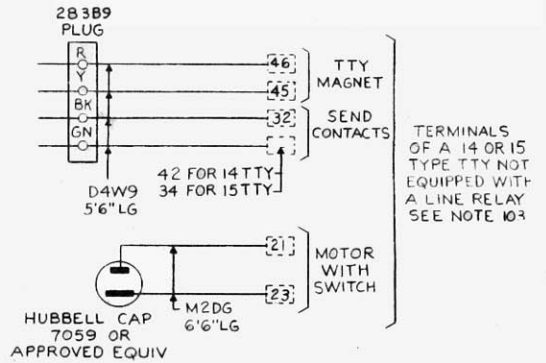
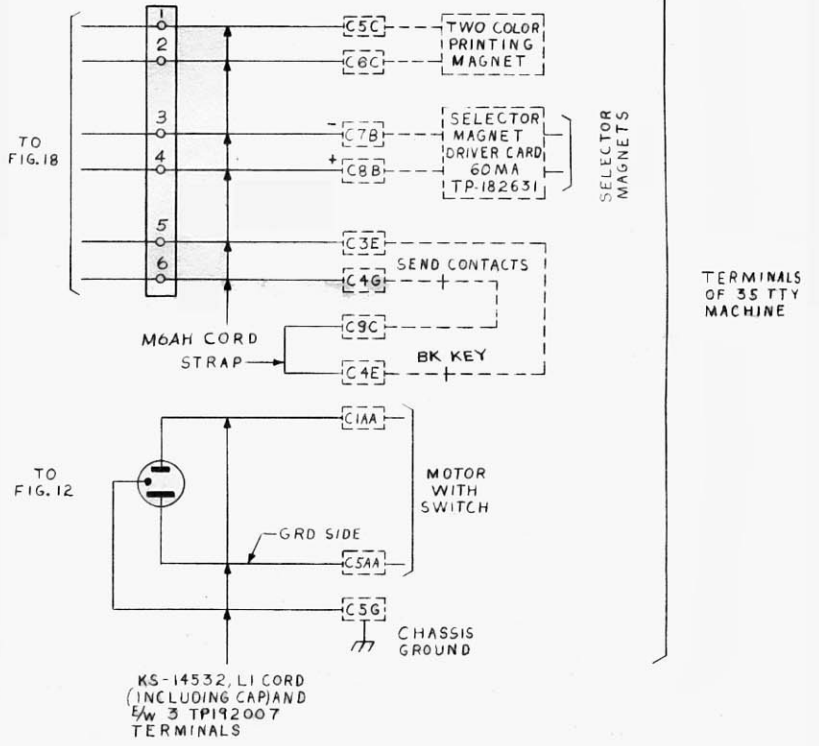


FIG. 3 (A&M ONLY)  
14 OR 15 TYPE  
TTY CONNECTIONS



TERMINALS OF A 14 OR 15 TYPE TTY NOT EQUIPPED WITH A LINE RELAY SEE NOTE 103

FIG. 17  
35 TYPE TTY CONNECTIONS  
SEE NOTES 111, 112 AND 114



TERMINALS OF 35 TTY MACHINE

CIRCUIT NOTES: (CONT)

- 111. THE 35 KSR TTY IS COMPOSED OF THE FOLLOWING:
  - 35C-X3 TTY BASE (KSR)
  - 35M TYPING UNIT
  - 35C TTY CABINET FOR FLOOR MOUNTED TTY SET OR
  - 35D TTY CABINET FOR TABLE MOUNTED TTY SET
  - 35B TYPE BOX
  - 35E ELECTRICAL SERVICE UNIT
  - 28A MOTOR UNIT
  - 28C-1 SET OF GEARS
  - TP-320457 ASSEMBLY HARDWARE
- 112. THE SELECTOR MAGNET DRIVER CARD FURNISHED WITH THE ELECTRICAL SERVICE UNIT SHALL BE REPLACED WITH A TP-182631 SELECTOR MAGNET DRIVER CARD (FOR 60 MA OPERATION) AND A STRAP SHALL BE ADDED BETWEEN C4E AND C9C BY THE DISTRIBUTING HOUSE OR INSTALLER.
- 113. FIGS. 19 AND 20 SHALL BE FURNISHED, ONLY WHEN REQUIRED, AS DETERMINED BY AUXILIARY TELETYPEWRITER LOCATION.
- 114. REMOVE SIGNAL REGENERATOR CIRCUIT CARD TP-177563 AND ADD STRAP BETWEEN TERMINALS C2AA AND C4AA IN 35 TYPE TTY.

KS-14532, LI CORD (INCLUDING CAP) AND E/W 3 TP192007 TERMINALS

DRH

TELEGRAPH SERVICE BDS. NOS. 2 & 9B  
AUXILIARY TELETYPEWRITER CIRCUIT

SD-70551-012

BELL TELEPHONE LABORATORIES  
INCORPORATED

6S

PRINTED IN U. S. A.

2 of 2