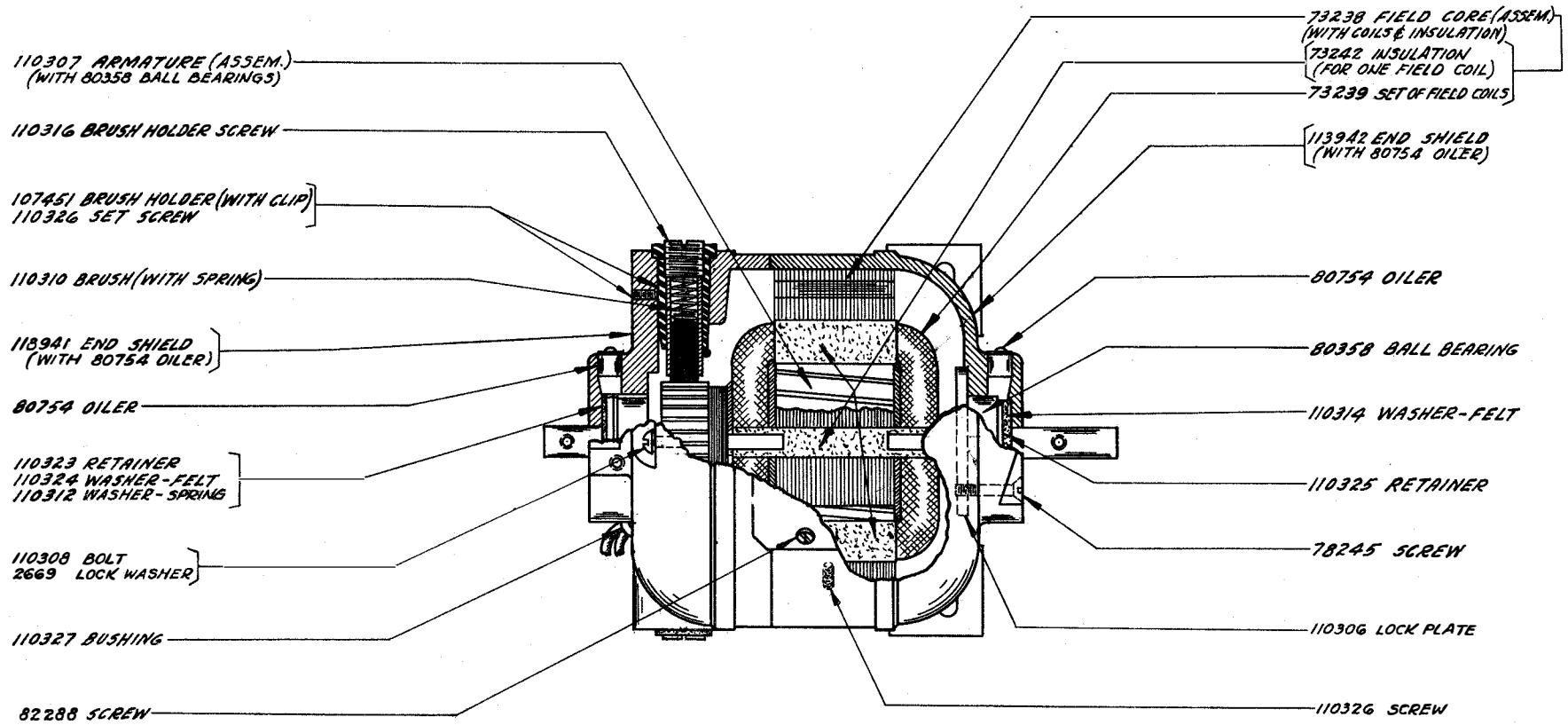


CHANGES AND ADDITIONS  
TO BULLETINS

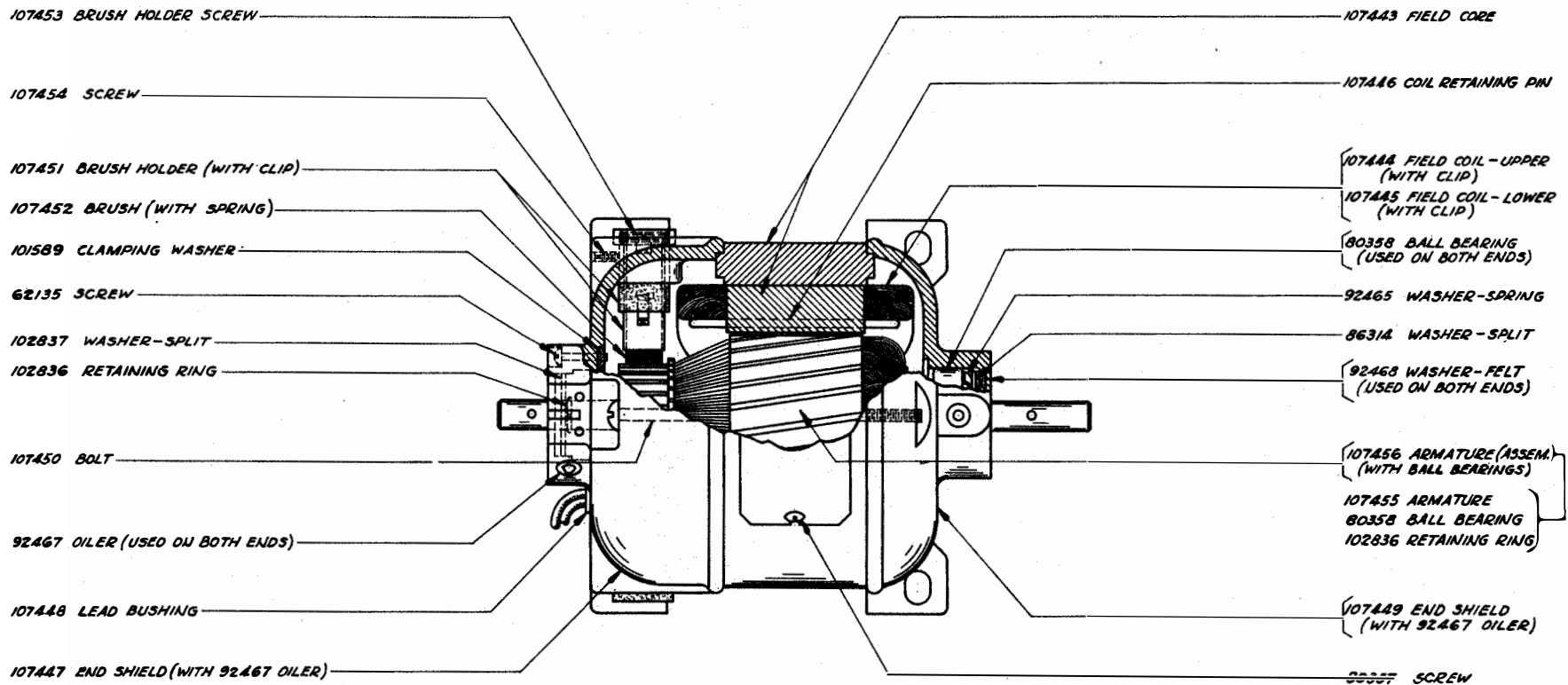
1028	ISSUE 2	1048	ISSUE 2	1082	ISSUE 2	1096	ISSUE 1	1107	ISSUE 1	1119	ISSUE 1
1030	ISSUE 2	1063	ISSUE 2	1083	ISSUE 1	1100	ISSUE 2	1108	ISSUE 1	1120	ISSUE 1
1031	ISSUE 3	1064	ISSUE 2	1084	ISSUE 1	1101	ISSUE 1	1109	ISSUE 1	1122	ISSUE 1
1035	ISSUE 1	1072	ISSUE 2	1087	ISSUE 1	1102	ISSUE 1	1110	ISSUE 1	1123	ISSUE 1
1036	ISSUE 3	1075	ISSUE 2	1088	ISSUE 2	1103	ISSUE 1	1114	ISSUE 1	1125	ISSUE 1
1037	ISSUE 4	1079	ISSUE 1	1094	ISSUE 2	1104	ISSUE 1	1116	ISSUE 1	1126	ISSUE 1
1041	ISSUE 4	1080	ISSUE 1	1095	ISSUE 1	1106	ISSUE 1	1117	ISSUE 2		

THIS CORRECTION SHEET COVERS PARTS ORDERING INFORMATION  
FOR MOTORS WHICH HAVE BEEN FURNISHED AS SUBSTITUTES FOR  
STANDARD MOTORS DUE TO WARTIME PROCUREMENT CONDITIONS.

STANDARD MOTORS		SUBSTITUTE MOTORS		ILLUSTRATED ON PAGE NO.
PART NUMBER	MODEL NUMBER	PART NUMBER	MODEL NUMBER	
6708	5BA65AA77	107151	S-9058	2
77953	5BA65AA29	104038	S-9050	3
77953	5BA65AA29	106875	S-9057	4
82283	5SH25AB11	83799	S-9005	5
82714	5SH25AB14	104061	S-9049	6

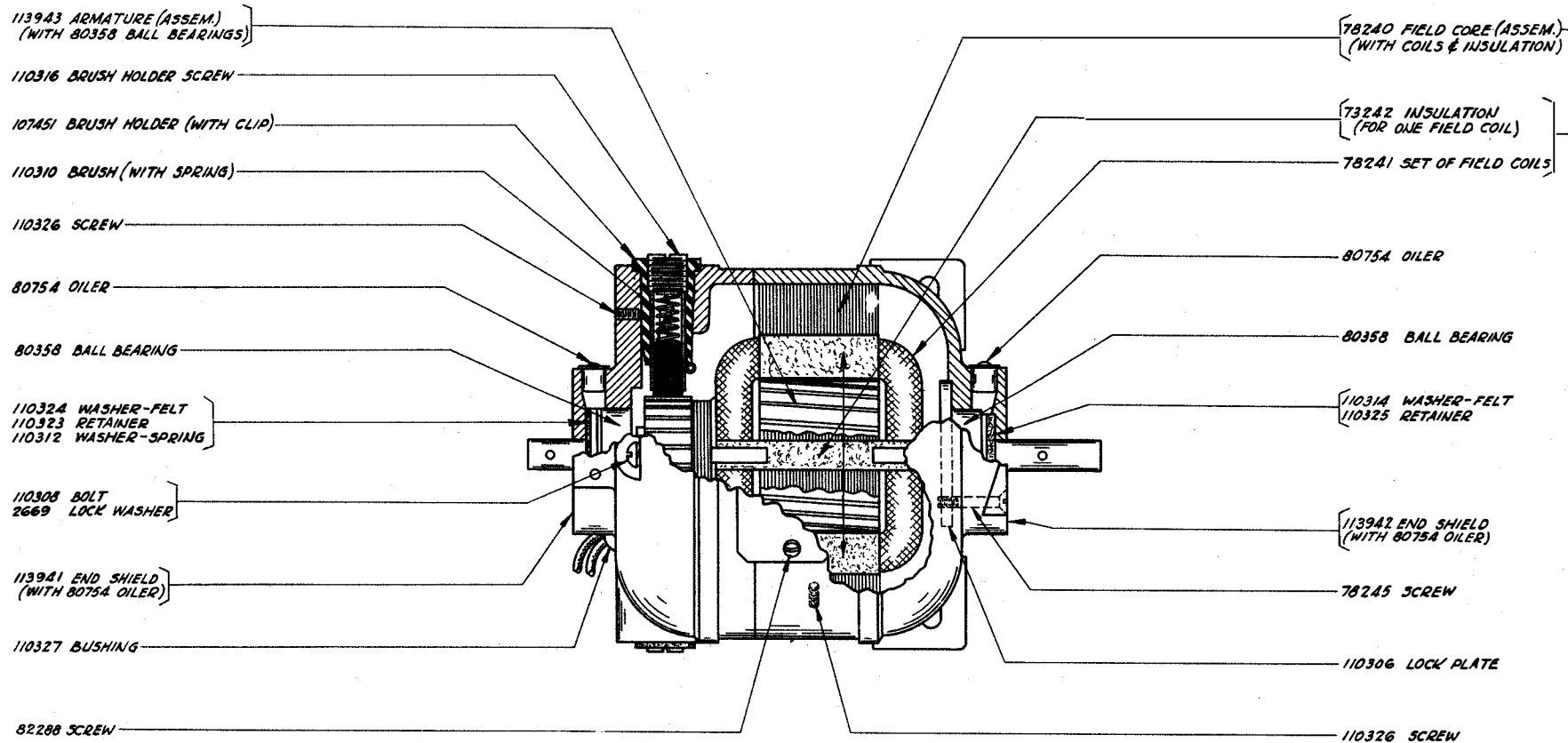


107151 SERIES MOTOR, 1/25 H.P., 115 V., 50-60 CYCLE A.C. (ELECTRIC SPRAYIT MODEL S-9058)  
THIS MOTOR MAY BE FURNISHED AS A SUBSTITUTE FOR 6708



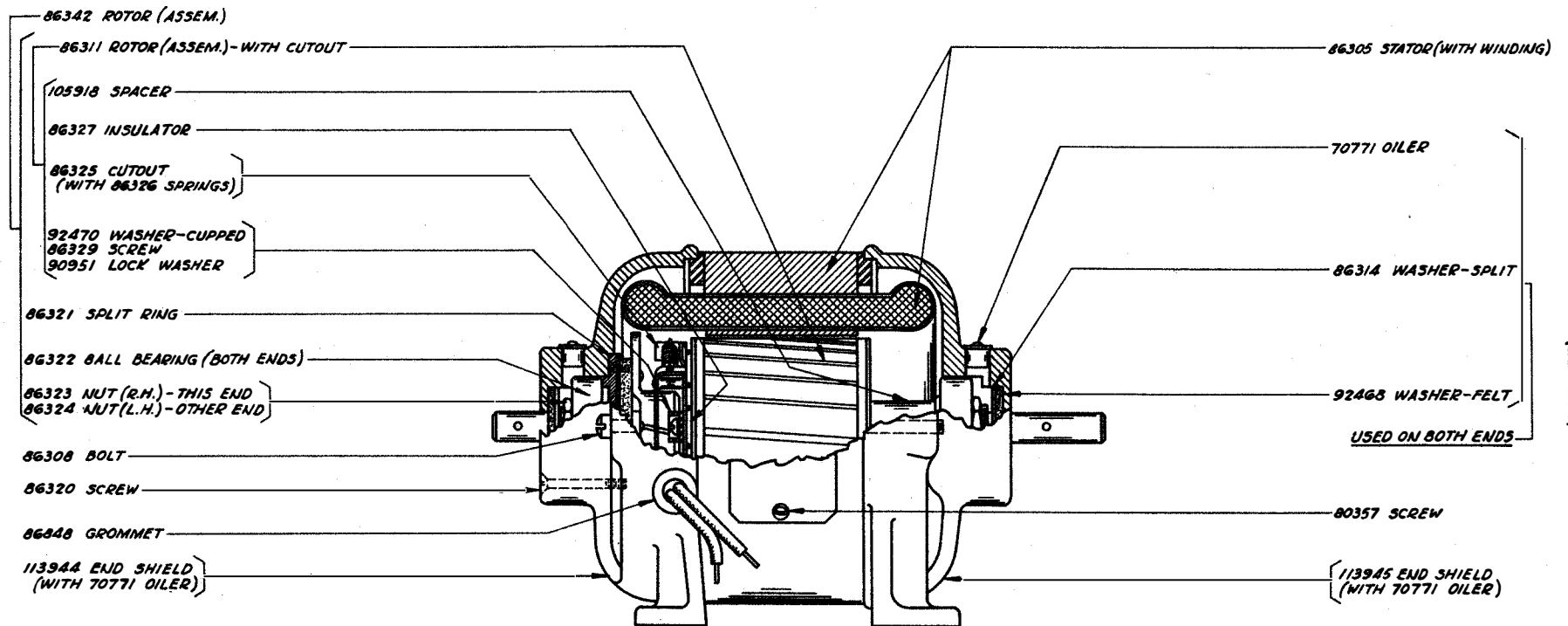
-3-  
(EE-506)

IO4038 SERIES MOTOR, 1/25 H.P., 115 V., 50-60 CYCLE, A.C. (H.C. MODEL S-9050)  
THIS MOTOR MAY BE FURNISHED AS A SUBSTITUTE FOR 77953



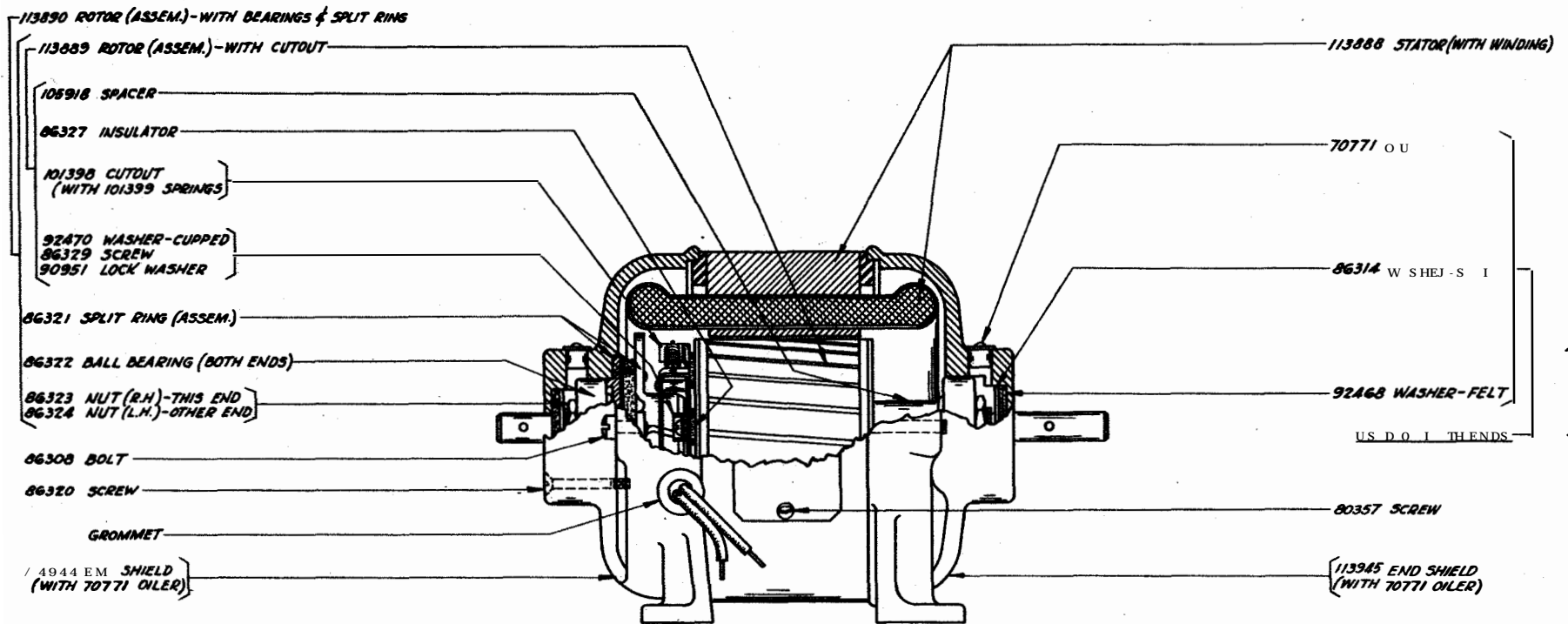
106875 SERIES MOTOR, 1/25 H.P., 115 V., 50-60 CYCLE A.C. (ELECTRIC SPRAYIT MODEL S-9057)  
THIS MOTOR MAY BE FURNISHED AS A SUBSTITUTE FOR 77953

(EE-506)  
-4-



-5-  
(EE-506)

83799 SYNCHRONOUS MOTOR, 1/40 H.P., 115 V., 60 CYCLE A.C. (H.C. MODEL S-9005)  
THIS MOTOR MAY BE FURNISHED AS A SUBSTITUTE FOR 82283



(EE-506)  
-9-

104061 SYNCHRONOUS MOTOR, 1/40 H.P., 115 V., 50 CYCLE A.C. (H.C. MODEL S-9049)  
THIS MOTOR MAY BE FURNISHED AS A SUBSTITUTE FOR 82714