

- \*Includes keyboard and single TD gear sets only.
- \*\*Modification Kit including keyboard and single TD gear sets and the 193565 coupling (required when replacing an early style gear set).
- #Includes keyboard, single TD base and reperforator gear sets.
- ##Includes keyboard, dual TD base and reperforator gear sets.

FIGURE 1-49. GEAR SETS

WPM/OPM Baud Unit Code	65/390 45.5 7.00	71/428 50 7.00	81/488 56.9 7.00	106/636 74.2 7.00	107/643 75 7.00	60/368 45.5 7.42	67/404 50 7.42	75/460 56.88 7.42	100/600 74.2 110 7.42 11.0	61/364 45.5 7.50	66/400 50 7.50	100/600 75 7.50	88/529 75 8.50
Keyboard (LAK) Gear Set includes: Isolator Post (2)	173795 173794-14T 173793-100T 159287 161301	163504 163461-18T 163462-117T 159287 161301	198050 198051-17T 198052-97T 159287 161301	198053 198054-21T 198055-29T 159287 161301	163505 163463-24T 163464-104T 159287 161301	161293 159278-14T 159279-96T 159287 161301	194927 194925-13T 194926-81T 159287 161301	161294 159281-17T 159282-93T 159287 161301	161295 159284-20T 159285-84T 159287 161301	173795 173794-14T 173793-100T 159287 161301	163504 163461-18T 163462-117T 159287 161301	163505 163463-24T 163464-104T 159287 161301	170089 170185-25T 170186-119T 159287 161301
TD Single Base (LCXB) Gear Set includes:	159882 155996-13T 155997-60T	161357 161333-10T 161332-42T	198056 198057-19T 155999-34T	159883 155998-12T 155999-34T	163454 163452-20T 163453-56T	158029 158005-9T 158006-44T	161356 161331-11T 161330-49T	158028 158003-12T 158004-47T	158027 158002-11T 158001-33T	178775 178776-17T 178777-56T	178772 178773-20T 178774-60T	178769 178770-23T 178771-46T	
Dual TD Base (LCXB) Gear Set includes:					199090-20T 199091-56T		195146 195144-11T 195145-49T		170293-11T 170297-49T				170189 170190
Reperforator (LPR or Gear Set LRPE) includes:	173992 173993-14T 173994-40T	163457 163455-20T 163 56-52T			163502 163501-30T 163500-52T	163023 163021-14T 163022-40T	195184 195182-20T 195183-52T	163024 163019-21T 163020-48T	163025 163015-28T 163018-49T				170187 170188
ASR Gear Set (w/Single TD)						*161859 **164583	#194928	*161860 **163584	*161861 **163585				
ASR Gear Set (w/Dual TD)							##195147		##170100				##170088

11698

XERO COPY

XERO COPY

XERO COPY

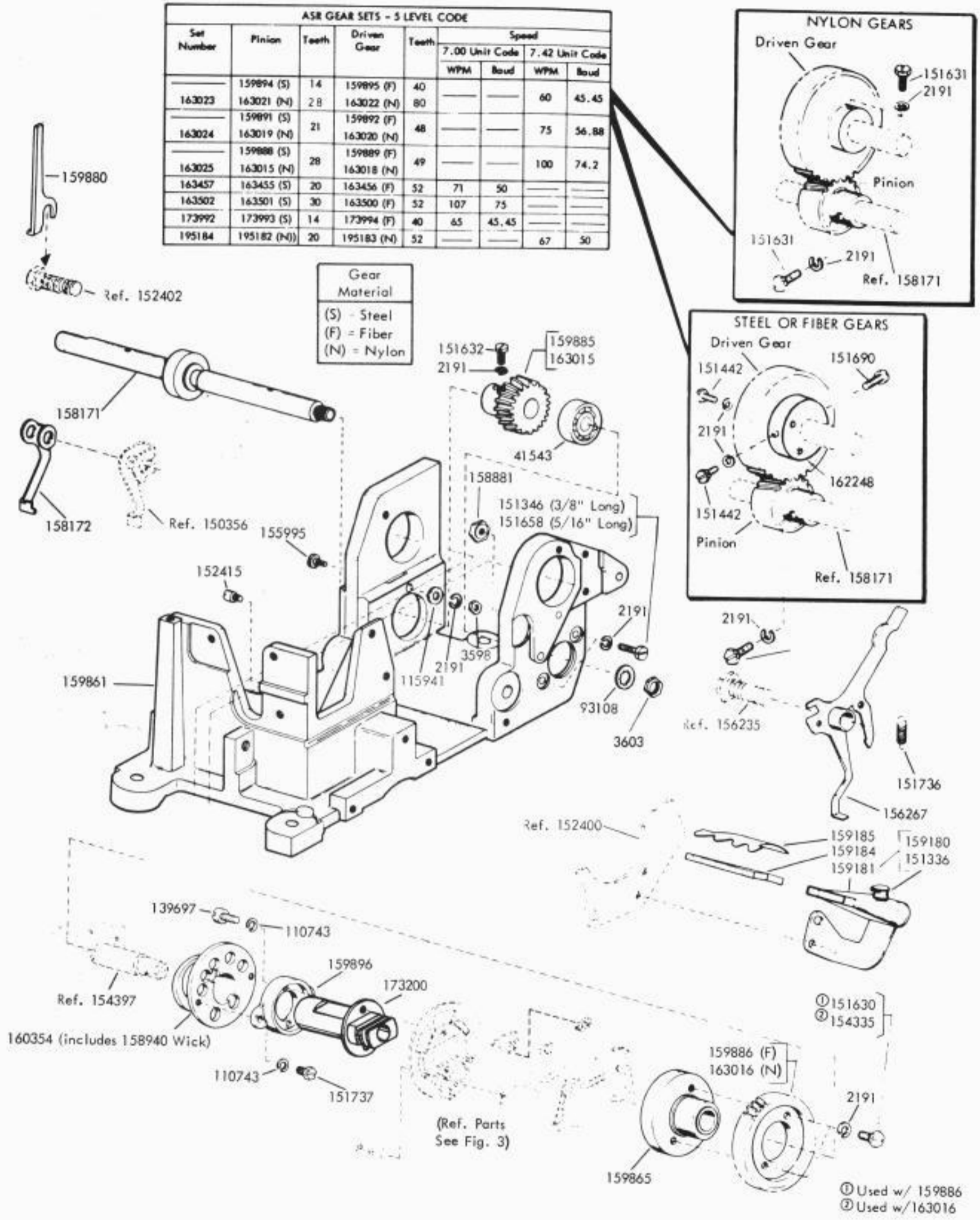


FIGURE 19. TWO-SHAFT FRAME MECHANISM (FOR ASR KEYBOARD)

1167B

GEAR SETS						
SET NUMBER	PINION	DRIVEN GEAR	SPEED			
			7.00 UNIT CODE		7.42 UNIT CODE	
			O.P.M.	W.P.M.	O.P.M.	W.P.M.
159893	159894	159895	300	65	368	60
159890	159891	159892	—	—	460	75
159887	159888	159889	636	106	600	100

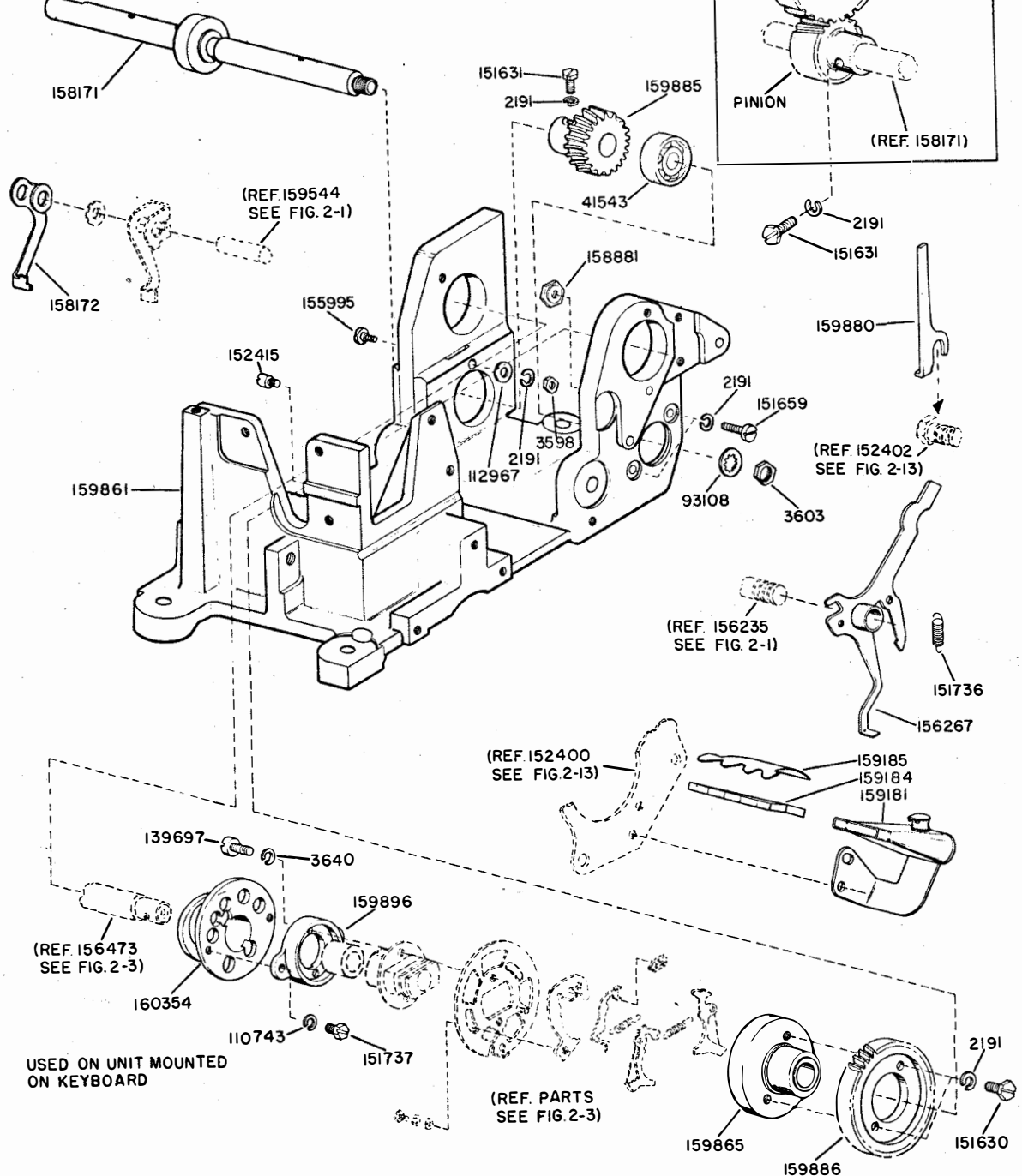
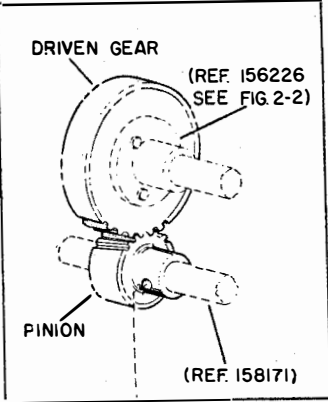


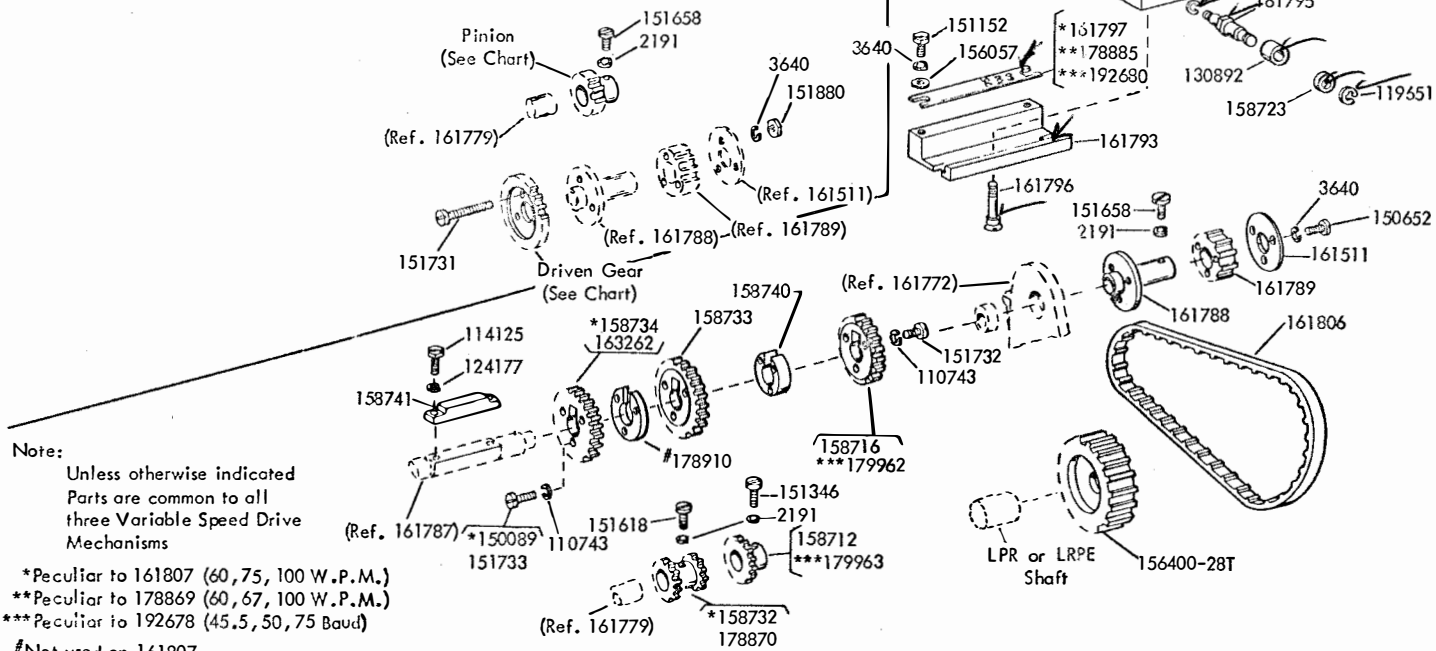
FIGURE 2-29. TWO-SHAFT MECHANISM

SINGLE SPEED DRIVE

GEAR SETS FOR AUXILIARY MOUNTED LPR SETS					
Gear Set No.	Driven Gear	Pinion	Unit Code	W. P. M. (Nominal)	Baud
161811	161790-44T	161784-18T	7.42	60	45.45
161812	161791-47T	161785-24T	7.42	75	56.88
161813	161792-39T	161786-26T	7.42	100	74.2
173820	173822-49T	173821-20T	7.00	65	45.45
1 3448	163447-49T	163446-22T	7.00	71	50
163451	163450-40T	163449-27T	7.00	107	75

VARIABLE SPEED DRIVE

FIGURE 17. AUXILIARY REPERFORATOR BASE GEARING MECHANISM



28 ROTR

1167B

GEAR SETS (ORDER SEPARATELY)						
SET NUMBER	PINION	DRIVEN GEAR	SPEED			
			7.00 UNIT CODE		7.42 UNIT CODE	
			O.P.M.	W.P.M.	O.P.M.	W.P.M.
161519	161104	161103	---	---	404	67 (50 BAUD)
161654	156982	156981	390	65	368	60
161655	156984	156983	---	---	460	75
161656	156986	156985	636	106	600	100

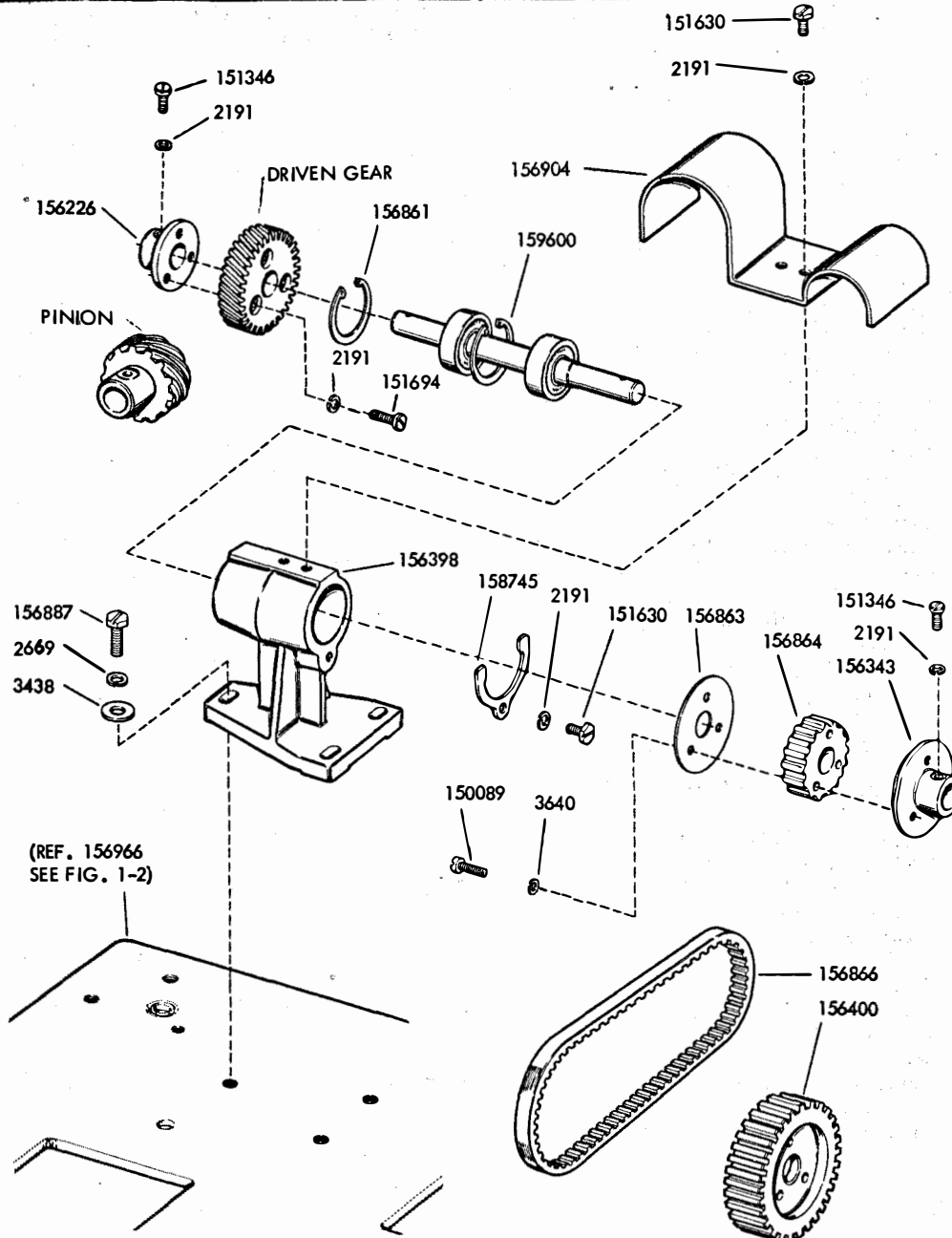
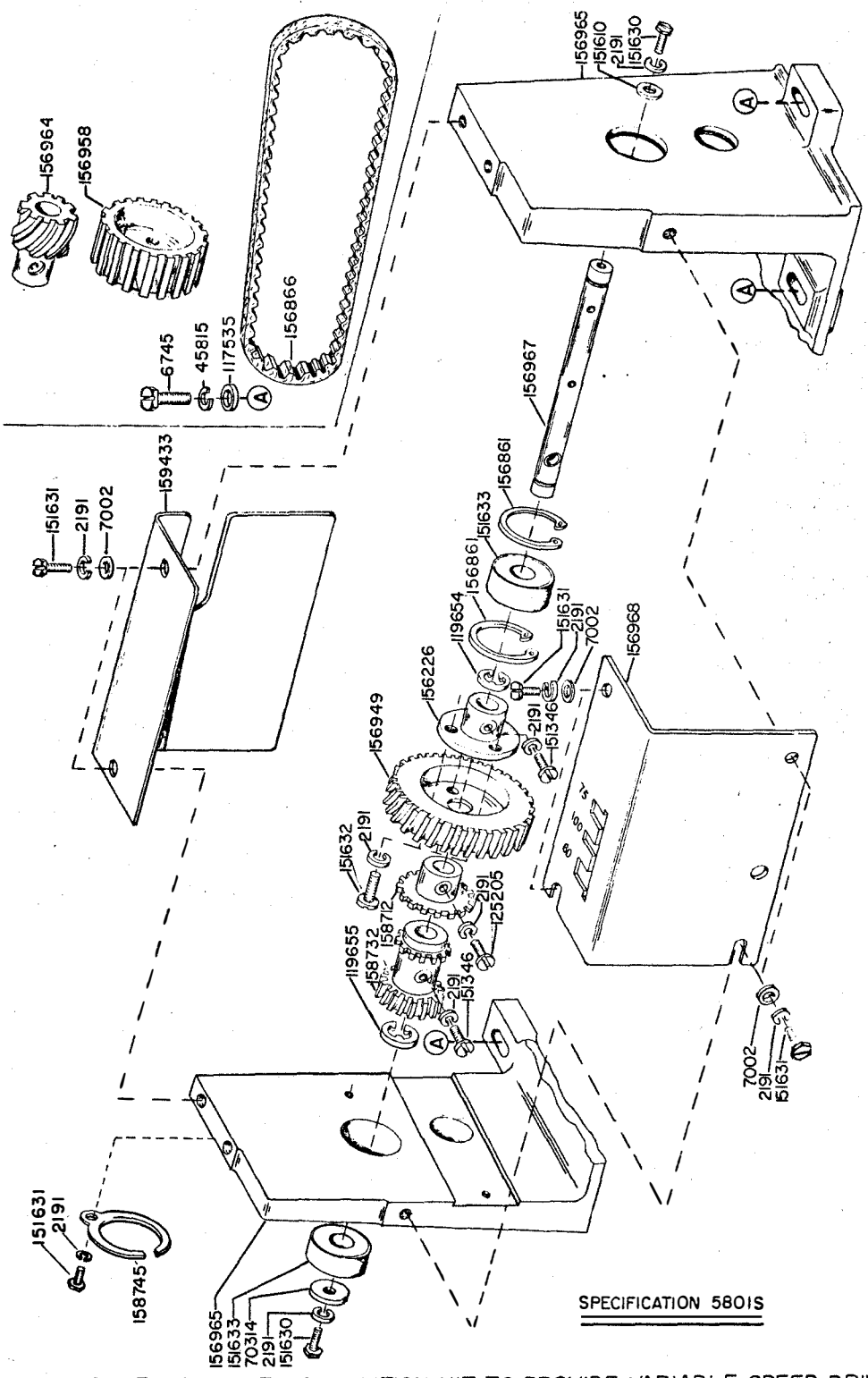


FIGURE 1-5. 159377 MODIFICATION KIT TO PROVIDE SINGLE SPEED DRIVE

11676



SPECIFICATION 5801S

FIGURE I-6. I59417 MODIFICATION KIT TO PROVIDE VARIABLE SPEED DRIVE  
(INCLUDES ALL PARTS ON THIS PAGE AND PAGE I-14)