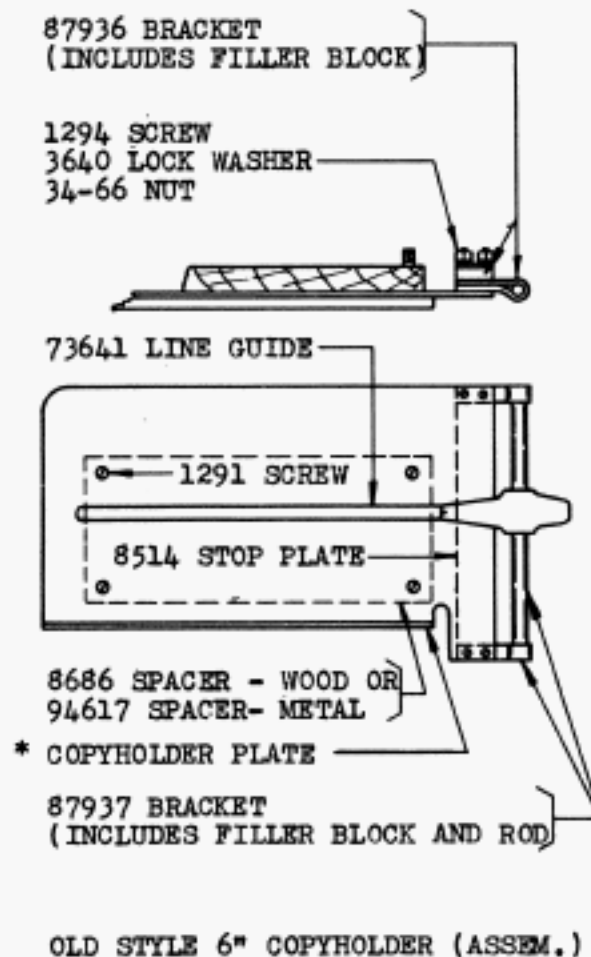
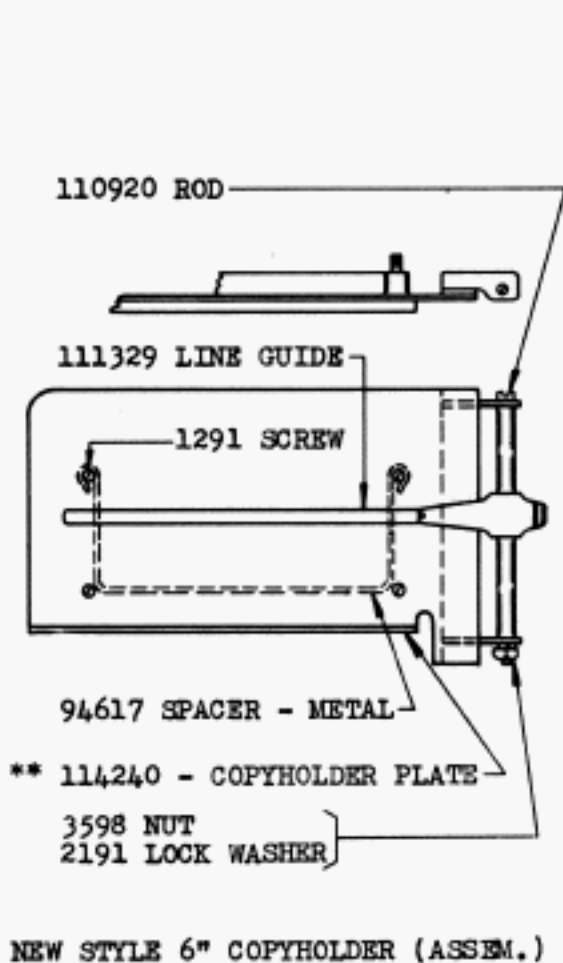


CHANGES, ADDITIONS AND
BELL SYSTEM CODE DESIGNATIONS
FOR 6" COPYHOLDER ASSEMBLIES
SHOWN IN PARTS BULLETINS
1031 (ISSUE 3) MODEL 14 PRINTER
1037 (ISSUE 4) MODEL 15 PRINTER
1063 (ISSUE 2) MODEL 20 PRINTER
1067 (ISSUE 2) MODEL 15 PERFORATOR TRANSMITTER
1082 (ISSUE 2) MODEL 14 TYPING REPERFORATOR

THE 6" COPYHOLDER ASSEMBLIES SHOWN IN THE ABOVE BULLETINS HAVE BEEN REDESIGNED AND ASSIGNED NEW ASSEMBLY NUMBERS. THE SKETCHES BELOW ILLUSTRATE THE DIFFERENCE BETWEEN THE NEW AND OLD ASSEMBLIES, WHICH ARE INTERCHANGEABLE, AND THE CHART LISTS THE NEW AND OLD ASSEMBLY NUMBERS.

THE 8686 SPACER (WOOD) IS NO LONGER AVAILABLE, 94617 SPACER (METAL) WILL BE FURNISHED INSTEAD.

THE 73641 LINE GUIDE HAS BEEN REPLACED BY 111329 LINE GUIDE, WHICH HAS THE CLIP HANDLE BENT FORWARD TO FACILITATE OPERATING THE GUIDE FROM THE FRONT RATHER THAN FROM THE SIDE.



BELL SYSTEM CODE	TELETYPE CODE (NEW ASSEMBLY)		FINISH		TELETYPE CODE (OLD ASSEMBLY)	
	NUMBER	SPACER	COLOR	SUFFIX	NUMBER	SPACER
14A	115700CA	METAL	WALNUT	CA	101275	METAL
14B	115700BA	METAL	BLACK HIGH GLOSS	BA	101276	METAL
14E	115700CB	METAL	MAHOGANY	CB	101277	METAL
14G	115700AC	METAL	LIGHT BROWN WRINKLE	AC	101868	WOOD
14J	115700AD	METAL	DARK BROWN WRINKLE	AD	113419	METAL
14K	115700AA	METAL	BLACK WRINKLE	AA	91752	WOOD
14L	115700AB	METAL	GREY GREEN WRINKLE	AB	—	METAL

* THE OLD STYLE COPYHOLDER PLATE IS NO LONGER AVAILABLE. WHEN IT BECOMES NECESSARY TO REPLACE AN OLD STYLE COPYHOLDER PLATE A NEW STYLE COPYHOLDER PLATE ALONG WITH ONE 110920 ROD, ONE 2191 LOCK WASHER AND ONE 3598 NUT SHOULD BE ORDERED INSTEAD.

** ON ORDERS FOR NEW STYLE COPYHOLDER PLATES, CUSTOMER MUST INDICATE THE COLOR OF FINISH DESIRED BY ADDING A TWO-LETTER SUFFIX TO THE COPYHOLDER PLATE PART NUMBER. FOR EXAMPLE: ORDER "114240CA COPYHOLDER PLATE" WHEN A WALNUT FINISH COPYHOLDER PLATE IS DESIRED. (SEE "FINISH" COLUMN IN CHART ABOVE FOR FINISHES AND THEIR RESPECTIVE SUFFIXES.)