

CHANGES AND ADDITIONS TO
BULLETINS 1067, ISSUE 2 AND 1090, ISSUE 2
PARTS - PERFORATOR TRANSMITTER
MODEL 15

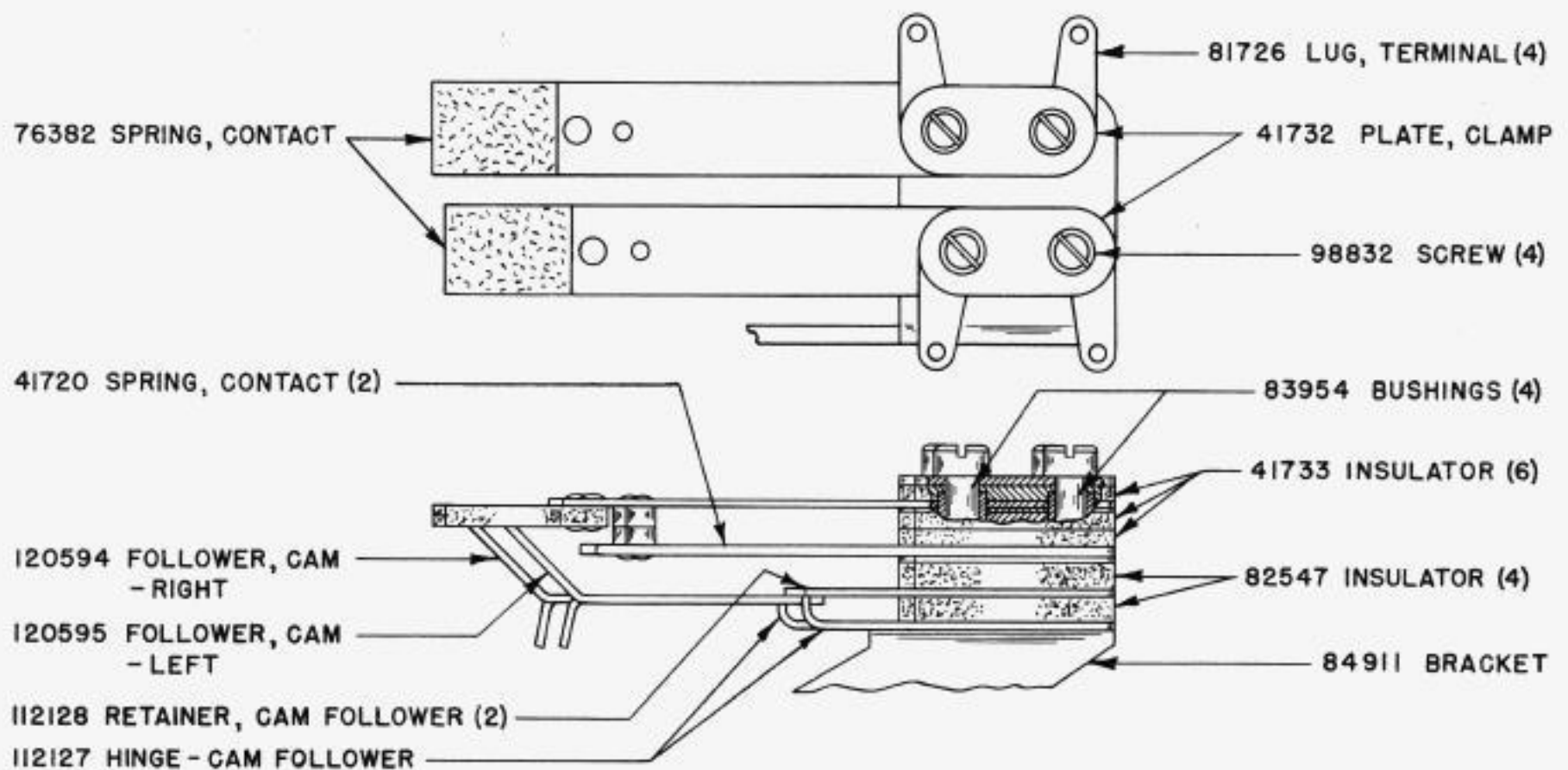
This correction sheet (which replaces EE-547) covers parts ordering information for the 89974 cam pulsing contact (assembly) which has been re-designed but retains its original assembly number.

Following is a list of the old style parts, also a sketch illustrating the new style parts.

84911 Contact Bracket	*82444 Bushing - Bakelite (2)
41720 Contact Spring (2)	82547 Clamping Plate (2)
76382 Contact Spring (2)	*86632 Stiffener (2)
41733 Insulator (8)	*84924 Spring - Front (2)
81726 Terminal (4)	*84923 Spring - Rear (2)
*74952 Screw (2)	

*These five parts are no longer manufactured.

Old style parts not indicated by an asterisk (*) are still available for use with old style assemblies.



89974 CAM PULSING CONTACT (ASSEMBLY)