

TAPE LID SPRING ADJUSTMENT FEED WHEEL DETENT SPRING ADJUSTMENT

APPARATUS AFFECTED: 1A and 2A Tape Readers — DATASPEED.

OBJECT: To facilitate manufacture by increasing the range of spring tension requirements. To improve the quality of the reading contact signal.

CHANGE: The adjustment requirements have been changed as follows:

Refer to Section 592-801-700, Issue 3, September, 1963.

Refer to Teletype Bulletin 267B, Issue April, 1963.

“Tape Lid Spring” — Section 592-801-700, Page 3, and Bulletin 267B, page 3-3, change 2.

Change the requirement of:

Min. 1 oz. — Max. 4 ozs. to read:

Min. 1 oz. — Max. 5 ozs.

To start tape lid moving.

“Feed Wheel Detent Spring” — Section 592-801-700, page 12, and Bulletin 267B, page 3-12, change 2.

Change the requirement of:

Min. 21 ozs. — Max. 25 ozs. to read:

Min. 21 ozs. — Max. 30 ozs.

To move roller away from ratchet.

“(B) Spring Tension — Normally Closed Contact Against Backstop” — Section 592-801-700, page 18, and Bulletin 267B, page 3-18, change 2.

Change the requirement of:

Min. 3 ozs. — Max. 6 ozs. to read:

Min. 4 ozs. — Max. 7 ozs.

To move stationary leaf away from backstop.

“(C) Spring Tension — Normally Closed Contact” — Section 592-801-700, page 18, and Bulletin 267B, page 3-18, change 2.

Change the requirement of:

Min. 25 Grams — Max. 35 Grams to read:

Min. 30 Grams — Max. 50 Grams

To open contact.

CLASSIFICATION FOR APPARATUS FURNISHED BY TELETYPE: The change is now in effect.

APPLICATION TO APPARATUS IN THE FIELD: All units should have the new adjustments applied.

APPLICATION AT W.E.CO. DIST. HOUSE REPAIR SHOPS: All units shall have the new adjustments applied.

**TP149989 BRACKET
AND TP149990 NUT PLATE**

APPARATUS AFFECTED: 1A and 2A Tape Readers — DATASPEED.

OBJECT: To increase the orientation range of the magnetic pickup coil assembly and provide an orientation overlap of the magnetic pickup coil assembly in respect to the magnetic insert of the flywheel. The flywheel assembly can only be positioned in increments of 90 degrees. The present coil mounting bracket only allows about 80 degrees orientation of the pickup coil.

CHANGE: The TP171285 nut plate and TP171286 coil mounting bracket have been replaced by a TP149990 nut plate and a TP149989 coil mounting bracket.

The new style TP149989 coil mounting bracket has two formed ear sections to which the 261M coil assembly can be mounted and each ear is about 19 degrees from the bracket center line. The pickup coil may be optionally mounted on either of the coil mounting ear sections. The added 19 degree displacement of the coil position will enable establishing an orientation overlap of the pickup coil relative to the insert of the flywheel at either the leading or trailing end of the transmitted signal.

The new style TP149990 nut plate has an over-all length of about 13/16 (.818) inches. The old style TP171285 nut plate has an over-all length of about 1-1/4 (1.251) inches.

Figure 1 illustrates the old and new style brackets. The new style bracket requires the addition of preliminary assembly information to the bulletins and practices which are as follows:

Section 592-801-700, page 23, issue 3, "Magnet Pickup"

Bulletin 267B, page 3-23, change 2, "Magnet Pickup"

Add to (2) Requirement, after To Adjust, this "Note":

"For units equipped with the TP149989 coil mounting bracket, it may be necessary to mount the pickup coil on either the upper or lower mounting ear to obtain an orientation overlap."

Refer to Teletype Bulletin 1176B, page 1-2, change 2.

Refer to Section 592-801-700, page 23, issue 3, "Magnet Pickup."

Refer to Teletype Bulletin 267B, page 3-23, change 2, "Magnet Pickup."

SECTION 592-801-700.02

IDENTIFICATION: See "CHANGE".

INTERCHANGEABILITY: New and old style brackets and nut plates are not individually interchangeable, but are interchangeable in pairs or sets.

CLASSIFICATION FOR APPARATUS FURNISHED BY TELETYPE: The change will be incorporated as soon as manufacturing conditions permit. This is expected to be about September, 1964.

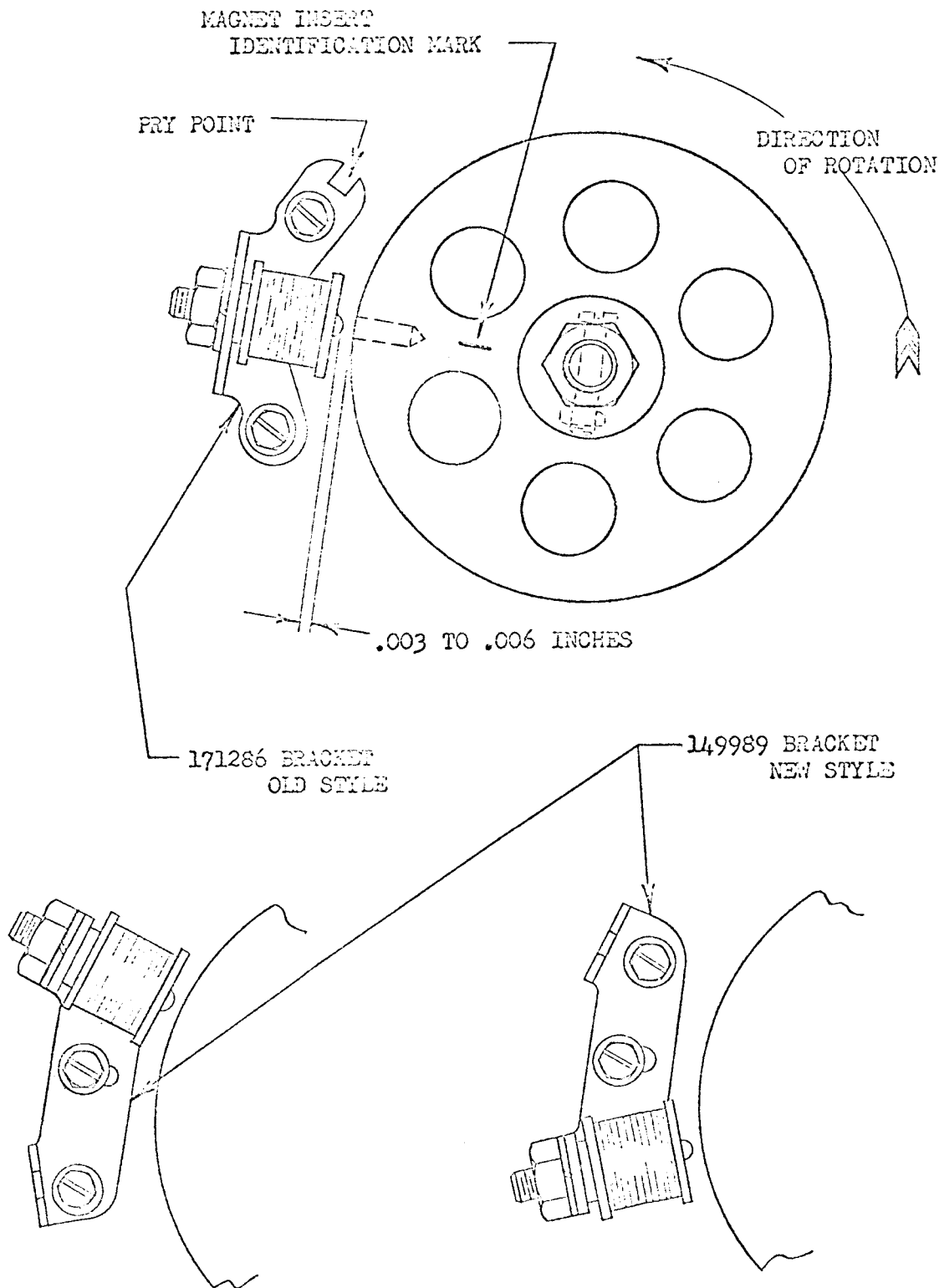
W.E.CO. STOCK OF OLD STYLE PARTS: May be furnished.

APPLICATION TO APPARATUS IN THE FIELD: Should be incorporated in all apparatus where an extended range may be required to meet specified adjustments or pickup coil orientation requirements.

APPLICATION AT W.E.CO. DIST. HOUSE REPAIR SHOPS: All units shall be equipped with new style parts, if parts involved require replacement, or if parts are disassembled for other reasons.

AVAILABILITY: New style brackets are expected to be available during September, 1964.

Figure 1



NOTIFICATION OF CHANGE IN TELETYPE APPARATUS
TP125258 COILED EXTENSION SPRING

APPARATUS AFFECTED: 1A and 2A Tape Readers (DATASPEED).

OBJECT: To facilitate assembly.

CHANGE: The TP86304 spring has been replaced by a TP125258 spring.

The old style TP86304 spring is 0.387 inch long, measured over the loop ends, 0.148 inch diameter and has seven turns.

The new style TP125258 spring is 0.531 inch long, measured over the loop ends, 0.190 inch diameter and has nine and one-half turns.

Refer to Teletype Bulletin 1176B, dated January, 1963, page 1-8, change 2.

The detent lever spring requirement has been changed from min. 20 ozs. — max. 30 ozs. to min. 15 ozs. — max. 30 ozs.

Refer to Teletype Bulletin 267B, page 3-24, change 2.

IDENTIFICATION: See "CHANGE".

INTERCHANGEABILITY: Old style and new style springs are interchangeable.

CLASSIFICATION FOR APPARATUS FURNISHED BY TELETYPE: This change is now in effect.

W.E.CO. STOCK OF OLD STYLE PARTS: May be furnished.

APPLICATION TO APPARATUS IN THE FIELD: Old style parts giving satisfactory service need not be replaced.

APPLICATION AT W.E.CO. DIST. HOUSE REPAIR SHOPS: Units may be equipped with new or old style parts.

AVAILABILITY: New style TP125258 spring will be available in December, 1964.

SENSING FINGER SPRING TENSION REQUIREMENT

APPARATUS AFFECTED: 1A and 2A Tape Readers (DATASPEED).

OBJECT: The sensing finger spring tension was increased to eliminate the need to hold away the code reading contact when checking the sensing finger spring tension.

CHANGE: The sensing finger spring tension requirement has been changed to read:

From:

With sensing fingers in uppermost position, code reading contact springs held away:

Min. 2½ ozs. — Max. 5 ozs.

To move sensing finger flush with tape guide plate.

To:

With sensing fingers in uppermost position,

Min. 2½ ozs. — Max. 6 ozs.

To move sensing finger flush with tape guide plate.

Refer to Section 592-801-700, issue 3, page 8.

IDENTIFICATION: Not affected.

INTERCHANGEABILITY: Not affected.

CLASSIFICATION FOR APPARATUS FURNISHED BY TELETYPE: This change is now in effect.

W.E.CO. STOCK OF OLD STYLE PARTS: Not affected.

APPLICATION TO APPARATUS IN THE FIELD: The new requirement may be applied to all units.

APPLICATION AT W.E.CO. DIST. HOUSE REPAIR SHOPS: The new requirement shall be applied.