

BELL SYSTEM PRACTICES
Teletypewriter and Data Stations

SECTION P34.316
Issue 2*, October, 1961
AT&TCo Standard

28 SEQUENCE SELECTOR UNITS

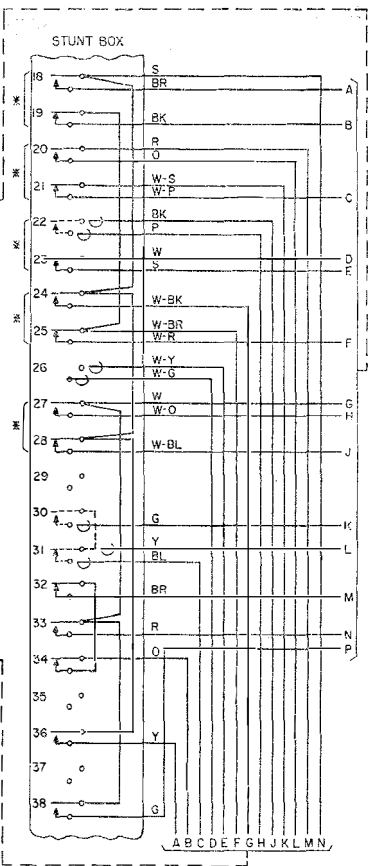
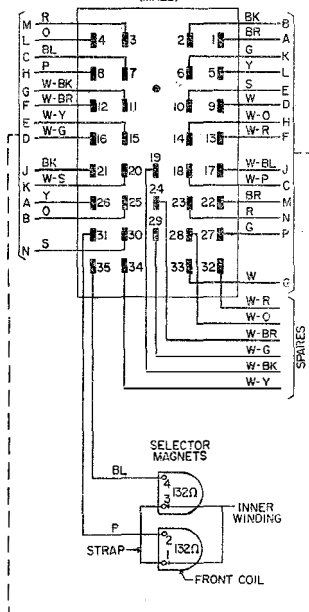
WIRING DIAGRAM

1. GENERAL

1.01 This section shows the wiring of the 28A and 28D sequence selector units. The wiring for the 28A sequence selector unit was formerly found in P34.301.

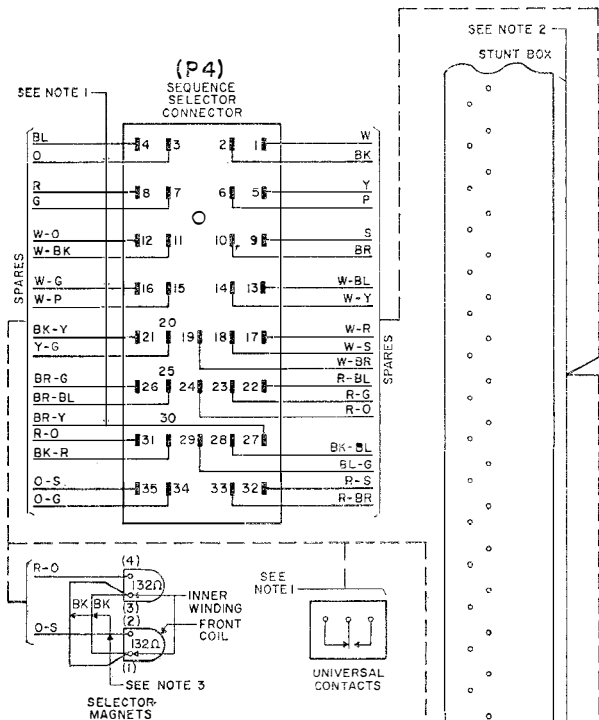
*Issue 1 of this section covered the wiring diagram for the 28B Perforator-Transmitter-Base. This material has been transferred to P34.307.

(P4)
SEQUENCE
SELECTOR
CONNECTOR
(MALE)



- NOTES:
1. * BOTH CONTACTS OF A PAIR OPERATE FROM THE FUNCTION LEVER IN THE HIGHER NUMBER SLOT.
 2. DOTTED CONTACTS ARE OPTIONAL AND ARE PROVIDED WHEN SPECIFIED. WIRING IS RUN FOR ALL OPTIONAL FEATURES.

28A Sequence Selector Unit



NOTES:

- 1 THESE LEADS FOR UNIVERSAL CONTACTS WHICH CUSTOMER IS TO PROVIDE AS DESIRED.
2. NO CONTACT BLOCKS ARE PROVIDED (THESE ARE TO BE PROVIDED LOCALLY AS REQUIRED).
3. UNIT WIRED FOR .020 AMP. NEUTRAL SIGNAL LINE OPERATION; FOR 0.60 AMP OPERATION MOVE O-S LEAD FROM TERMINAL (2) OF THE SELECTOR MAGNETS TO TERMINAL (3), ALSO MOVE ENDS OF ONE BLACK JUMPER FROM TERMINAL (1) TO (2) AND END OF OTHER JUMPER FROM TERMINAL (3) TO (4)

28D Sequence Selector Unit