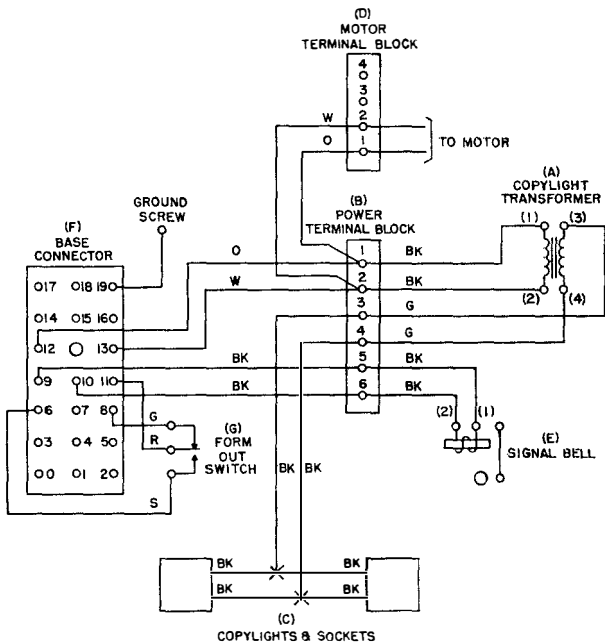


# 28LA APPARATUS CABINET WIRING DIAGRAM

## 1. GENERAL

1.01 This section shows the wiring for the 28LA apparatus cabinet.



**28LA Apparatus Cabinet**