

INSTRUCTIONS FOR INSTALLING THE 193941\*\* MODIFICATION  
KIT TO PROVIDE FORCED VENTILATION FOR MODEL 28  
UNIVERSAL CABINETS (LBAC\*\*)

1. GENERAL

- a. The 193941\*\* Modification Kit provides forced ventilation for the equipment in the Model 28 Universal Cabinet (LBAC\*\*).
- b. With some of the Cabinets (LBAC\*\*) internal equipment will not permit flush mounting of 193942 Fan Assembly. The 193944 Fan Mounting Extension, 151657 Screws, 2191 Lock Washers and 3598 Nuts are included to provide a raised mounting of the fan assembly.

NOTE

If the 193942 Fan Assembly is to be flush mounted, discard the 193944 Fan Mounting Extension, the 151657 Screws and four of the eight 3598 Nuts and 2191 Lockwashers.

c. The two asterisks (\*\*) indicate a two letter (two digit for Bell System) suffix for the paint finish.

d. The 193941\*\* Modification Kit consists of:

|   |       |              |   |        |                    |
|---|-------|--------------|---|--------|--------------------|
| 8 | 2191  | Washer, Lock | 4 | 151657 | Screw              |
| 8 | 3598  | Nut          | 1 | 193942 | Fan Assembly       |
| 4 | 82702 | Screw        | 1 | 193943 | Power Cord w/Fuses |
|   |       |              | 1 | 193944 | Extension Fan Mtg. |

e. For parts ordering information refer to Teletype Model 28 Parts Bulletins 1149B, 1167B, and 1168B.

2. INSTALLATION

- a. When the cabinet cover has a fan opening and cover plate, remove the cover plate by bending clips. Discard the cover plate.
- b. When it is necessary to cut the rectangular opening in the cabinet cover use the template shown on Figure 1. Remove the cover from the cabinet in order to cut the opening and drill the holes. Make certain no metal chips fall into the cabinet.
- c. Use Figure 1 as a template or note dimension working on the underside of the cover. Align dimensions shown with the edges of the cover.

- (1) Drill or punch four 0.144 inch diameter holes as shown on Figure 1.
- (2) Cut the rectangular opening in the cover per Figure 1.

d. Flush mount the fan assembly as follows:

- (1) Attach the spring steel mounting clips to the cover as shown on Figure 2 with the 82702 Screws, 2191 Lock Washers and 3598 Nuts.
- (2) Replace the cover on the cabinet if necessary.
- (3) Solder the skinned and tinned leads of the 24 inch side of the power cord to the fan terminals.
- (4) Insert the fan block between the clips so that the formed guide rails on the clips enter the slots in the block. The terminals of the fan should be to the rear corner of the opening. Push the block in until the lugs in the clips snap into the four recesses in the block shown as recess 1 in Figure 2. The block is then locked in place.

NOTE

For removal of the block, pry the spring tabs carrying lugs away from the block with a screwdriver. The block should then be drawn out, not pushed in.

- (5) Press the grille assembly down between the clips as far as it will go. Retaining fingers on the clips hold the grille assembly in place.

CAUTION NOTE

Make certain that fused side of the cable assembly is connected to the "Hot", not grounded side, of input terminals.

- (6) Route the cable to a source of 115 volts A.C. power in the cabinet, cut to length if necessary, and connect to power input terminals.
- (7) Tie cable to appropriate chassis points.

e. For raised mounting do the following:

- (1) Attach the 193944 Fan Mounting Extension over the opening in the cabinet cover using the 151657 Screws, 2191 Lock Washer and 3598 Nuts.

(2) Attach the spring steel mounting clips, supplied with the fan, to the fan mounting extension as shown on Figure 3 using the 82702 Screws, 2191 Lock Washers, and 3598 Nuts.

(3) Follow instructions given in Paragraphs 2.a. through 2.e.

### 3. ADJUSTMENTS AND LUBRICATION

a. For standard adjustments and lubrication procedure see Teletype Model 28 Bulletin 217B (Bell System refer to standardized information).

b. The 193941 Modification Kit has no adjustments.

c. Lubricate the fan of the kit once a year as follows with the 194853 oil injector (not furnished with kit and must be ordered separately).

(1) Remove cap from end of oil injector.

(2) Place needle at the center of circle marked on the gold label of the fan.

(3) Position the needle at an angle of approximately 45 degrees to the surface of the label.

(4) Pierce the label and the concealed selfsealing rubber cap located under the label.

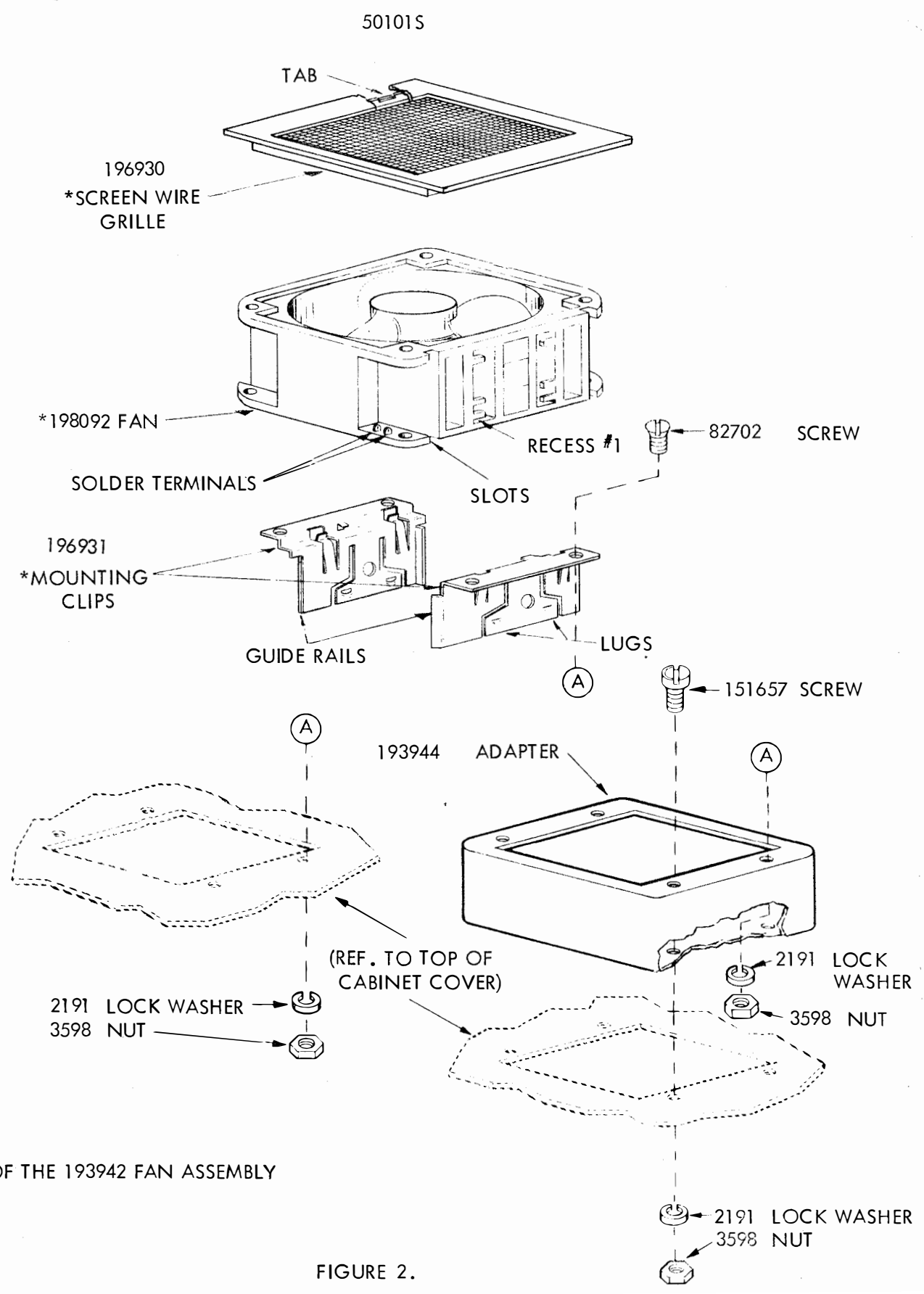
(5) Depress the plunger of the oil injector slowly, allowing approximately 1/8" of oil to escape.

\*

\*

\*





\*PART OF THE 193942 FAN ASSEMBLY

FIGURE 2.