

INSTRUCTIONS FOR INSTALLING 407060 (80-COLUMN) AND 407061 (132-COLUMN)
PAPER GUIDES TO 40CAB351, 40CAB352 (80-COLUMN), AND 40CAB353 (132-COLUMN)
TRACTOR FEED PRINTER CABINETS

INSTRUCTIONS TO EQUIP 40CAB351 AND 40CAB352 (80-COLUMN) TRACTOR FEED
PRINTER CABINETS WITH 407200 MODIFICATION KIT TO FACILITATE HANDLING
SINGLE-PLY FANFOLD PAPER

1. GENERAL

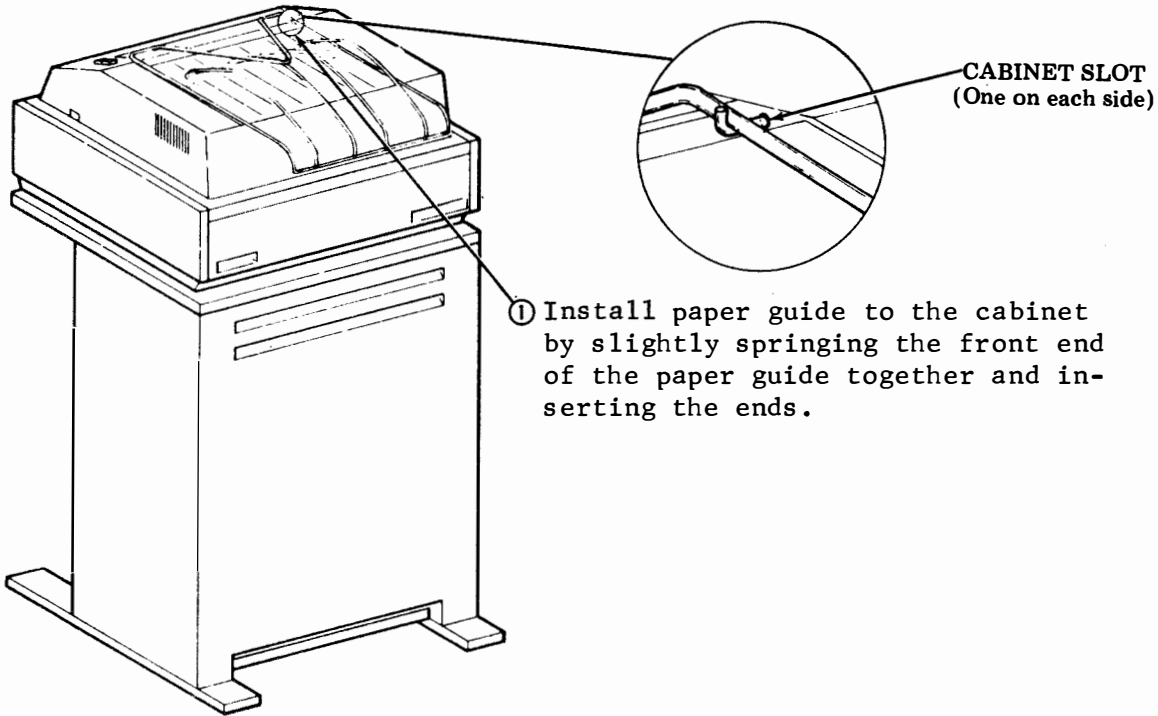
- 1.01 The 407060 (80-column) and 407061 (132-column) paper guides are used to prevent single-ply fanfold paper from clinging to cover and piling on top when environmental conditions cause static build-up in the paper.
- 1.02 The 407060 (80-column) and 407061 (132-column) paper guides are basically an extension of the cover, and guide the paper clear of the unit where it can be dropped to the floor, provided that there is adequate space behind the unit.
- 1.03 When multiple copy fanfold paper form is used, refer to 2.04 for installation information.
- 1.04 The 407200 modification kit is used to equip early production 80-column tractor feed printer cabinets, 40CAB351 and 40CAB352 series, to facilitate handling single-ply fan.
- 1.05 The 407200 modification kit consists of the following parts:

<u>Qty.</u>	<u>Part No.</u>	<u>Description</u>
1	407060	Guide, paper
1	407062	Clip, window

RTTY ELECTRONICS
TELETYPE=Sales-Service-Parts
PO Box 20101 El Sobrante, Ca.
94820. (510)222-3102
mr_rtty@pacbell.net

2. INSTALLATION

2.01 Installation of 407060 (80-column) and 407061 (132-column) paper guides are identical.

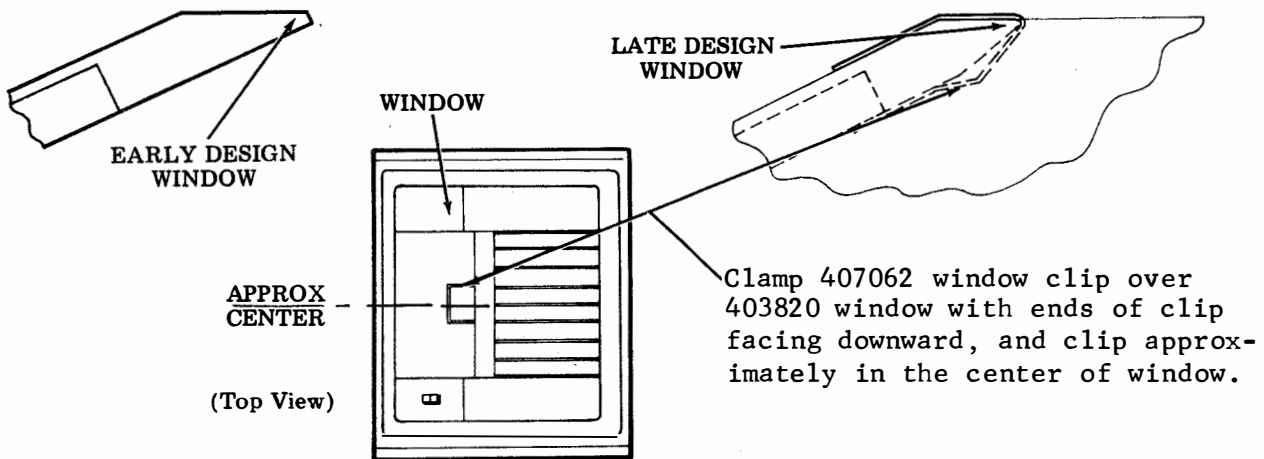


2.02 Installation of 407200 modification kit requires the following steps:

Step 1. Install 407060 paper guide per instructions in 2.01.

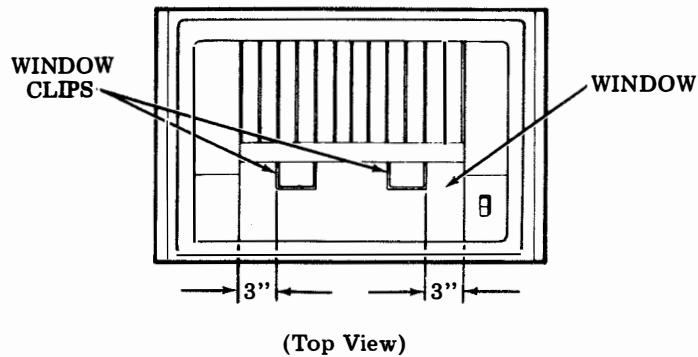
Step 2. Install 407062 window clip as shown below.

Note: The 407062 window clip can only be used on the late design 403820 window.



40CAB351/AA, AB, AC, and ZZ
40CAB352/RA and RC

2.03 The two 407062 window clips on the window of the 132-column tractor cabinet should be checked for location.



2.04 When utilizing multiple copy fanfold paper, 407060 (80-column) paper guide and 407061 (132-column) paper guide can be used to route the forms clear of unit to accumulate on the floor or the floor mounted 405544 paper rack.

Note: Existing (early design) 405542 (132-column) or 405543 (80-column) paper guides can still be used for multiple copy fanfold paper.

