

INSTRUCTIONS FOR INSTALLING THE 402845 MODIFICATION KIT
ON A MODEL 40 PRINTER RIBBON FEED MECHANISM

1. GENERAL

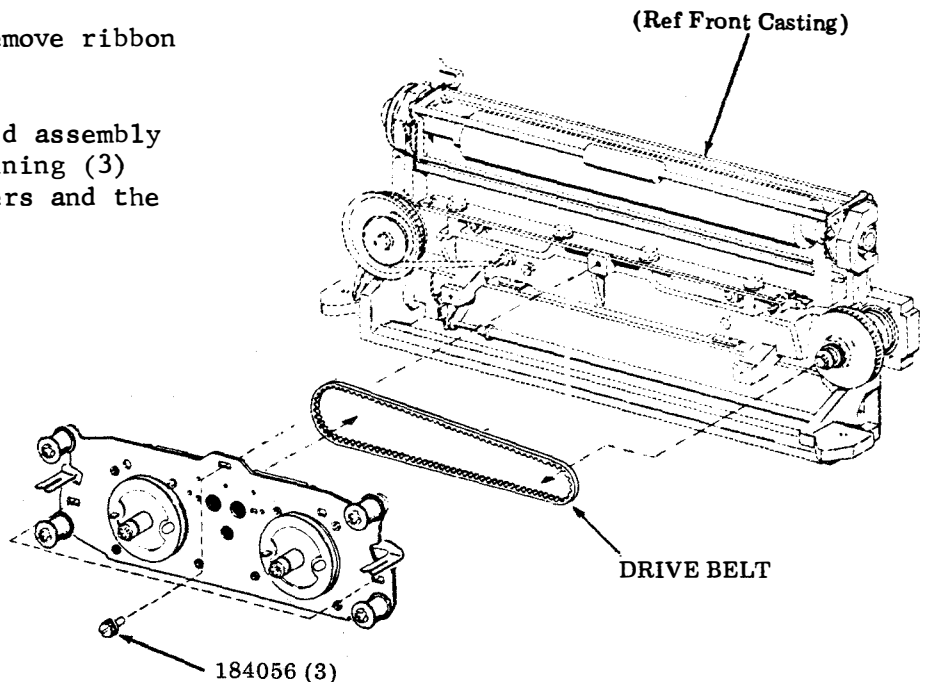
- 1.01 The 402845 Modification Kit when installed on a Model 40 Printer Ribbon Feed Mechanism provides an improved method of retaining the ribbon spools and a more consistent drag to keep the ribbon at its proper tension.
- 1.02 The 402845 Modification Kit can be installed on any Model 40 Friction Feed or Tractor Feed Printer having a ribbon feed mechanism.
- 1.03 The 402845 Modification Kit consists of two 402816 Spool mounting Disc Assemblies. Each 402816 Spool Mounting Disc Assembly consists of:

110743	Lockwasher	402843	Bushing
150411	Flat Washer	402844	Spool Mounting Disc
151880	Nut	402847	Flat Washer
400446	Friction Disc	402869	Felt Washer
402841	Post	402870	Spacer
402842	Spring Clip	402874	Spring

2. INSTALLATION

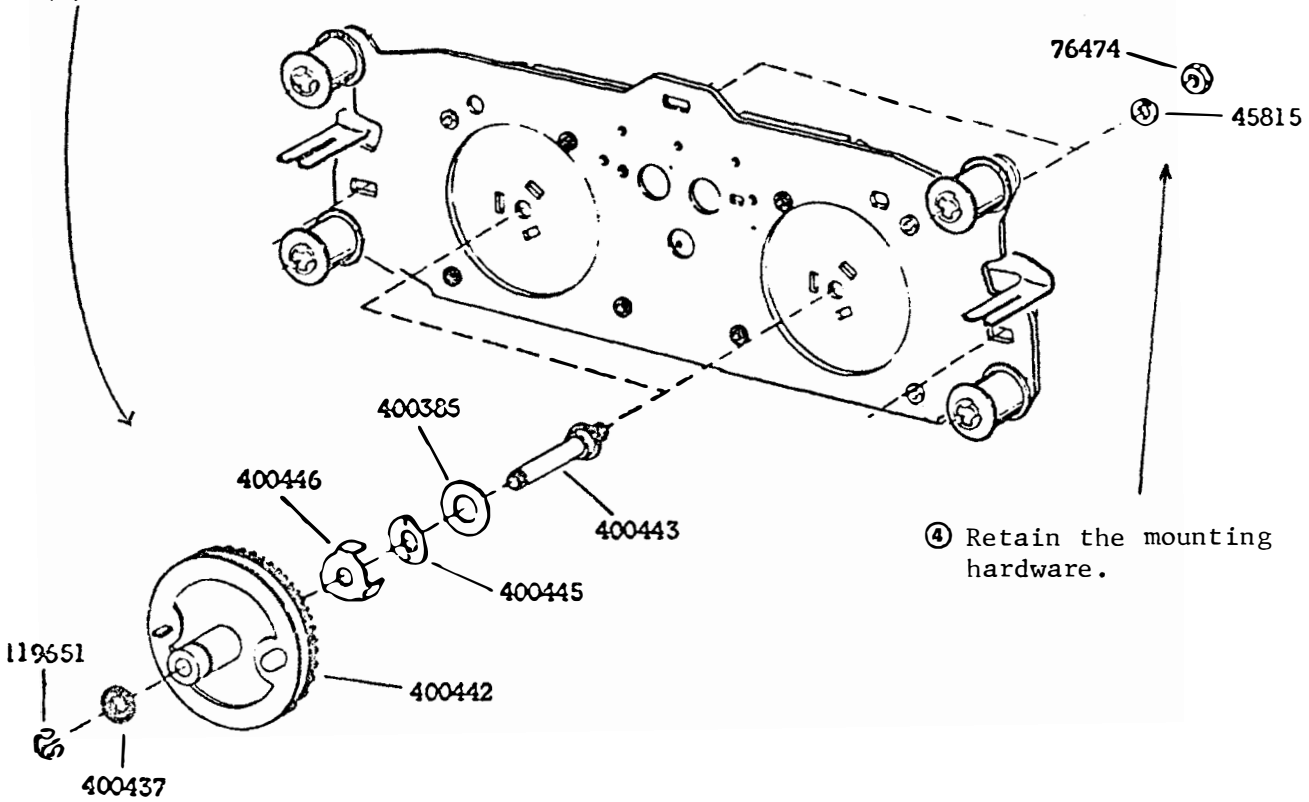
- 2.01 Installation of 402845 Modification Kit on a Model 40 printer requires the following steps:

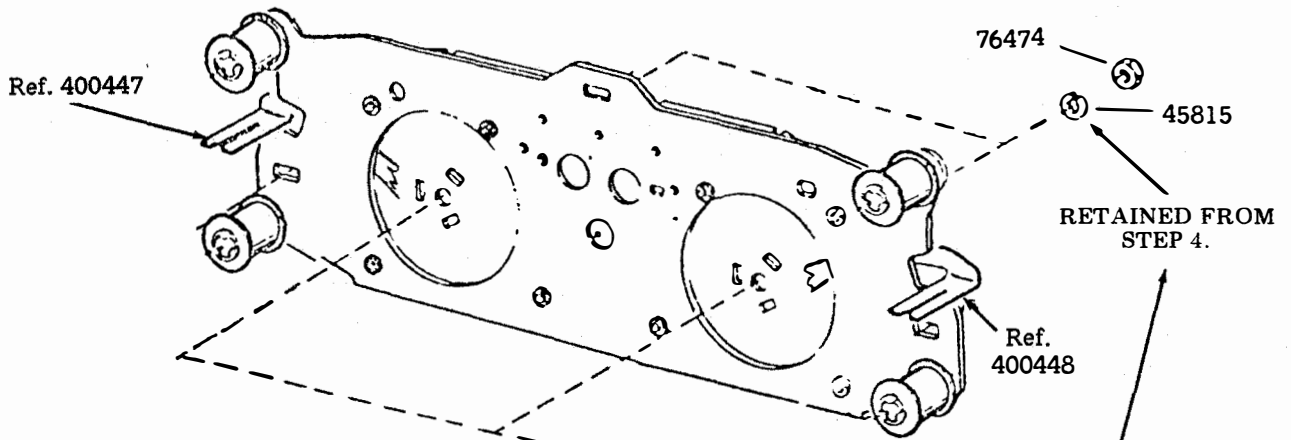
- ① With ac power off, remove ribbon w/spools and retain.
- ② Remove the ribbon feed assembly by removing and retaining (3) 184056 screws w/washers and the drive belt.



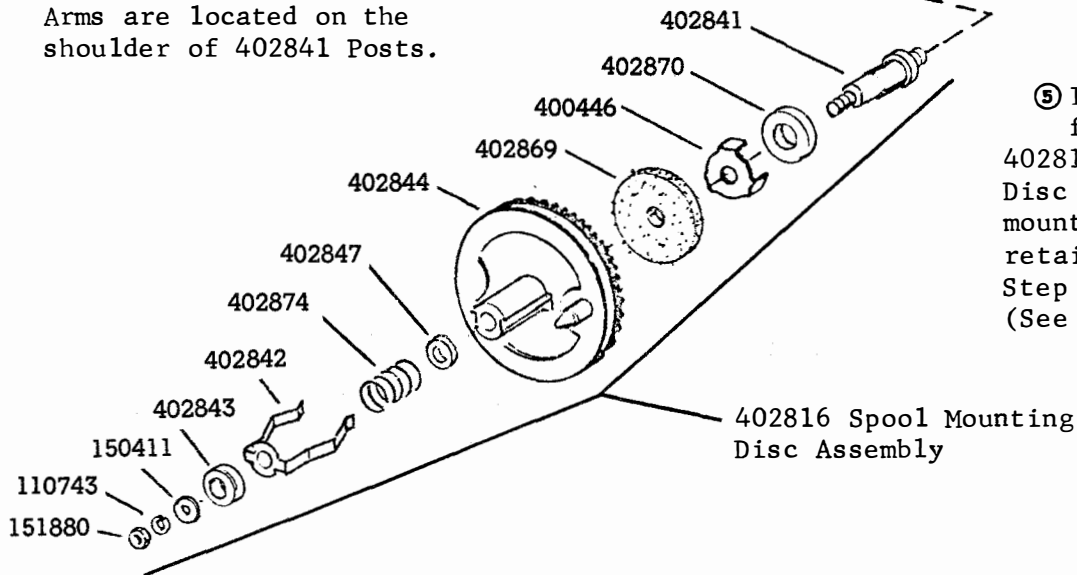
③ Remove from the ribbon feed assembly and discard the following:

- (2) 400443 Post
- (2) 119651 Retaining Ring
- (2) 400437 Bushing
- (2) 400442 Spool Mounting Disc
- (2) 400446 Friction Disc
- (2) 400445 Spring Washer
- (2) 400485 Washer





Note 1: Make sure that 400447 and 400448 Sensing Arms are located on the shoulder of 402841 Posts.



⑤ Install the furnished (2) 402816 Spool Mounting Disc Assemblies using mounting hardware retained from Step 4. (See Note 1.)

⑥ Install the ribbon feed drive belt and the ribbon feed assembly to the printer using the (3) 184056 screws w/washers previously removed from Step 2. (See Ribbon Feed Drive Belt Tension adjustment requirement in Part 3 and Lubrication in Part 4.)

3. ADJUSTMENT

3.01 Ribbon Mechanism Drag requirement is no longer required, however the Ribbon Feed Drive Belt Tension adjustment requirement must be checked.

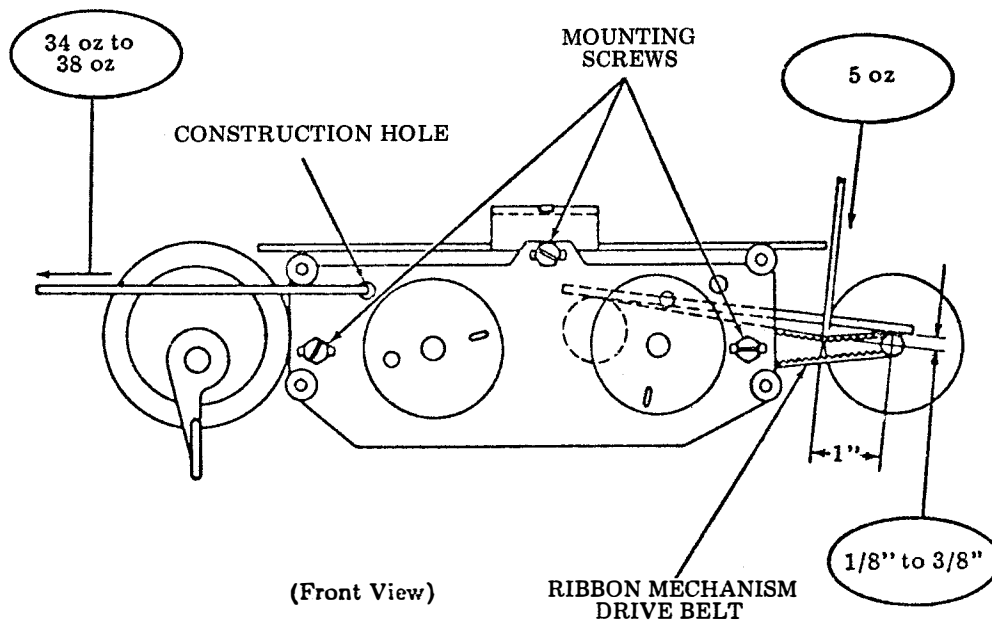
3.02 Ribbon Feed Drive Belt Tension

Requirement

With a force of 5 oz applied perpendicular to the drive belt approximately 1" from right pulley, belt should deflect 1/8" to 3/8" from a line tangent to both pulleys.

To Adjust

Loosen mounting screws to allow mechanism to move freely to right or left. Pull against construction hole to left with a force of 34 oz to 38 oz. Tighten mounting screws with tension applied.

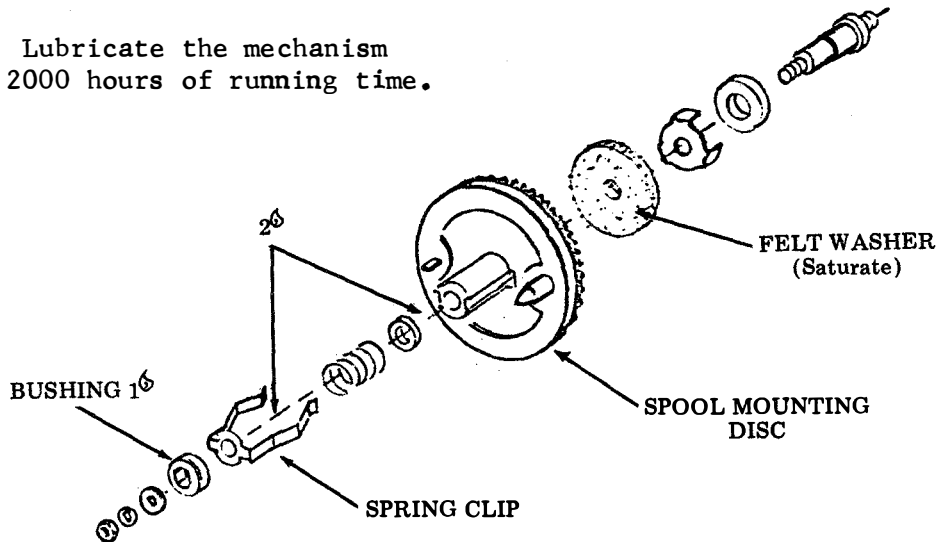


4. LUBRICATION

4.01 Refer to the appropriate lubrication section for printer lubrication of the ribbon feed mechanism. The following additional lubrication is required:

4.02 Apply one drop of oil to each of the bushings at the top of each post, and two drops of oil between the spring clip and the spool mounting disc.

Note: Lubricate the mechanism every 2000 hours of running time.

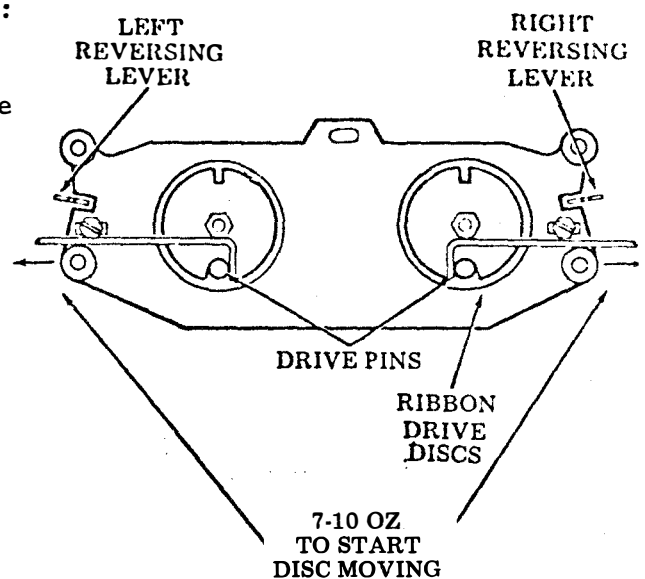


4.03 Saturate each ribbon feed felt washer with oil. The oil may be applied to felt washer through the hole in each spool mounting disc and through the two rectangular holes next to each spindle.

5. TESTING

5.01 Check ribbon mechanism drag as follows:

It should take 7 to 10 ounces to start the free wheeling ribbon feed drive disc moving when pulling tangentially on its drive pin. To check the other ribbon drive disc, reverse the ribbon feed mechanism by pulling up on the reversing lever adjacent to the free wheeling drive disc and manually rotate the impeller shaft clockwise as viewed from the right side of the printer until reversal occurs. The other ribbon feed drive disc is now the free wheeling disc and may be checked.



SPECIFICATION 50,841S

5.02 If the ribbon feed assembly fails to meet the 7 to 10 ounce drag, check to make sure that the parts have been assembled properly or that it has been properly lubricated.

Note: After initial run-in of printer with Mod Kit installed, it is normal for ribbon mechanism drag to increase up to 12 ounces.

5.03 Install ribbon previously removed in Installation, replace with new ribbon if necessary and restore ac power to the printer.

*

*

*